



Chipsmall Limited consists of a professional team with an average of over 10 year of expertise in the distribution of electronic components. Based in Hongkong, we have already established firm and mutual-benefit business relationships with customers from,Europe,America and south Asia,supplying obsolete and hard-to-find components to meet their specific needs.

With the principle of “Quality Parts,Customers Priority,Honest Operation,and Considerate Service”,our business mainly focus on the distribution of electronic components. Line cards we deal with include Microchip,ALPS,ROHM,Xilinx,Pulse,ON,Everlight and Freescale. Main products comprise IC,Modules,Potentiometer,IC Socket,Relay,Connector.Our parts cover such applications as commercial,industrial, and automotives areas.

We are looking forward to setting up business relationship with you and hope to provide you with the best service and solution. Let us make a better world for our industry!



Contact us

Tel: +86-755-8981 8866 Fax: +86-755-8427 6832

Email & Skype: info@chipsmall.com Web: www.chipsmall.com

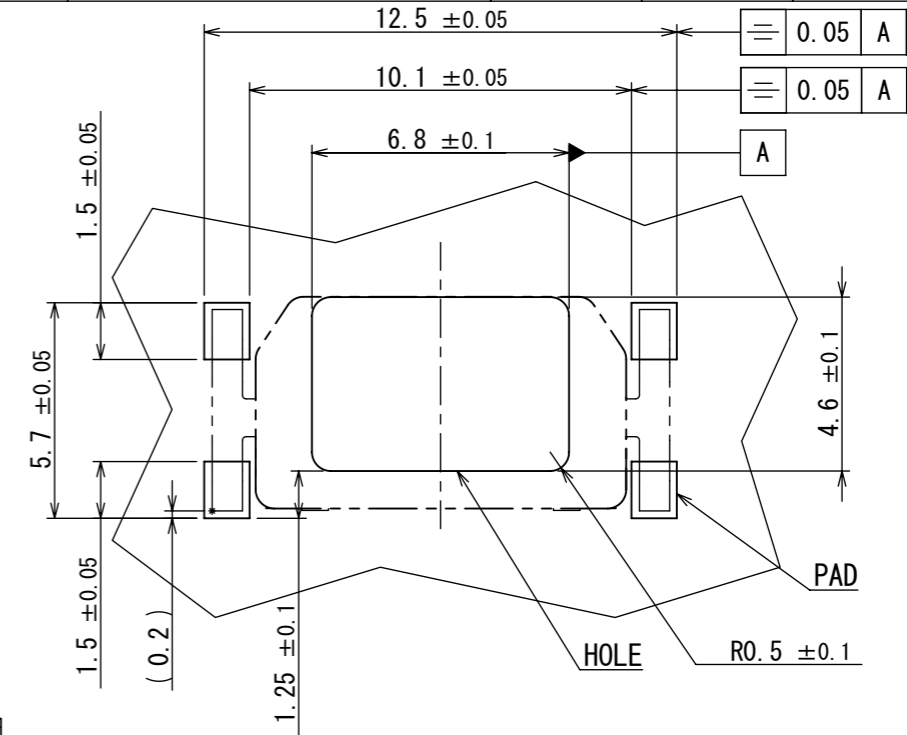
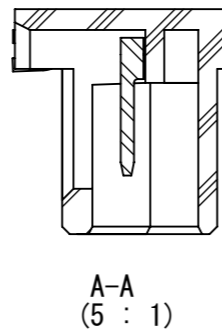
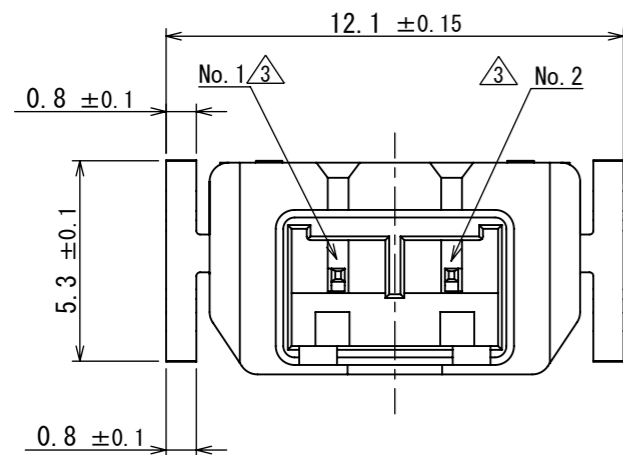
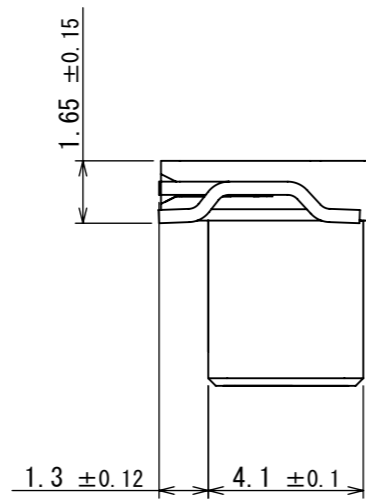
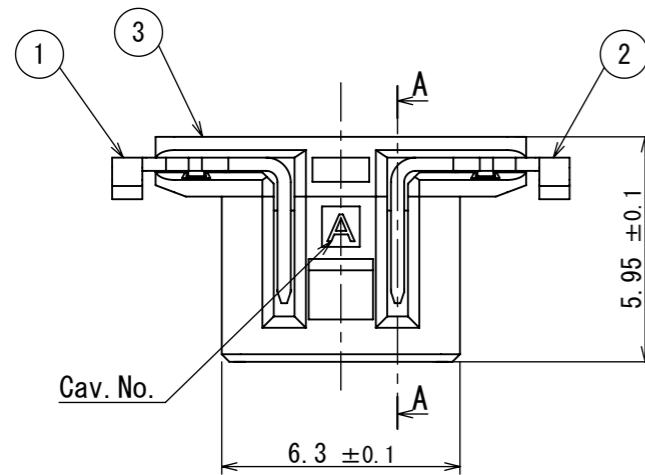
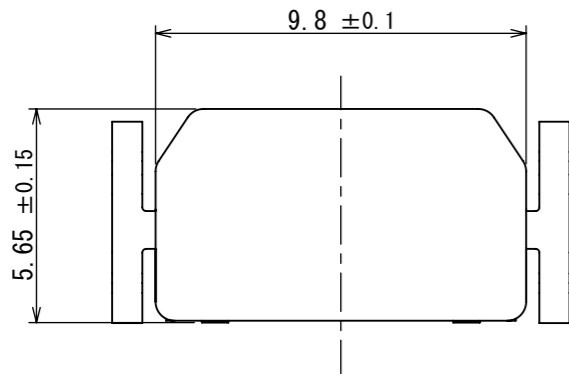
Address: A1208, Overseas Decoration Building, #122 Zhenhua RD., Futian, Shenzhen, China



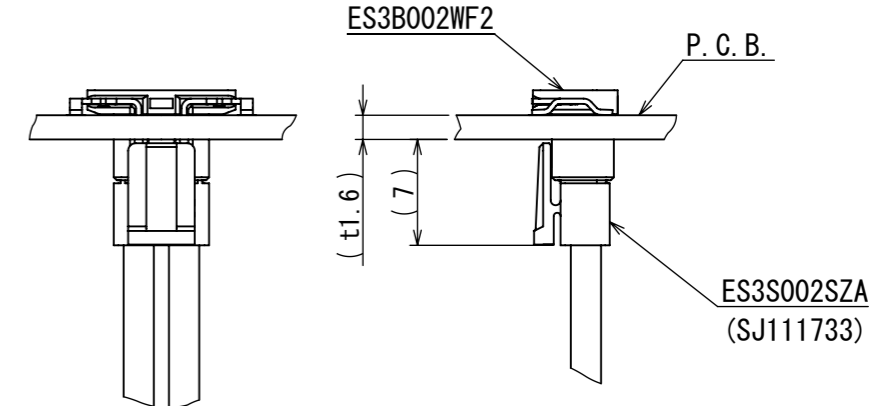
02111730
(ON DRAWING NO.)

版数 REV.	年月日 DATE	DCN NO.	変更内容 DESCRIPTION	製図 DR.	担当 CHK.	査閲 APPD.	承認 APPD.
2	07/NOV/2011	000750	ADD cULus.		K. SHIMOJI	N. IKENAGA	T. KUDO
3	01/DEC/2011	001041	ADD PIN No.		K. SHIMOJI	N. IKENAGA	T. KUDO

LISTED BY UL/cUL



APPLICABLE P. C. B DIMENSION (REF.)
適合基板寸法 (参考)



MATED CONDITION (REF.)
嵌合状態図 (参考)

符号 NO.	名称 DESCRIPTION	個数 QTY.	材料 MATERIAL	仕上 FINISH	備考 REMARKS
3	INSULATOR	1	LCP		COLOR: WHITE
2	CONTACT-R	1	COPPER ALLOY	LEAD-FREE TIN PLATING	
1	CONTACT-L	1	COPPER ALLOY	LEAD-FREE TIN PLATING	

仕様書 (SPECIFICATION) JACS-10804 JAHL-10804	第1版 (ORIGINAL DATE) 25/APR/2011	尺度 (SCALE) 5:1	シリーズ (SERIES) ES3	日本航空電子工業株式会社 JAE
一般公差 (GENERAL TOLERANCE) 寸法 (DIMENSION)	角度 (ANGLES)	製図 DR.	名称 (TITLE) ES3B002WF2	JAPAN AVIATION ELECTRONICS INDUSTRY, LTD.
· ±	×° ±	担当 CHK. K. SHIMOJI	質量 (MASS)	図面番号 (DRAWING NO.) SJ111730
· × ±	×°×' ±	査閲 APPD. N. IKENAGA		承認 APPD. T. KUDOU
· ×× ±		承認 APPD. T. KUDOU		版数 (REV.) 3
· ××× ±				

WISDOM承認 2011/12/02

DCF-C-212E (05.08)

