



Chipsmall Limited consists of a professional team with an average of over 10 year of expertise in the distribution of electronic components. Based in Hongkong, we have already established firm and mutual-benefit business relationships with customers from,Europe,America and south Asia,supplying obsolete and hard-to-find components to meet their specific needs.

With the principle of "Quality Parts,Customers Priority,Honest Operation,and Considerate Service",our business mainly focus on the distribution of electronic components. Line cards we deal with include Microchip,ALPS,ROHM,Xilinx,Pulse,ON,Everlight and Freescale. Main products comprise IC,Modules,Potentiometer,IC Socket,Relay,Connector.Our parts cover such applications as commercial,industrial, and automotives areas.

We are looking forward to setting up business relationship with you and hope to provide you with the best service and solution. Let us make a better world for our industry!



## Contact us

Tel: +86-755-8981 8866 Fax: +86-755-8427 6832

Email & Skype: info@chipsmall.com Web: www.chipsmall.com

Address: A1208, Overseas Decoration Building, #122 Zhenhua RD., Futian, Shenzhen, China

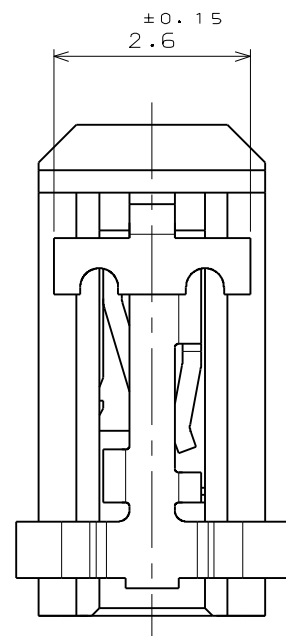
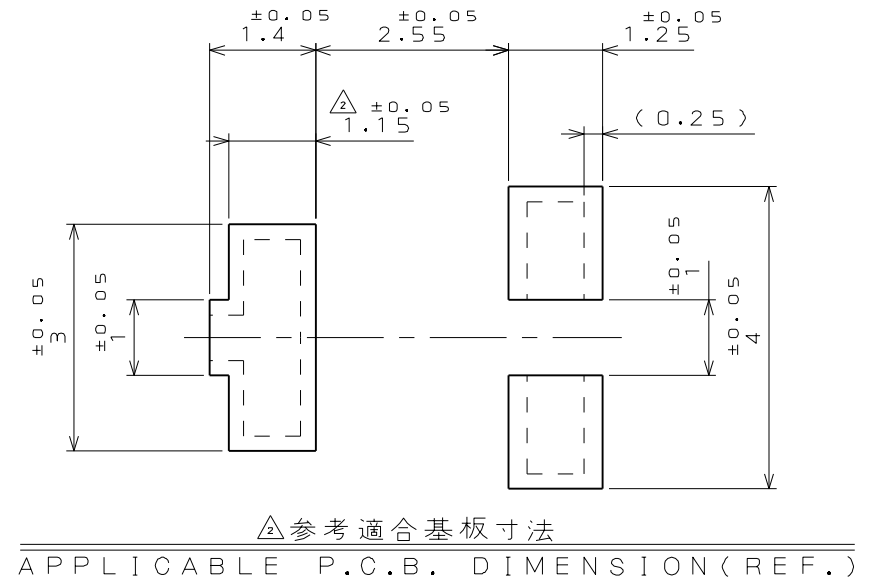
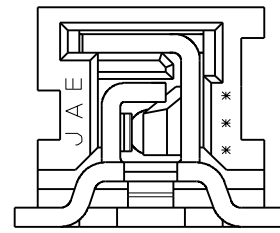
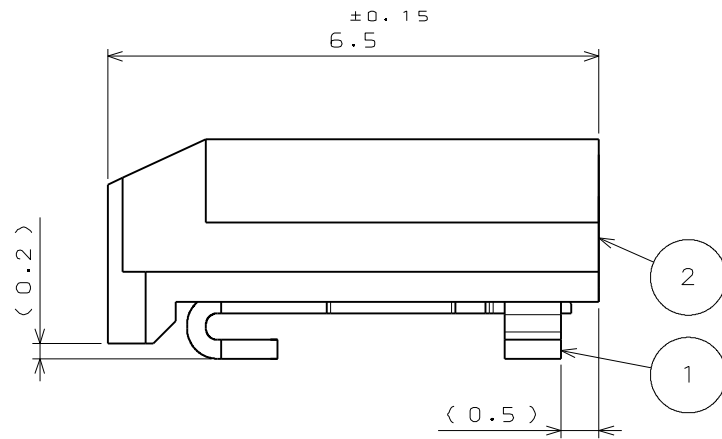
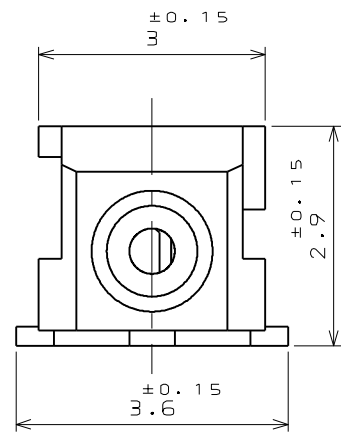
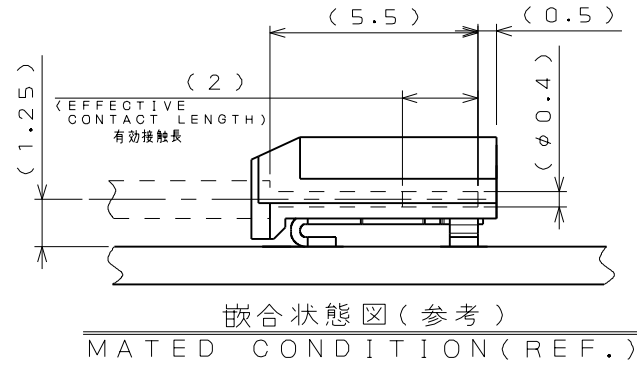
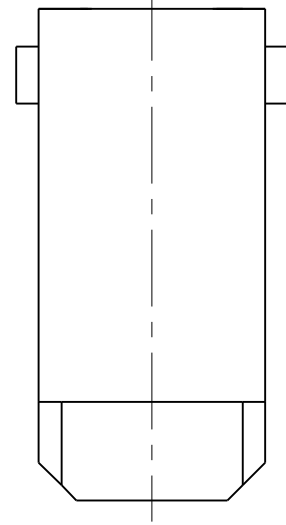


SJ111054

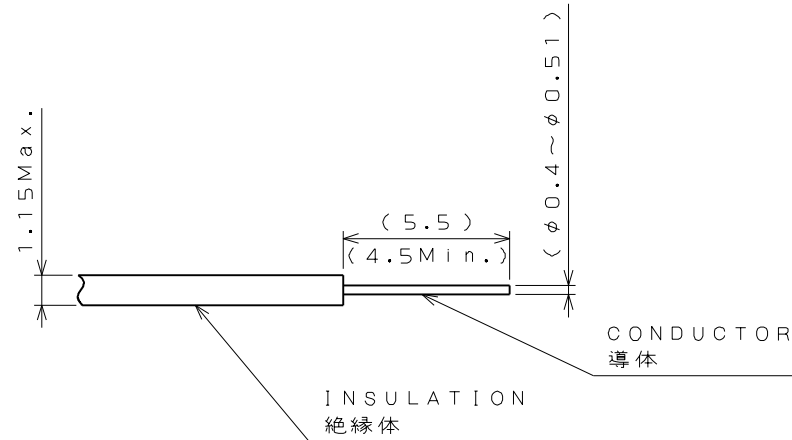
(DRAWING NO.) (図面番)

LISTED BY UL/CUL

版数 REV.	年月日 DATE	CN NO.	変更内容 DESCRIPTION	製図 DR.	担当 CHK.	査閲 APPD.	承認 APPD.
2	10.Feb.2011	071607	REVISED NOTE.etc	—	T.URANO	—	T.KUDO
3	9.Mar.2012	002083	ADD cULus	—	T.URANO	N.IKENAGA	T.KUDO



△NOTE1.APPLICABLE CABLE(CONDUCTOR): SINGLE WIRE AWG26~AWG24(φ0.4~φ0.51)  
 (INSULATION): φ1.15Max. ※PLEASE CONSULT WITH US ABOUT OTHER SIZES.  
 適合ケーブル(導体): 単線 AWG26~AWG24(φ0.4~φ0.51)  
 (絶縁体): φ1.15以下(推奨) ※その他のサイズについては問い合わせ下さい。  
 △NOTE2.DO NOT USE A STRAND WIRE.  
 より線使用不可



2	INSULATOR インシュレータ	1	LCP		
1	CONTACT コンタクト	1	COPPER ALLOY 銅合金	LEAD-FREE TIN PLATING	
符号 NO.	名称 DESCRIPTION	個数 QTY.	材料 MATERIAL	仕上 FINISH	備考 REMARKS
仕様書(SPECIFICATION) JACS-10726 JAHL-10726		第1版(ORIGINAL DATE) 31.Aug.2010		尺度(SCALE) 10:1	シリーズ(SERIES) ES3
公差差(GENERAL TOLERANCE)		製図 DR.		名称(TITLE) ES3S001JF3	
寸法(DIMENSION) 角度(ANGLES)		担当 CHK.	T.URANO	日本航空電子工業株式会社 JAPAN AVIATION ELECTRONICS INDUSTRY, LTD.	
. ±		査閲 APPD.			
.X ±		承認 APPD.	T.KUDO		
.XX ±		質量(MASS)		図面番号(DRAWING NO.) SJ111054	
.XXX ±				版数 (REV.) 3	