



Chipsmall Limited consists of a professional team with an average of over 10 year of expertise in the distribution of electronic components. Based in Hongkong, we have already established firm and mutual-benefit business relationships with customers from,Europe,America and south Asia,supplying obsolete and hard-to-find components to meet their specific needs.

With the principle of "Quality Parts,Customers Priority,Honest Operation,and Considerate Service",our business mainly focus on the distribution of electronic components. Line cards we deal with include Microchip,ALPS,ROHM,Xilinx,Pulse,ON,Everlight and Freescale. Main products comprise IC,Modules,Potentiometer,IC Socket,Relay,Connector.Our parts cover such applications as commercial,industrial, and automotives areas.

We are looking forward to setting up business relationship with you and hope to provide you with the best service and solution. Let us make a better world for our industry!



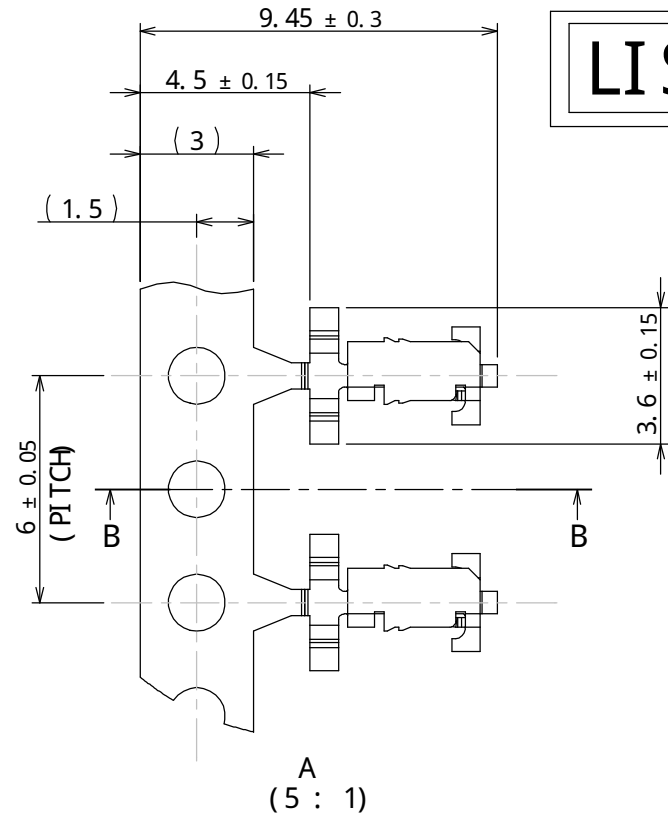
## Contact us

Tel: +86-755-8981 8866 Fax: +86-755-8427 6832

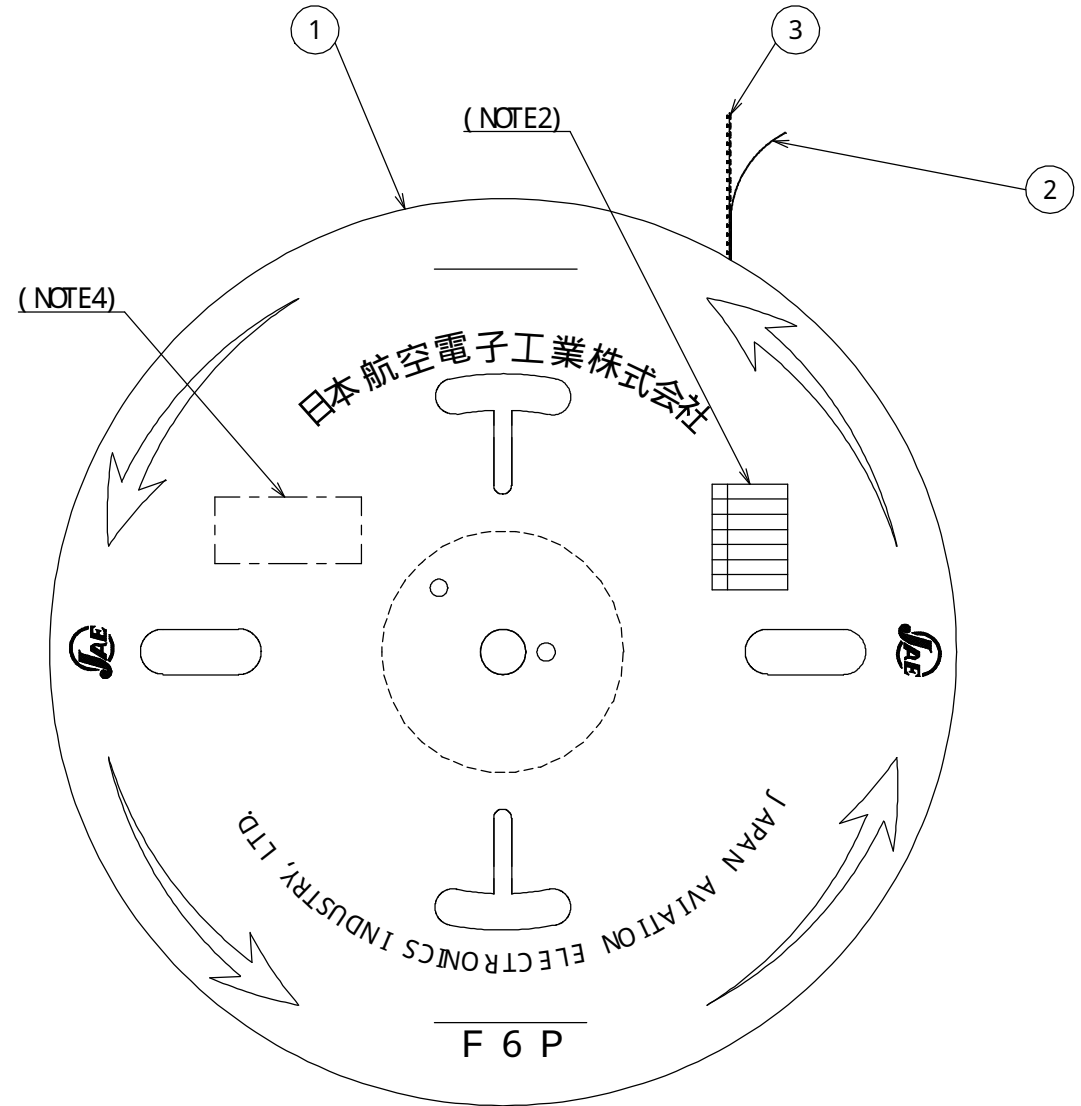
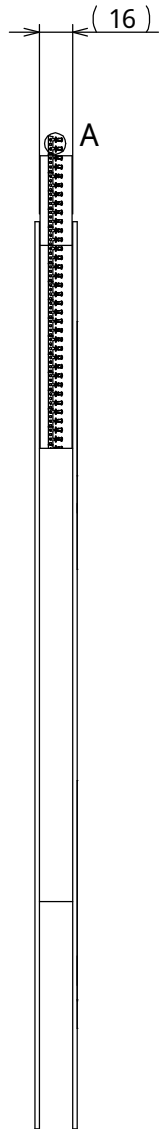
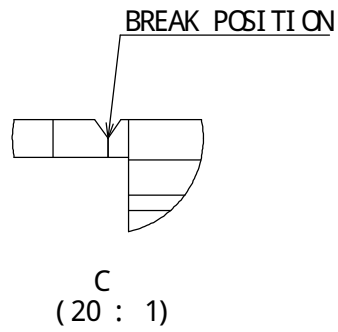
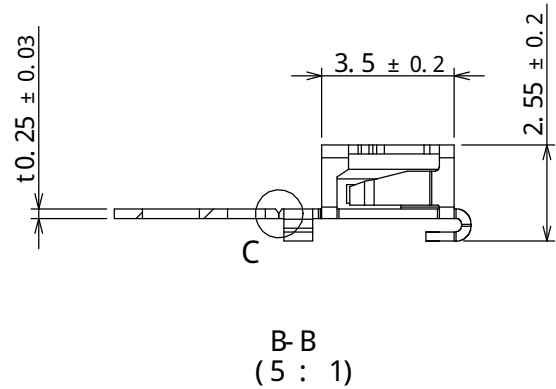
Email & Skype: info@chipsmall.com Web: www.chipsmall.com

Address: A1208, Overseas Decoration Building, #122 Zhenhua RD., Futian, Shenzhen, China





LISTED BY UL/cUL



NOTE1. CONTACTS ARE SUPPLIED IN REELED FORM WITH 10000 CONTACTS PER REEL.

NOTE2. MARK TRADE NAME AND NO. OF CONTACTS.

NOTE3. REFER TO THE DRAWING SJ 112657(ES3S001J)F6 FOR CONNECTOR DIMENSION AND SPECIFICATION.

NOTE4. THE LABEL IN WHICH RECOGNIZED COMPONENT MARK IS ATTACHED.

注1. 本品は10000本のリール状のものです。

注2. 図示の位置に、品名、数量等を記入したラベルが貼られます。

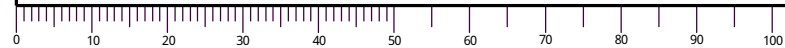
注3. コネクタ寸法・仕様はSJ 112657(ES3S001J)F6参照。

注4. 図示の位置にラベルを貼り、cULus認証品の必要事項を表示する。

3	CONTACT	10000	COPPER ALLOY	LEAD-FREE TIN PLATING	
2	PAPER TAPE	1	PAPER		
1	REEL	1	PAPER		
符号 NO.	名称 DESCRIPTION	個数 QTY.	材料 MATERIAL	仕上 FINISH	備考 REMARKS

仕様書(SPECIFICATION)		第1版(ORIGINAL DATE) 12/MAR/2012		尺度(SCALE) 1:5	シリーズ(SERIES) ES3	日本航空電子工業株式会社 JAE JAPAN AVIATION ELECTRONICS INDUSTRY, LTD.	図面番号(DRAWING NO.) SJ 112658	版数(REV.) 1
一般公差(GENERAL TOLERANCE)		製図 DR.	担当 CHK. T. URANO	名称(TITLE) ES3S001J F6- 10000 REEL PACKAGE				
寸法(DIMENSION)	角度(ANGLES)	査閲 APPD. NIKENAGA	承認 APPD. T. KUDOU	質量(MASS)	質量(MASS)			

DCF-C-212G(11.08)



S/W