



Chipsmall Limited consists of a professional team with an average of over 10 year of expertise in the distribution of electronic components. Based in Hongkong, we have already established firm and mutual-benefit business relationships with customers from,Europe,America and south Asia,supplying obsolete and hard-to-find components to meet their specific needs.

With the principle of "Quality Parts,Customers Priority,Honest Operation,and Considerate Service",our business mainly focus on the distribution of electronic components. Line cards we deal with include Microchip,ALPS,ROHM,Xilinx,Pulse,ON,Everlight and Freescale. Main products comprise IC,Modules,Potentiometer,IC Socket,Relay,Connector.Our parts cover such applications as commercial,industrial, and automotives areas.

We are looking forward to setting up business relationship with you and hope to provide you with the best service and solution. Let us make a better world for our industry!



## Contact us

Tel: +86-755-8981 8866 Fax: +86-755-8427 6832

Email & Skype: info@chipsmall.com Web: www.chipsmall.com

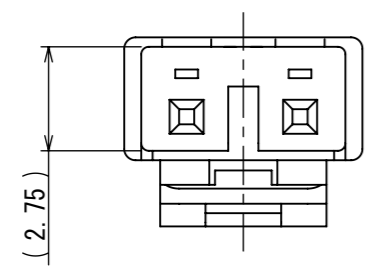
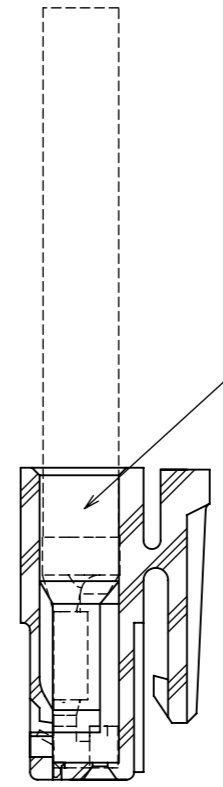
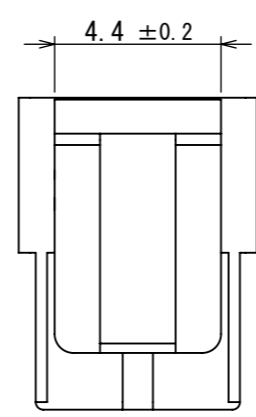
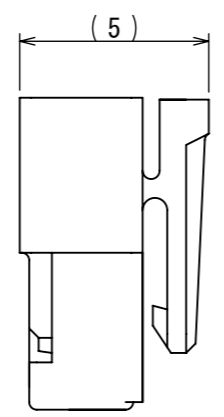
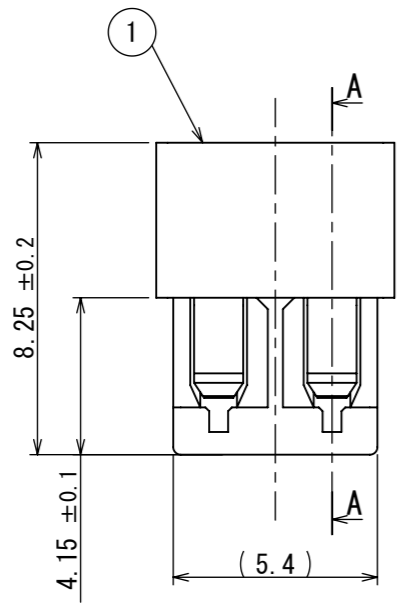
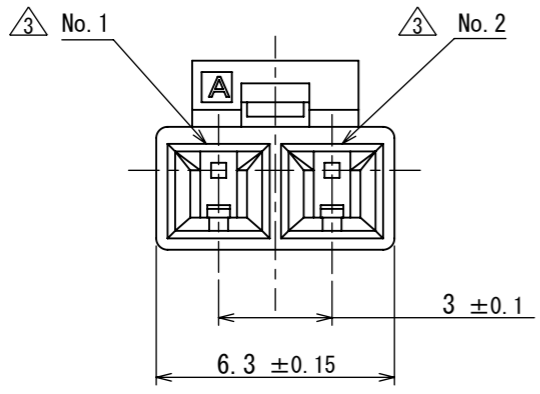
Address: A1208, Overseas Decoration Building, #122 Zhenhua RD., Futian, Shenzhen, China



SJ111733  
(ON 9N1MARD) 号番图

版数 REV.	年月日 DATE	DCN NO.	変更内容 DESCRIPTION	製図 DR.	担当 CHK.	査閲 APPD.	承認 APPD.
2	07/NOV/2011	000750	ADD cULus.		K. SHIMOJI	N. IKENAGA	T. KUDO
3	01/DEC/2011	001041	ADD PIN No.		K. SHIMOJI	N. IKENAGA	T. KUDO

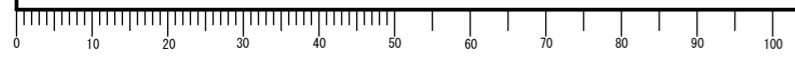
LISTED BY UL/cUL



1	HOUSING	1	6-6Ny	—	COLOR: BLACK
符号 NO.	名称 DESCRIPTION	個数 QTY.	材料 MATERIAL	仕上 FINISH	備考 REMARKS

仕様書 (SPECIFICATION) JACS-10804 J AHL-10804		第1版 (ORIGINAL DATE) 25/APR/2011		尺度 (SCALE) 5:1	シリーズ (SERIES) ES3	日本航空電子工業株式会社
一般公差 (GENERAL TOLERANCE)		製図 DR.		名称 (TITLE) ES3S002SZA		JAE JAPAN AVIATION ELECTRONICS INDUSTRY, LTD.
寸法 (DIMENSION)		担当 CHK. K. SHIMOJI		HOUSING		
角度 (ANGLES)		査閲 APPD. N. IKENAGA		質量 (MASS)		図面番号 (DRAWING NO.) SJ111733
. ±		承認 APPD. T. KUDO		質量 (MASS)		版数 (REV.) 3
. X ±						
. XX ±						
. XXX ±						

DCF-C-212E (05.08)



WISDOM承認 2011/12/02