



Chipsmall Limited consists of a professional team with an average of over 10 year of expertise in the distribution of electronic components. Based in Hongkong, we have already established firm and mutual-benefit business relationships with customers from,Europe,America and south Asia,supplying obsolete and hard-to-find components to meet their specific needs.

With the principle of “Quality Parts,Customers Priority,Honest Operation,and Considerate Service”,our business mainly focus on the distribution of electronic components. Line cards we deal with include Microchip,ALPS,ROHM,Xilinx,Pulse,ON,Everlight and Freescale. Main products comprise IC,Modules,Potentiometer,IC Socket,Relay,Connector.Our parts cover such applications as commercial,industrial, and automotives areas.

We are looking forward to setting up business relationship with you and hope to provide you with the best service and solution. Let us make a better world for our industry!



Contact us

Tel: +86-755-8981 8866 Fax: +86-755-8427 6832

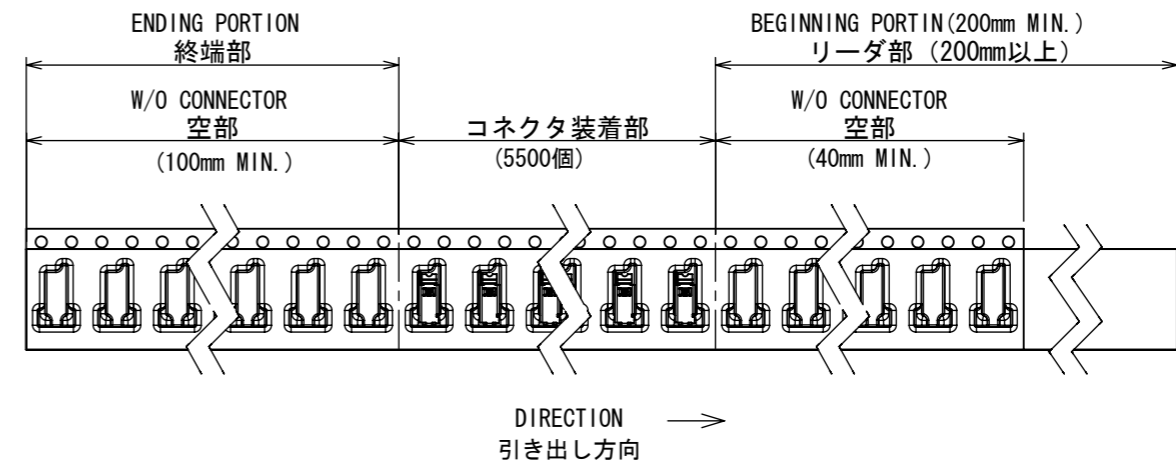
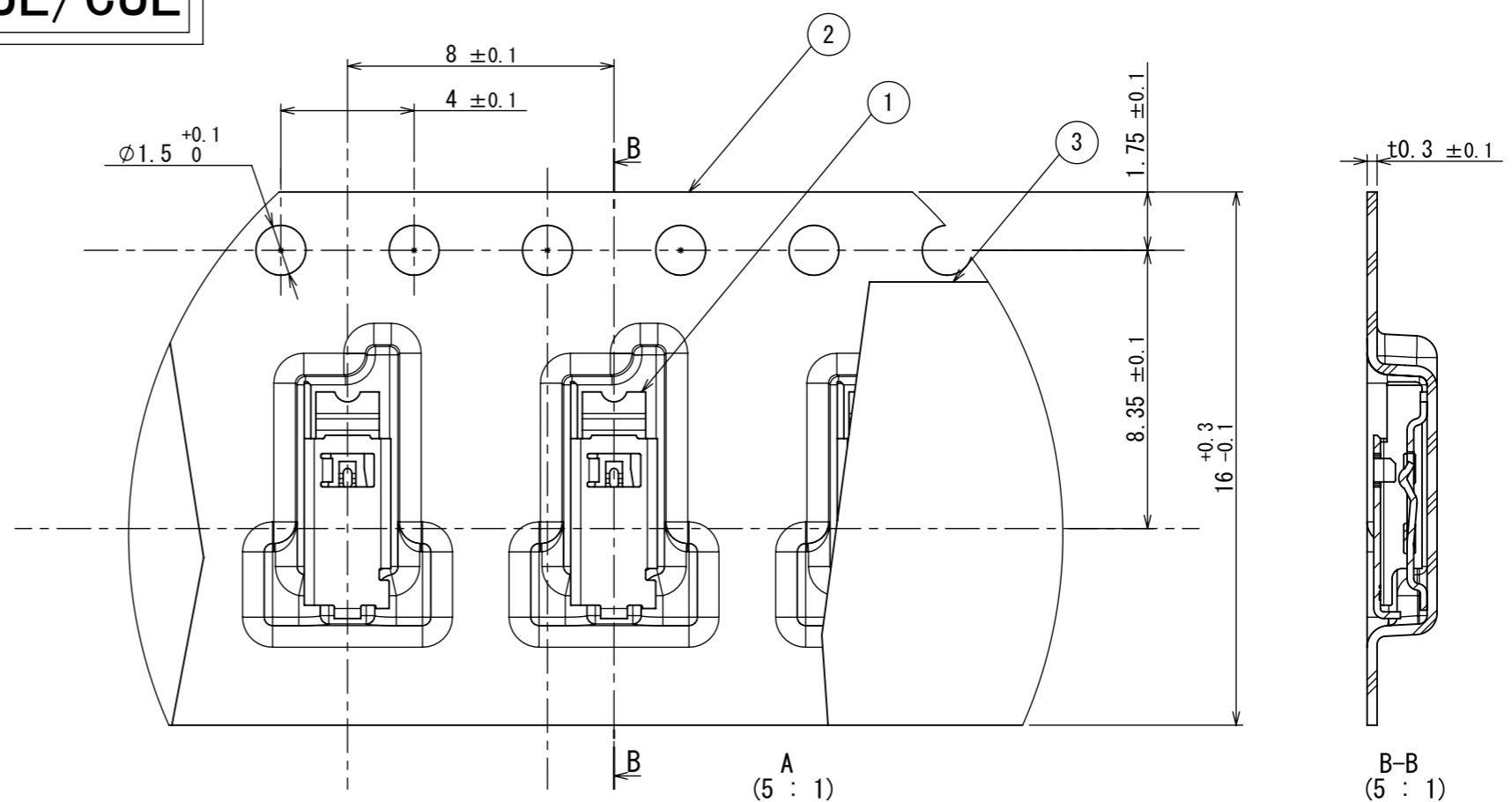
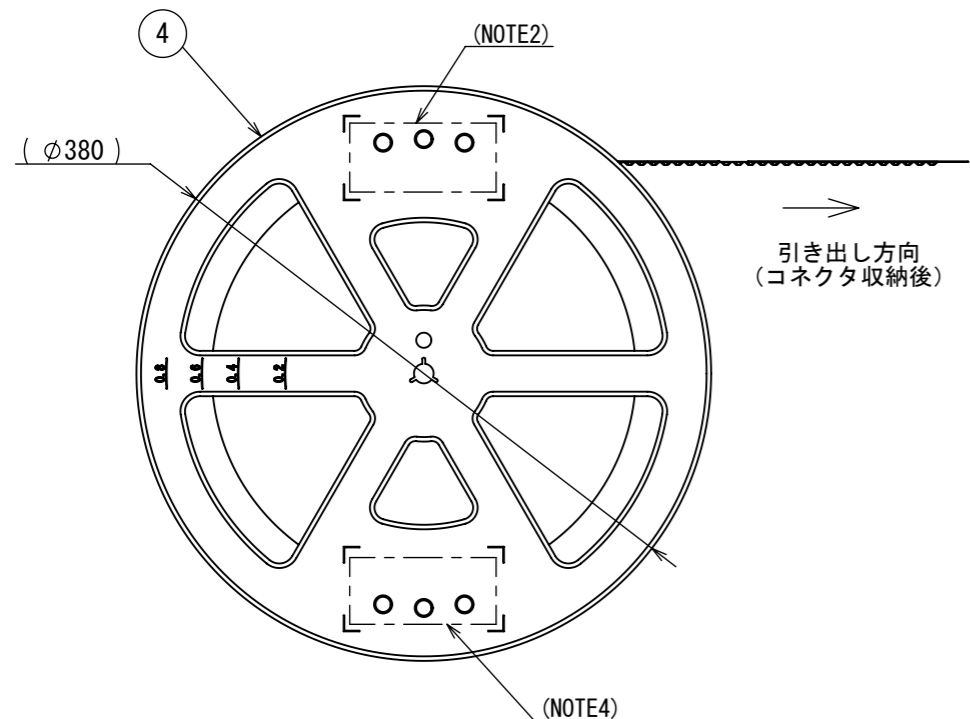
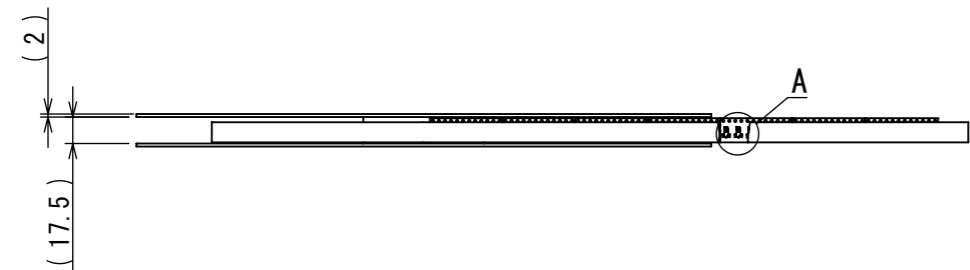
Email & Skype: info@chipsmall.com Web: www.chipsmall.com

Address: A1208, Overseas Decoration Building, #122 Zhenhua RD., Futian, Shenzhen, China



LISTED BY UL/cUL

版数 REV.	年月日 DATE	図番 CN NO.	変更内容 DESCRIPTION	製図 DR.	担当 CHK.	査閲 APPD.	承認 APPD.
------------	-------------	--------------	---------------------	-----------	------------	-------------	-------------



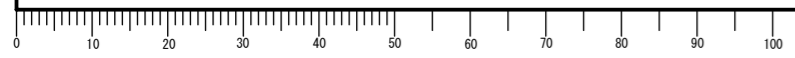
4	REEL	1	POLYSTYRENE		
3	COVER TAPE	1	POLYESTER		
2	CARRIER TAPE	1	POLYSTYRENE		
1	CONNECTOR	5500	COPPER ALLOY	LEAD-FREE TIN PLATING	ES5S001JFA (SJ112415)
符号 NO.	名称 DESCRIPTION	個数 QTY.	材料 MATERIAL	仕上 FINISH	備考 REMARKS

NOTE1. "ES5S001JFAR5500" INDICATES 5500 PCS IN REEL.
 NOTE2. THE LABEL IN WHICH DESCRIPTION, PART NUMBER, QUANTITY AND LOT NUMBER ARE MARKED IS ATTACHED.
 NOTE3. REFER TO THE DRAWING SJ112415 FOR CONNECTOR DIMENSION.
 NOTE4. THE LABEL IN WHICH RECOGNIZED COMPONENT MARK IS ATTACHED.

注1. "ES5S001JFAR5500" は収納数5500個入りのリールに収納された品名を表します。
 注2. 図示の位置に 品名、図番、数量、ロット番号を記載したラベルを貼られます。
 注3. コネクタ寸法はSJ112415参照。
 注4. 図示の位置にラベルを貼り、cULus認証品の必要事項を表示する。

仕様書 (SPECIFICATION) JACS-10914 JAHL-10914		第1版 (ORIGINAL DATE) 13/FEB/2012		尺度 (SCALE) 1:5		シリーズ (SERIES) ES5		日本航空電子工業株式会社	
一般公差 (GENERAL TOLERANCE) 寸法 (DIMENSION)		角度 (ANGLES)		名称 (TITLE) ES5S001JFAR5500		質量 (MASS)		図面番号 (DRAWING NO.) SJ112416	
. ±0.8		×° ±		製造 DR.		担当 CHK. K. SHIMOJI		査閲 APPD. N. IKENAGA	
. × ±0.4		×°×' ±		承認 APPD. T. KUDOU		承認 APPD.		承認 APPD.	
. ×× ±0.1									
. ××× ±									

DCF-C-2126 (1.08)



WISDOM承認 2012/02/16

SIZE A3
版数 (REV.) 1