



Chipsmall Limited consists of a professional team with an average of over 10 year of expertise in the distribution of electronic components. Based in Hongkong, we have already established firm and mutual-benefit business relationships with customers from,Europe,America and south Asia,supplying obsolete and hard-to-find components to meet their specific needs.

With the principle of “Quality Parts,Customers Priority,Honest Operation,and Considerate Service”,our business mainly focus on the distribution of electronic components. Line cards we deal with include Microchip,ALPS,ROHM,Xilinx,Pulse,ON,Everlight and Freescale. Main products comprise IC,Modules,Potentiometer,IC Socket,Relay,Connector.Our parts cover such applications as commercial,industrial, and automotives areas.

We are looking forward to setting up business relationship with you and hope to provide you with the best service and solution. Let us make a better world for our industry!



Contact us

Tel: +86-755-8981 8866 Fax: +86-755-8427 6832

Email & Skype: info@chipsmall.com Web: www.chipsmall.com

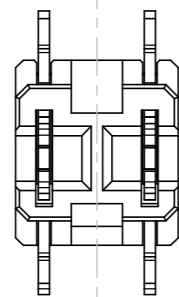
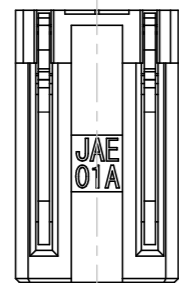
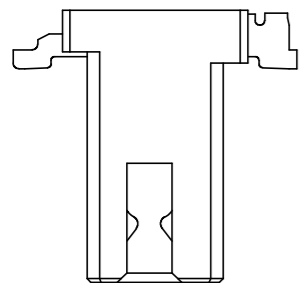
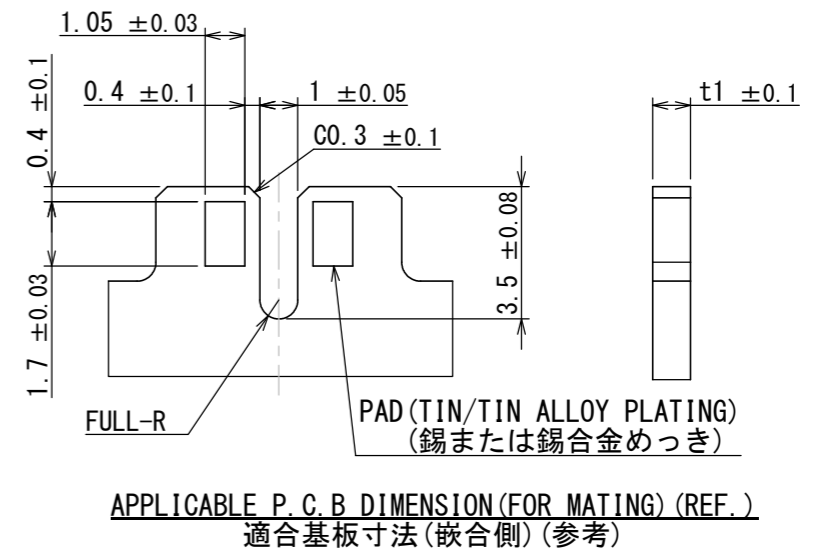
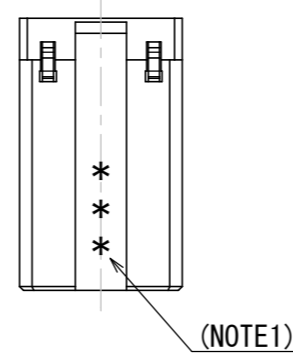
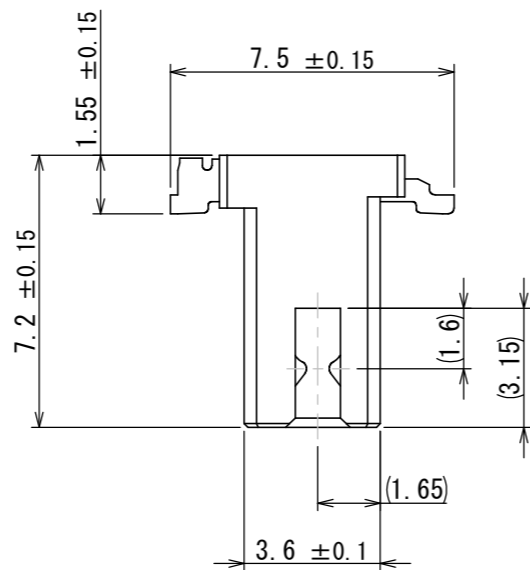
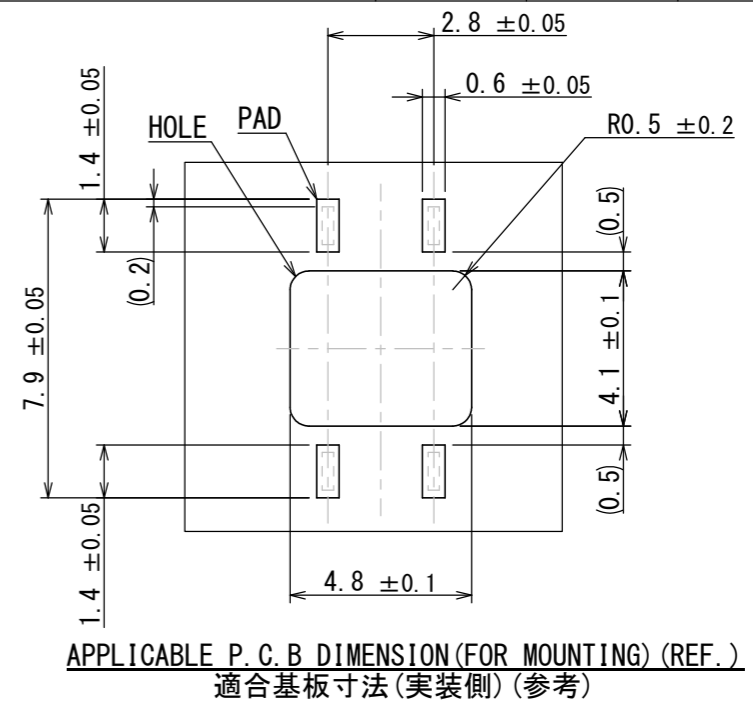
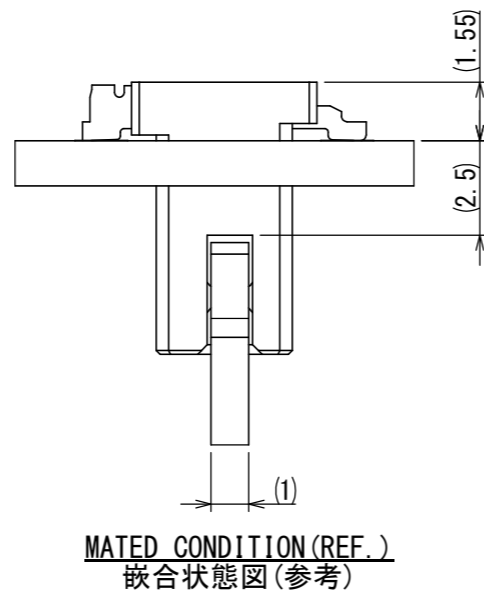
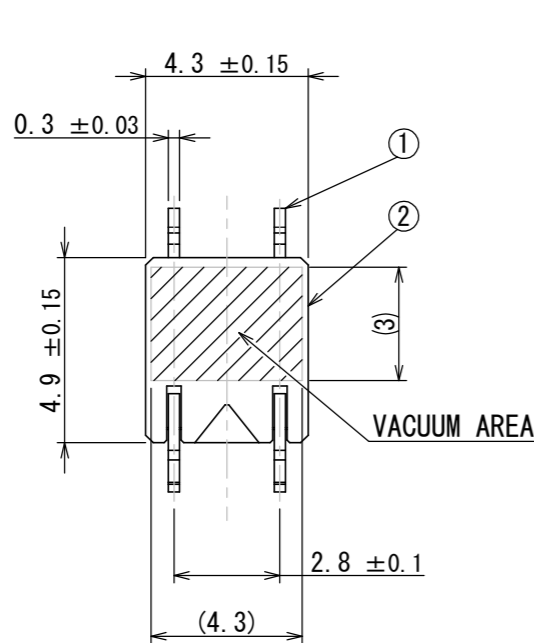
Address: A1208, Overseas Decoration Building, #122 Zhenhua RD., Futian, Shenzhen, China



SJ115499
 (図面番号) (DRAWING NO.)

△ cULus Recognized Component

版数 VER.	年月日 DATE	CN NO.	変更内容 DESCRIPTION	製図 DR.	担当 CHK.	査閲 APPD.	承認 APPD.
2	22/JUL/2015	013931	ADD cULus		T. URANO		T. KUDOU

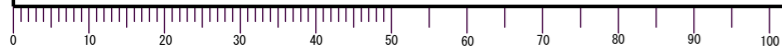


NOTE1. LOT MARKING
 注1. 組立ロットを表示する

2	INSULATOR	1	LCP	COLOR: IVORY	
1	CONTACT	2	COPPER ALLOY	LEAD-FREE/TIN PLATING	
符号 NO.	名称 DESCRIPTION	個数 QTY.	材料 MATERIAL	仕上 FINISH	備考 REMARKS

仕様書 (SPECIFICATION) JACS-11068 JABL-11068		第1版 (ORIGINAL DATE) 05/FEB/2015		尺度 (SCALE) 5:1		シリーズ (SERIES) ES6		日本航空電子工業株式会社	
一般公差 (GENERAL TOLERANCE)		製図 DR.		名称 (TITLE) ES6B002WF1		JAE		JAPAN AVIATION ELECTRONICS INDUSTRY, LTD.	
寸法 (DIMENSION)		担当 CHK. T. URANO		質量 (MASS)		図面番号 (DRAWING NO.) SJ115499		版数 (VER.) 2	
角度 (ANGLES)		査閲 APPD. H. KANNO		承認 APPD. T. KUDOU					
単位 (UNIT) : mm									

DCF-C-212H(12.08)



S/W

WISDOM承認 2015/07/21