



Chipsmall Limited consists of a professional team with an average of over 10 year of expertise in the distribution of electronic components. Based in Hongkong, we have already established firm and mutual-benefit business relationships with customers from,Europe,America and south Asia,supplying obsolete and hard-to-find components to meet their specific needs.

With the principle of “Quality Parts,Customers Priority,Honest Operation,and Considerate Service”,our business mainly focus on the distribution of electronic components. Line cards we deal with include Microchip,ALPS,ROHM,Xilinx,Pulse,ON,Everlight and Freescale. Main products comprise IC,Modules,Potentiometer,IC Socket,Relay,Connector.Our parts cover such applications as commercial,industrial, and automotives areas.

We are looking forward to setting up business relationship with you and hope to provide you with the best service and solution. Let us make a better world for our industry!



Contact us

Tel: +86-755-8981 8866 Fax: +86-755-8427 6832

Email & Skype: info@chipsmall.com Web: www.chipsmall.com

Address: A1208, Overseas Decoration Building, #122 Zhenhua RD., Futian, Shenzhen, China



Bussmann series Safeclip BS fuse holders



Product description

Eaton's Bussmann series range of Safeclip fuse holders is specifically designed for easy tool-free fuse installation.

Standard features

- Industry standard fuse holders address many application needs
- Fully shrouded for greater safety
- Most comprehensive range available to meet the majority of applications
- High resistance body material helps ensure high dielectric strength
- Extremely reliable contact system for superior electrical conductivity

Catalogue symbol:

- SC(amp)H: Front connected
- SC(amp)P: Back stud connected
- SC(amp)BH: Busbar/Front connected
- SC(amp)PH-D: Front/Back stud connected

Agency information:

- BS88
- IEC 60269-1

Technical data:

- Rated voltage: 550 V a.c.
- Rated current: 20 to 125 A
- Terminal conductor range: 16 to 70 mm²
- Maximum ambient operating temperature: 40°C

Packaging:

- 20 to 63 A: 10 per pack
- 100 A: 5 per pack
- 125 A: 1 per pack

Table 1. Part numbers details

Fuse holder description	Colour	20 A	32 A	63 A	100 A	125 A
Front connected	Black	SC20H	SC32H-D	SC63H-D	SC100H	SC125H-D
	White	SC20HWH	SC32H-DWH	SC63H-DWH		
	Green	SC20HGN	SC32H-DGN			
Back stud connected	Black	SC20P	SC32P	SC63P		
	White	SC20PWH	SC32PWH			
	Green	SC20PGN	SC32PGN			
Busbar/Front connected	Black	SC20BH	SC32BH	SC63BH		
Front/Back stud connected	Black		SC32PH-D			
	White		SC32PH-DWH			

Table 2. Technical data

Rated current (Amps)	Rated voltage (V a.c.)	Agency markings	Minimum conductor size	Maximum conductor size	Compatible fuse links	Packaging
20	550	BS88 and IEC60269	0.5 mm ²	16 mm ²	SSD	10
32			0.5 mm ²	16 mm ²	NSD	10
63			2.5 mm ²	25 mm ²	ESD	10
100			2.5 mm ²	50 mm ²	OSD	5
125			2.5 mm ²	70 mm ²	XS	1

Weights:

- SC20H: 85 grams
- SC20P: 113 grams

- SC32BH: 95 grams
- SC32H-D: 97 grams
- SC32P: 125 grams

- SC63BH: 165 grams
- SC63HD: 160 grams

- SC100H: 330 grams

- SC125HD: 365 grams

Table 3. Accessories

Catalogue numbers	Description	Pack quantity	Compatible fuse links	Compatible fuse holders
SSC-LINK	Copper links	10		SC20
NSC-LINK		10		SC32
ESC-LINK		10		SC63
OSC-LINK		10		SC100
XSC-LINK		10		SC125
SC32LOCK	Padlockable inserts	10		SC32
SC63LOCK		10		SC63
SCA63CAR	Adaptor carrier	10	NS	SC63
SCSB20-32	Sealing band	10		SC20 and SC32
DIN-20-32 ¹	DIN-Rail adaptor	10		SC20 and RS20

¹ SC32H-D, SC63H-D and SC125H-D have an integral DIN-Rail feature as standard

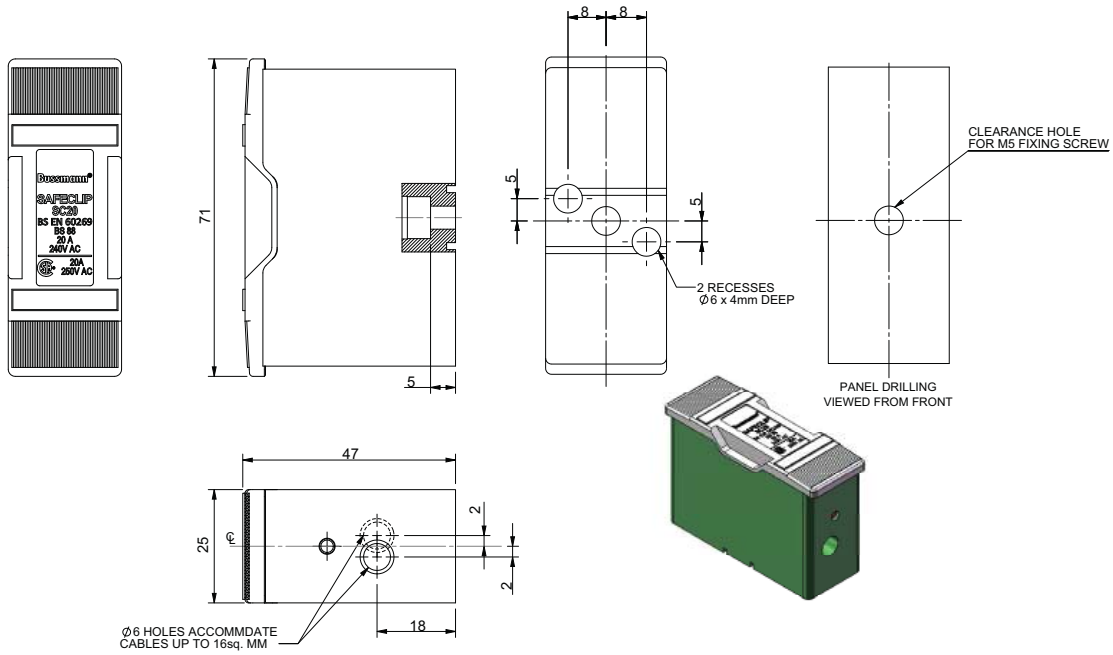


SSC-LINK

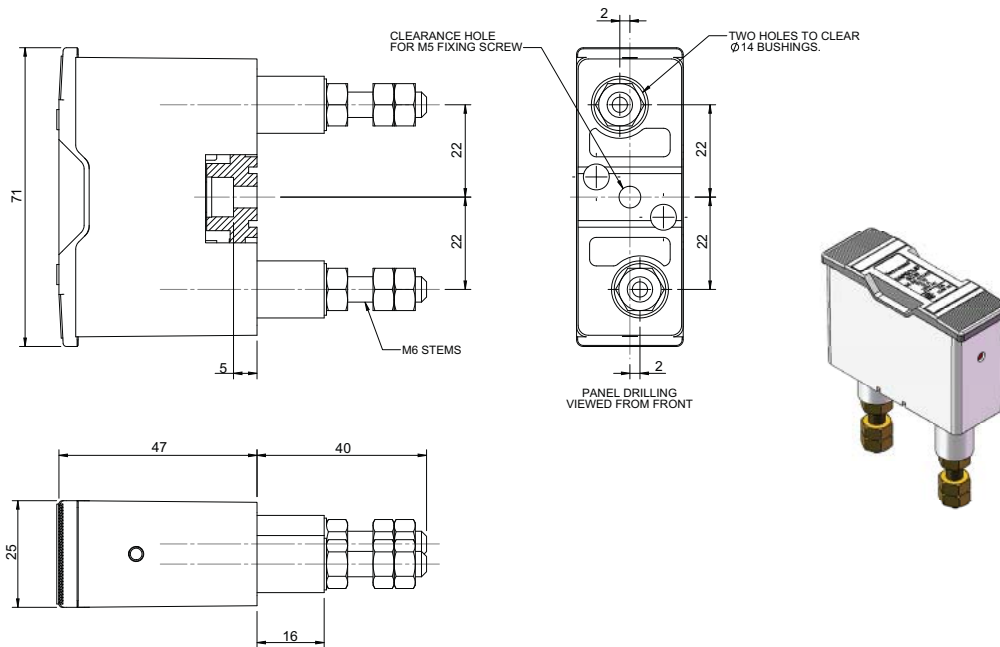
NSC-LINK

DIN-20-32

Dimensions - mm

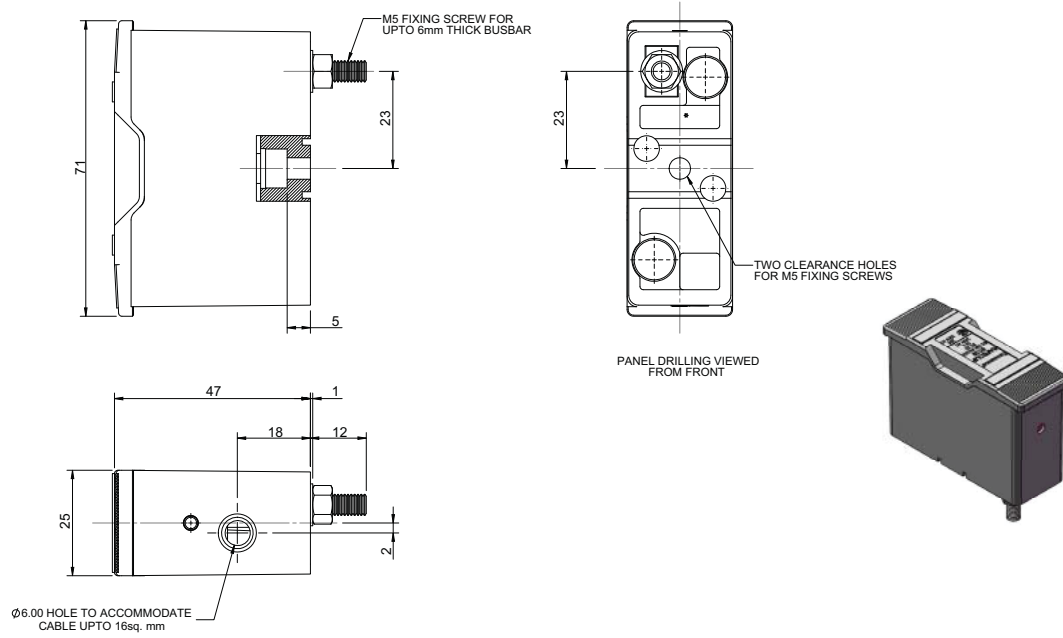


SC20H 20 A, Front connected

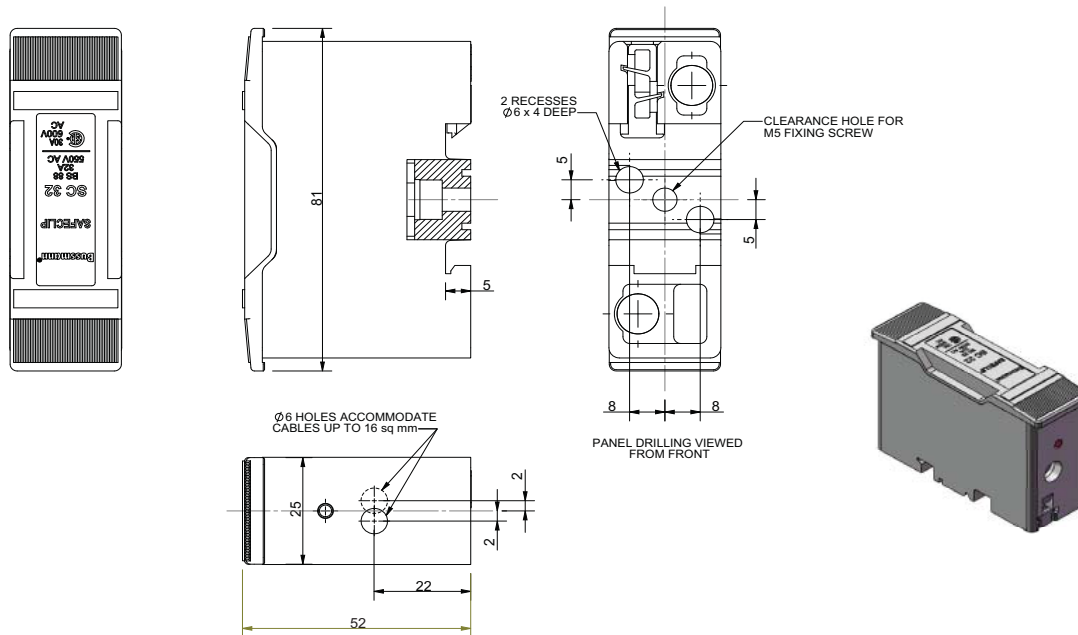


SC20P 20 A, Back stud connected

Dimensions - mm

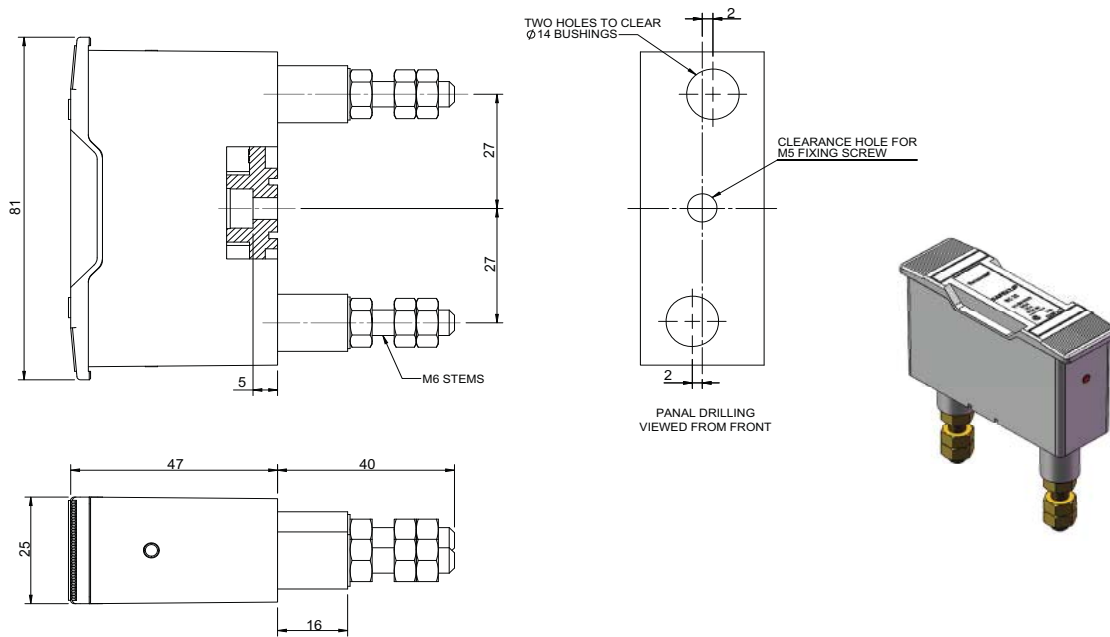


SC20BH 20 A, Busbar/front connected

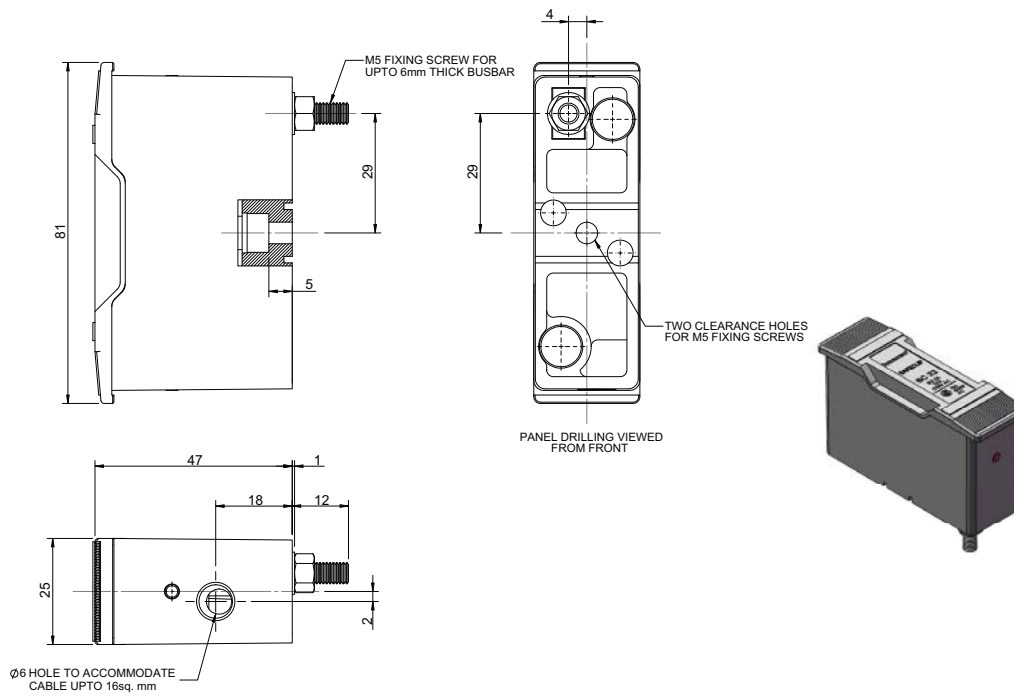


SC32H-D 32 A, Front connected

Dimensions - mm

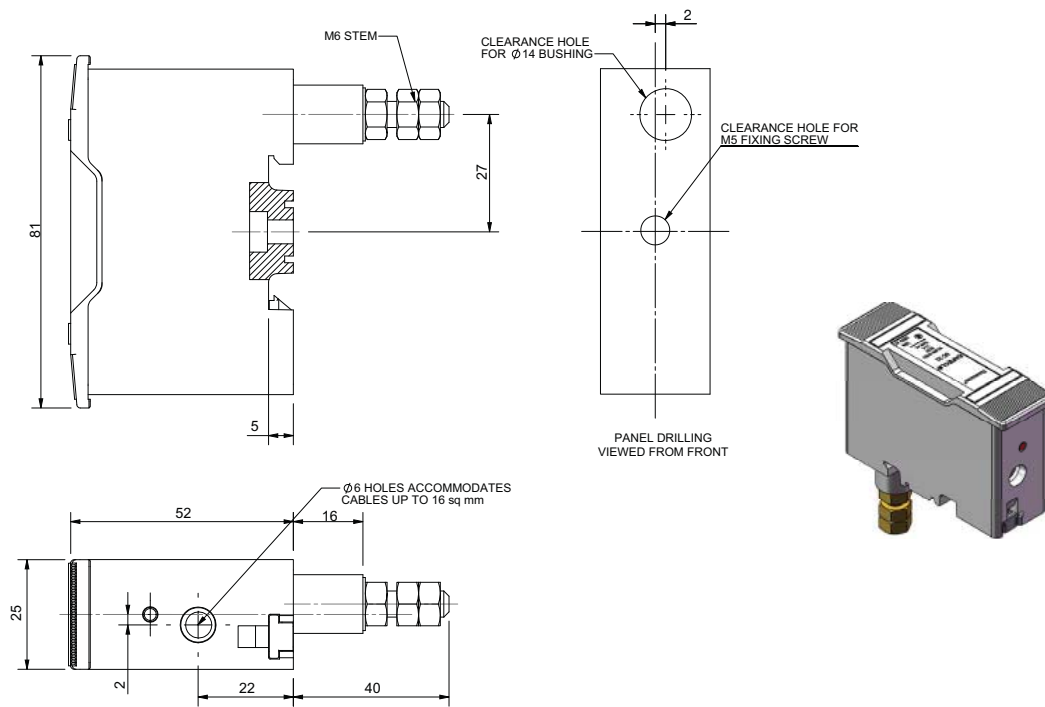


SC32P 32 A, Back stud connected

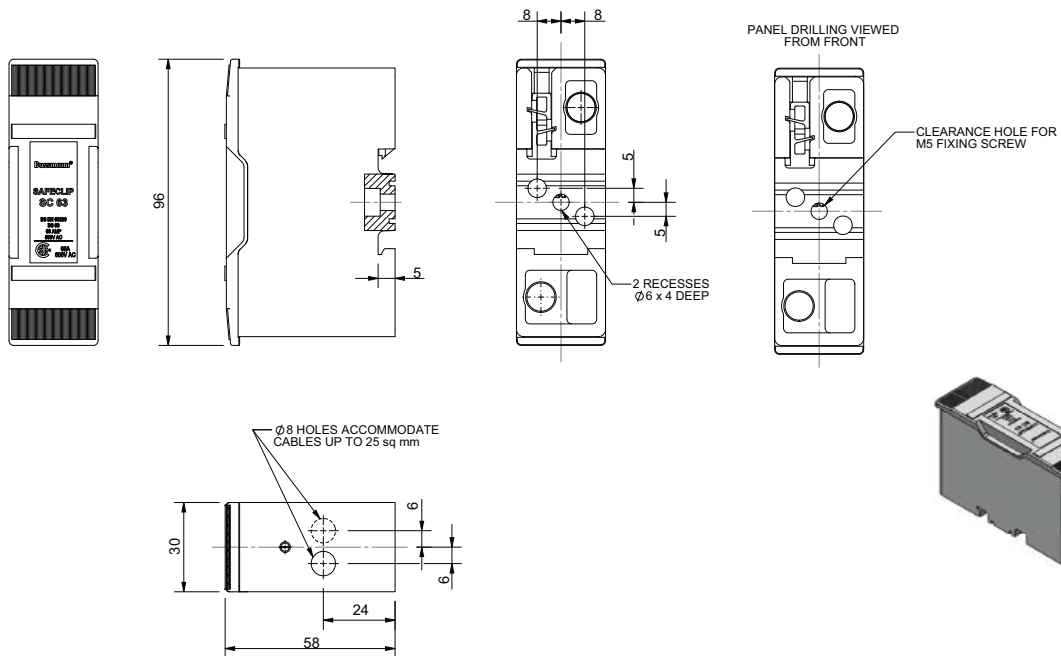


SC32BH 32 A, Busbar/Front connected

Dimensions - mm

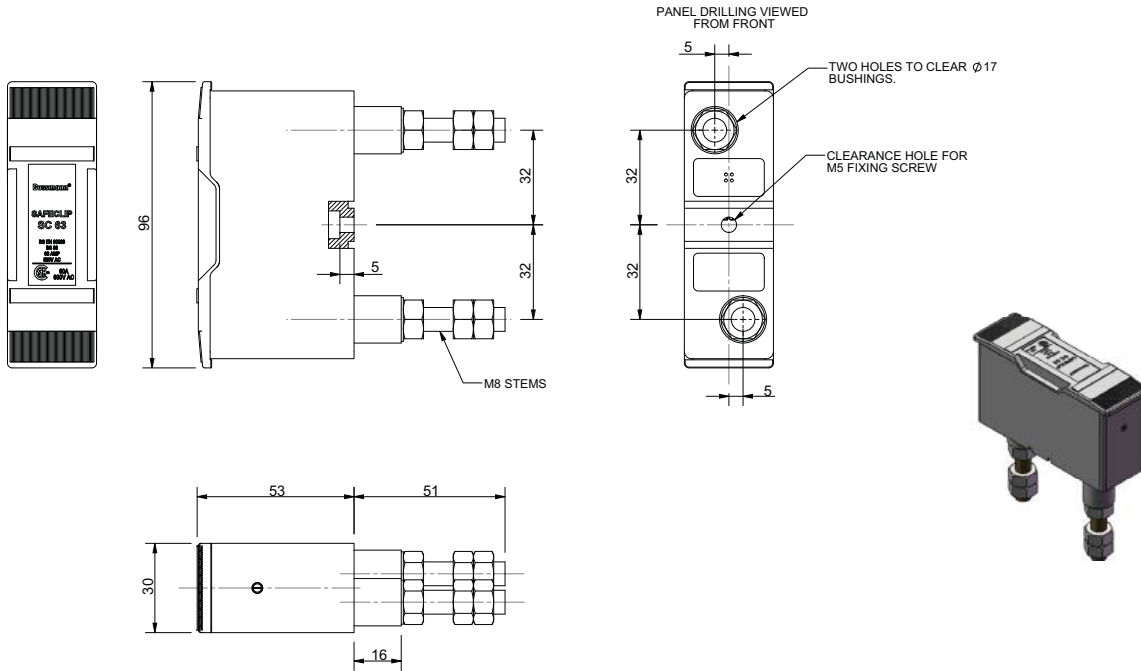


SC32PH-D 32 A, Front/Back stud connected

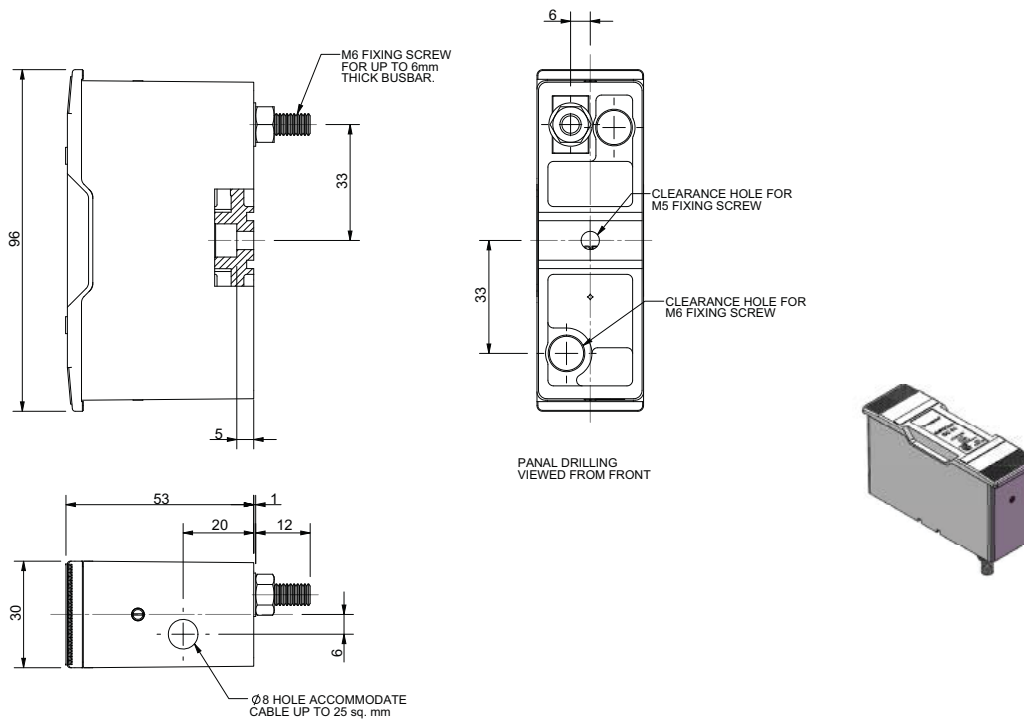


SC63H-D 63 A, Front connected

Dimensions - mm

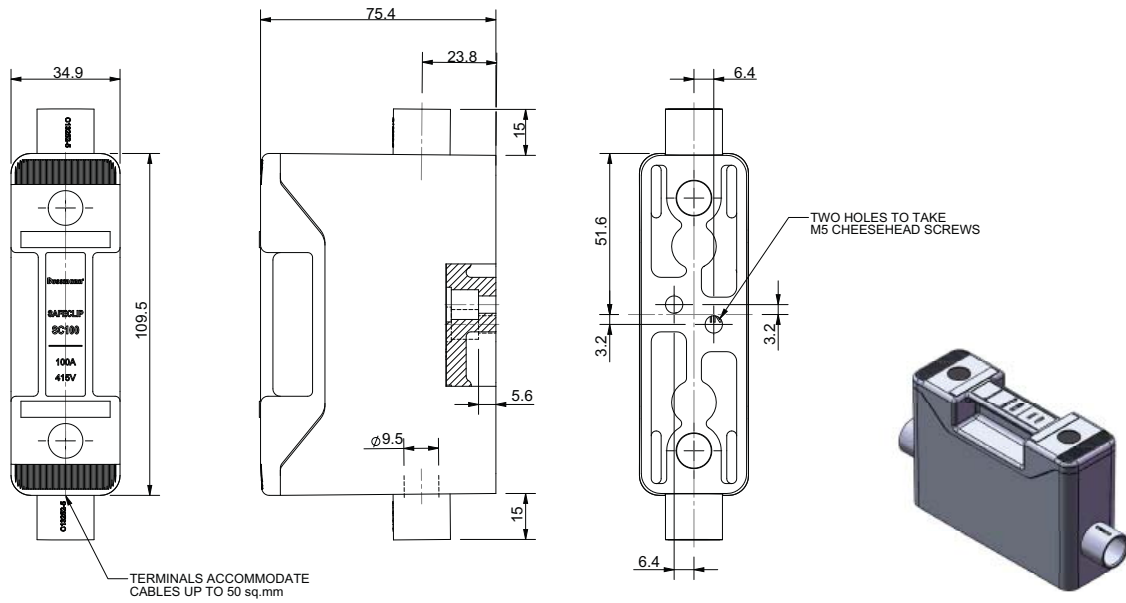


SC63P 63 A, Back stud connected



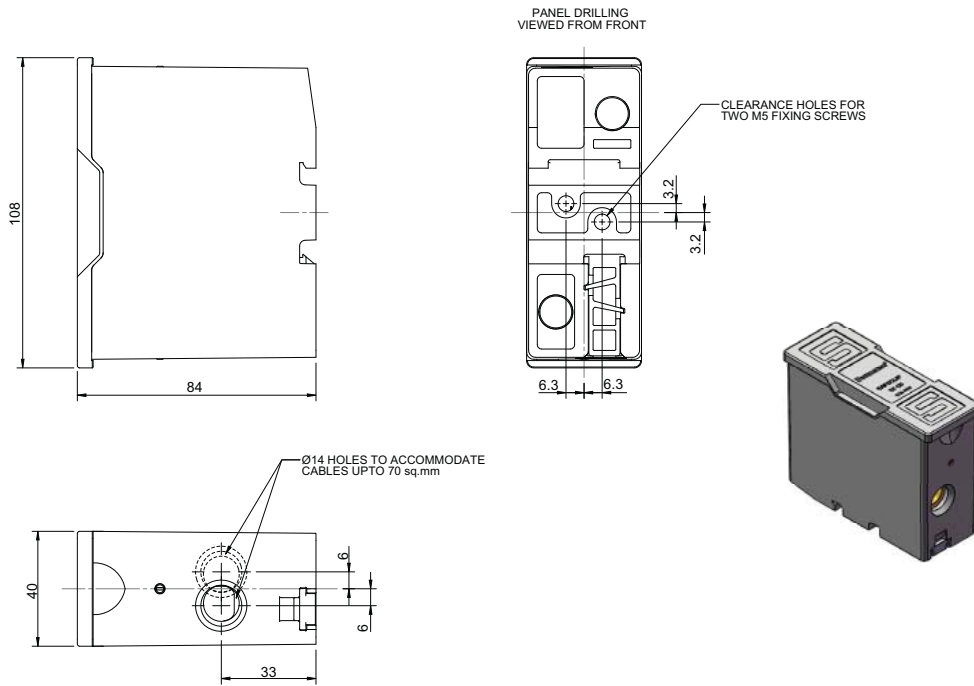
SC63BH 63 A Busbar/front connected

Dimensions - mm



SC100H 100 A, Front connected

Dimensions - mm



SC125H-D 125 A, Front connected

Changes to the products, to the information contained in this document, and to prices are reserved; so are errors and omissions. Only order confirmations and technical documentation by Eaton is binding. Photos and pictures also do not warrant a specific layout or functionality. Their use in whatever form is subject to prior approval by Eaton. The same applies to Trademarks (especially Eaton, Moeller, and Cutler-Hammer). The Terms and Conditions of Eaton apply, as referenced on Eaton Internet pages and Eaton order confirmations.

Eaton
EMEA Headquarters
Route de la Longeraie 7
1110 Morges, Switzerland
Eaton.eu

© 2015 Eaton
All Rights Reserved
PDF only
Publication No. 10137
June 2015