



Chipsmall Limited consists of a professional team with an average of over 10 year of expertise in the distribution of electronic components. Based in Hongkong, we have already established firm and mutual-benefit business relationships with customers from,Europe,America and south Asia,supplying obsolete and hard-to-find components to meet their specific needs.

With the principle of “Quality Parts,Customers Priority,Honest Operation,and Considerate Service”,our business mainly focus on the distribution of electronic components. Line cards we deal with include Microchip,ALPS,ROHM,Xilinx,Pulse,ON,Everlight and Freescale. Main products comprise IC,Modules,Potentiometer,IC Socket,Relay,Connector.Our parts cover such applications as commercial,industrial, and automotives areas.

We are looking forward to setting up business relationship with you and hope to provide you with the best service and solution. Let us make a better world for our industry!



Contact us

Tel: +86-755-8981 8866 Fax: +86-755-8427 6832

Email & Skype: info@chipsmall.com Web: www.chipsmall.com

Address: A1208, Overseas Decoration Building, #122 Zhenhua RD., Futian, Shenzhen, China



ESERV-11T 12T Serial Server

N-Tron Networking Series



▶▶▶ Industrial Ethernet Serial Server

Take control of legacy serial devices with ESERV-11T or ESERV-12T Industrial Ethernet Serial Servers. Setup devices, upgrade firmware and monitor activity with Easy Configuration Manager software. Existing serial devices can be monitored and controlled from your desktop or anywhere on your Ethernet LAN/WAN—even offsite through the Internet. Updates can also be made through Telnet. Heartbeat connectivity keeps the serial server on-line. If connectivity is lost, these servers will attempt to reconnect every five seconds until a connection is regained. Manual rebooting is not required.

PRODUCT FEATURES

- Supports Data Rates up to 230.4 Kbps
- Wide -34 to 80°C Temperature Range
- 10 to 58 VDC Input Power Range
- Built-in, Switchable Termination & Bias
- Single or Dual Port Serial Connectivity
- Ethernet Fiber Options

Specifications

Serial Technology

RS-232	TD, RD, RTS, CTS, DTR, RSR, DTD, GND
RS-485 2-Wire	Data A(-), Data B(+), GND
RS-422/485 4-Wire	TDA(-), TDB(+), RDA(-), RDB(+), GND
Serial Connectors:	
ESERV-11T:	DB9M or removable terminal block
ESERV-12T:	2 removable terminal blocks
Data Rate	up to 230.4 kbps

Network

Serial Memory	8KB per port
Network Memory	4KB
IP Port Address	5300 - Heartbeat and configuration Setting in TCP mode (paired mode) 8888 - ESERV-1XT Update
Mac Address Table	2k

Network Communications

LAN	10/100 Mbps Auto-Detecting 10BaseT, 100BaseTX, (RJ-45) or 100Base fiber (ST connector)
-----	--

Network Physical Layer Standards

Ethernet	IEEE 802.3 auto detecting & auto MDI/MDX 10BaseT and 100BaseTX
----------	---

Protocols

TCP, IPv4, UDP ARP, Telnet, HTTP 1.0, ICMP/PING, DHCP/BOOTP	
IP MODE	Static, DHCP
TCP	User Definable

Configuration Software

OS Compatibility	Windows 2000, 2003 Server, XP, Vista
------------------	--------------------------------------



Fiber Optic Technology

Type / Wavelength	Multi-mode / 1310nm
Output Power	-19 to -14dBm
Receive Sensitivity	~ -32dBm
Cable	62.5 / 125um
Connector	ST
Range	1.2 Miles (2km)

Other

Connection Mode	Server, Client, VCOM, Paired
Client Connection Search	At Powerup or upon data arrival Serial direct COM and Ethernet Auto Search or specific IP
Diagnostics	Display PC IP, ping, test VCOM save test config (text readable)
Firmware Upgrade	Web GUI through Ethernet

Power

Source	External
Input Voltage	10 to 58 VDC
Power Consumption	4.0 W
Power Connector	Removable Terminal Block
Wire Size Accepted	12 to 28 AWG

Mechanical

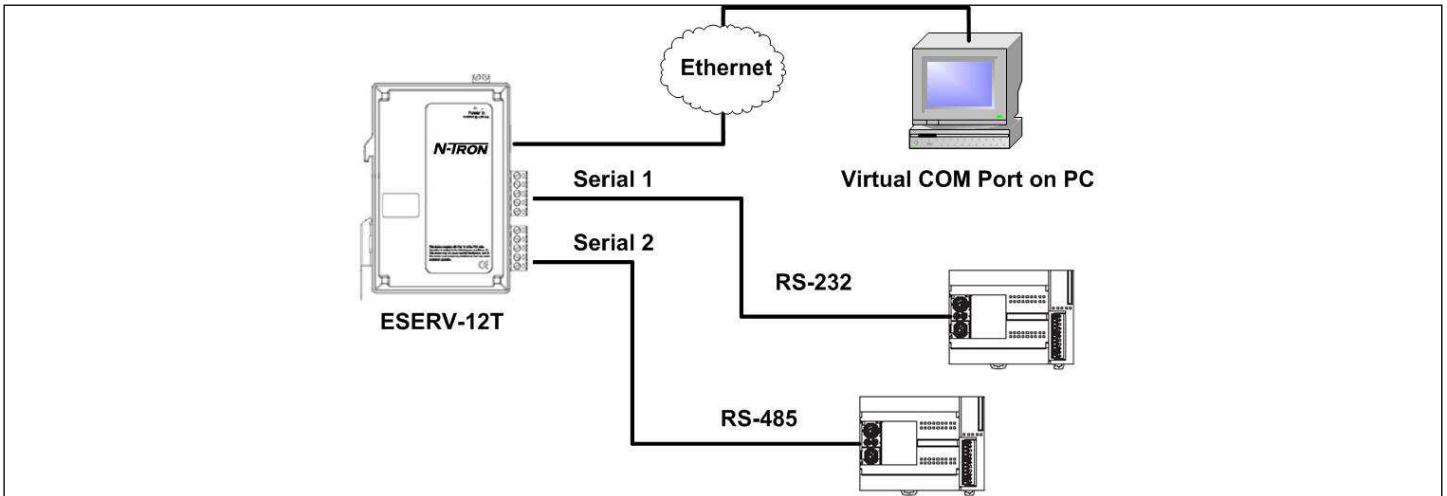
LED Indicators	Serial Port, Ethernet Link, Ready
Switches	Reset Button
Dimensions	1.2 x 3.2 x 4.7 in (3.0 x 8.1 x 11.9 cm)
Enclosure	IP 30 Plastic, 35 mm DIN Mount
Weight	0.33 lbs (149.7 g)
MTBF	132309 hours
MTBF Calc. Method	Parts Count Reliability Prediction

Environmental

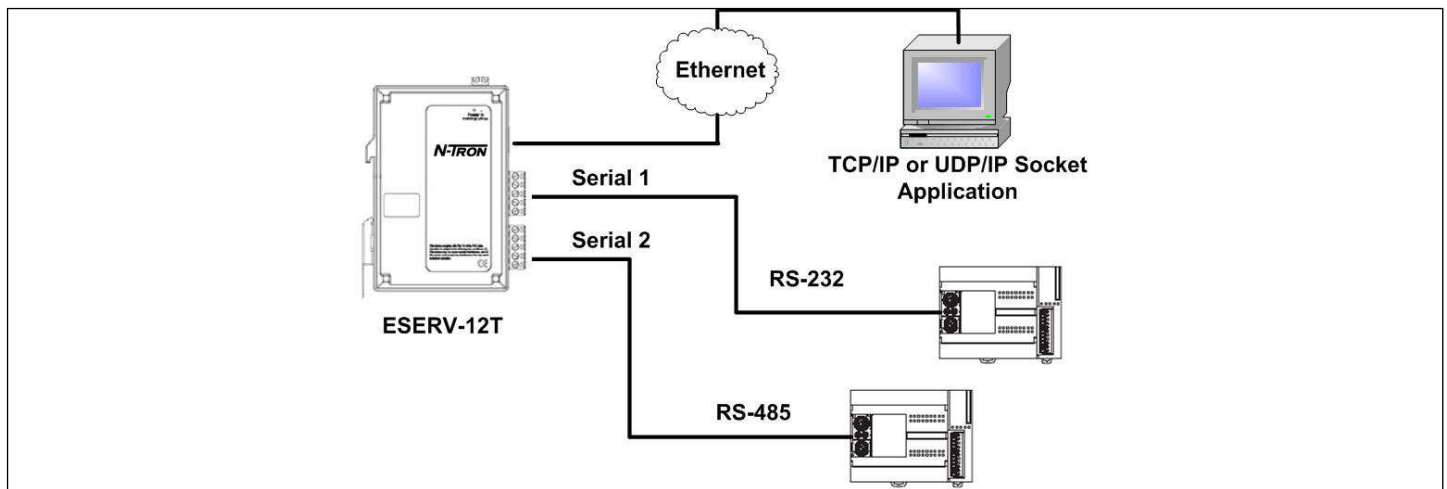
Operating Temperature	- 34 to 80°C (-29 to 176°F)
Storage Temp	- 40 to 85°C (-40 to 185°F)
Operating Humidity	0 to 95% Non-condensing

Regulatory Approvals FCC, CE, UL 508

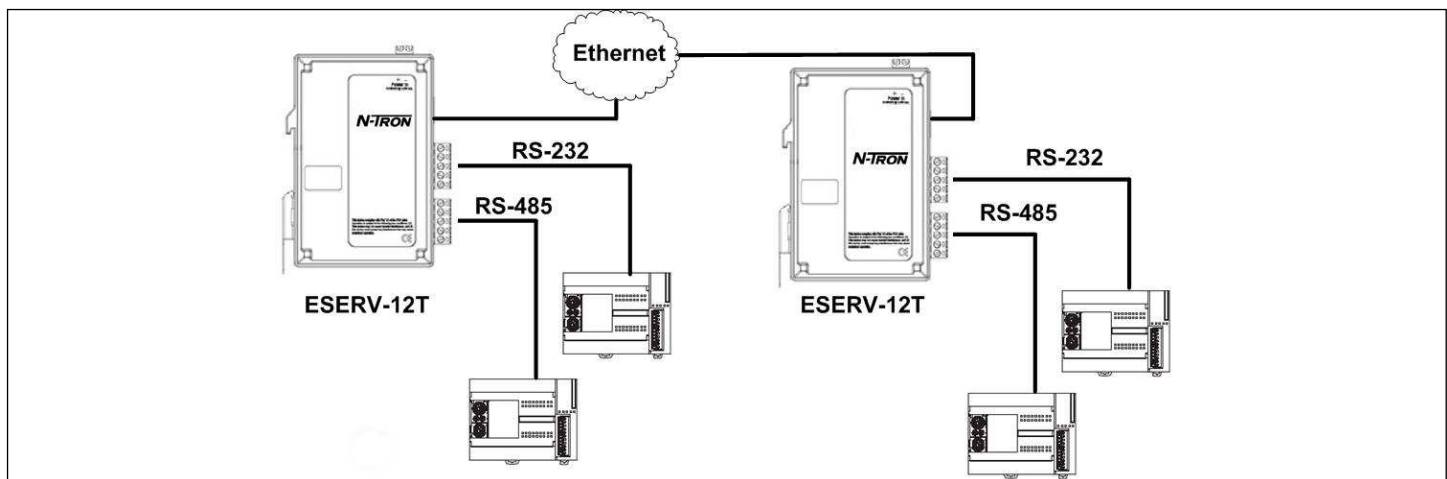
▶▶▶ ESERV-11T 12T Specifications



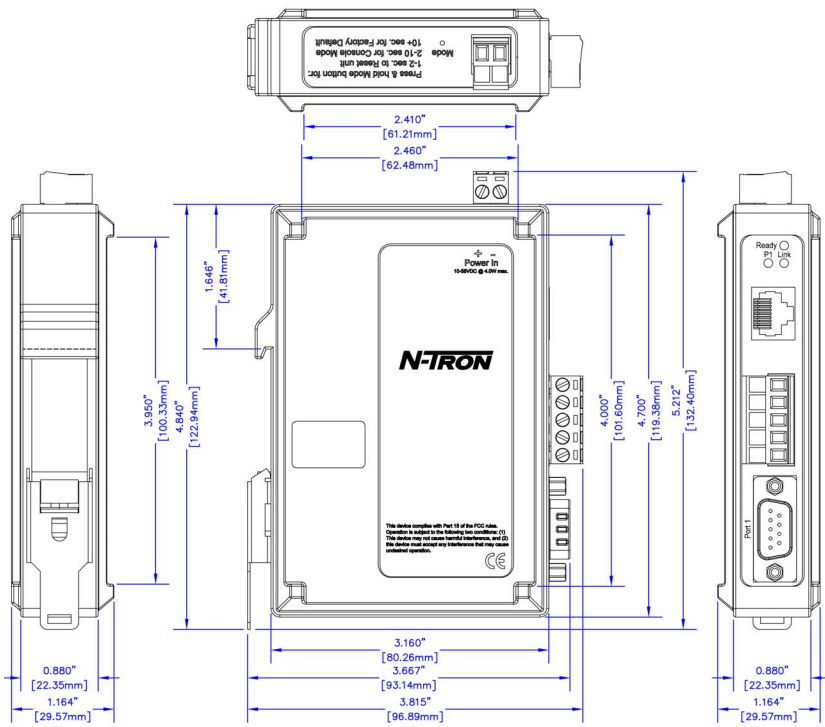
Virtual COM Mode - Allows a PC to communicate with serial devices through your network as if they were connected to a physical COM port on the PC.



Direct IP Mode - Allows TCP/IP or UDP/IP socket applications to communicate directly with serial devices



ESERV-11T



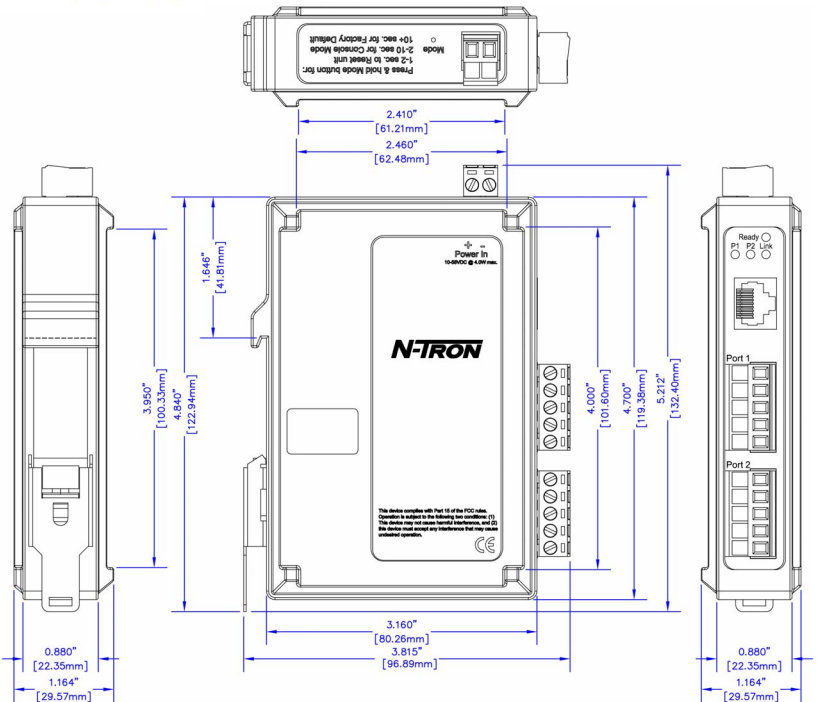
Ordering Information

- ESERV-11T Ethernet to Serial Server with (1) Serial port (DB9 or TB connector); (1) Ethernet port (RJ-45)
- ESERV-11T-ST Ethernet to Serial Server with (1) Serial port (DB9 or TB connector); (1) Ethernet Multimode Fiber port (ST style connector)
- NTPS-24-1.3 N-TRON Power Supply 1.2 Amp @ 24VDC

ESERV-12T

Ordering Information

- ESERV-12T Ethernet to Serial Server with (2) Serial ports (TB connectors); (1) Ethernet port (RJ-45)
- ESERV-12T-ST Ethernet to Serial Server with (2) Serial ports (TB connectors); (1) Ethernet Multimode Fiber port (ST style connector)
- NTPS-24-1.3 N-TRON Power Supply 1.2 Amp @ 24VDC



www.redlion.net

Connect. Monitor. Control.

Americas
sales@redlion.net

Asia-Pacific
asia@redlion.net

Europe
Middle East
Africa
europe@redlion.net

+1 (717) 767-6511

As the global experts in communication, monitoring and control for industrial automation and networking, Red Lion has been delivering innovative solutions for over forty years. Our award-winning technology enables companies worldwide to gain real-time data visibility that drives productivity. Product brands include Red Lion, N-Tron and Sixnet. With headquarters in York, Pennsylvania, the company has offices across the Americas, Asia-Pacific and Europe. For more information, please visit www.redlion.net. Red Lion is a Spectris company.