



Chipsmall Limited consists of a professional team with an average of over 10 year of expertise in the distribution of electronic components. Based in Hongkong, we have already established firm and mutual-benefit business relationships with customers from,Europe,America and south Asia,supplying obsolete and hard-to-find components to meet their specific needs.

With the principle of “Quality Parts,Customers Priority,Honest Operation,and Considerate Service”,our business mainly focus on the distribution of electronic components. Line cards we deal with include Microchip,ALPS,ROHM,Xilinx,Pulse,ON,Everlight and Freescale. Main products comprise IC,Modules,Potentiometer,IC Socket,Relay,Connector.Our parts cover such applications as commercial,industrial, and automotives areas.

We are looking forward to setting up business relationship with you and hope to provide you with the best service and solution. Let us make a better world for our industry!



Contact us

Tel: +86-755-8981 8866 Fax: +86-755-8427 6832

Email & Skype: info@chipsmall.com Web: www.chipsmall.com

Address: A1208, Overseas Decoration Building, #122 Zhenhua RD., Futian, Shenzhen, China



ESMIT-4180/C

CBM5D33



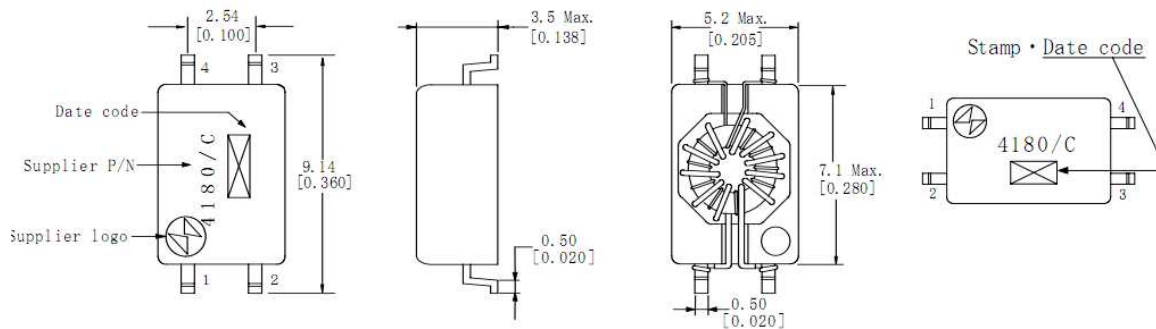
Description

- Reference Design in Freescale HV/EV Battery Management
- System MC33771 and MC33664
- Low Profile
- Qualified to AEC-Q200
- High Voltage Isolation 3750Vrms
- Operating Temperature: -40°C to +125°C
- Optimize Core Material for low temperature operation

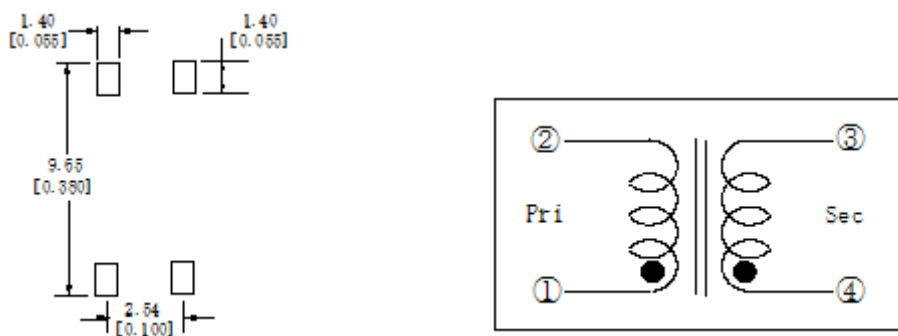
Applications

- Automotive and Industrial Applications

Dimension – mm [inch]



Recommended PCB Pad Layout - mm [inch]



Note: This specification is subject to change without notice. Please contact your nearest sales office for updated information when placing an order.

ESMIT-4180/C

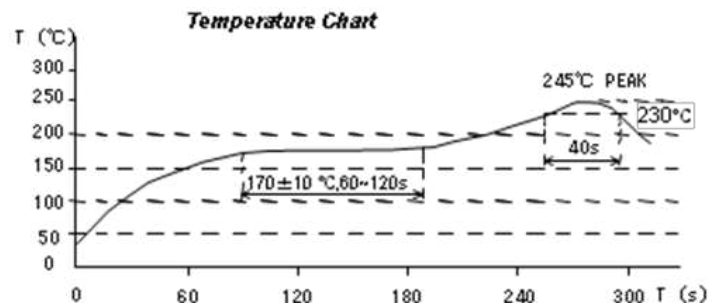
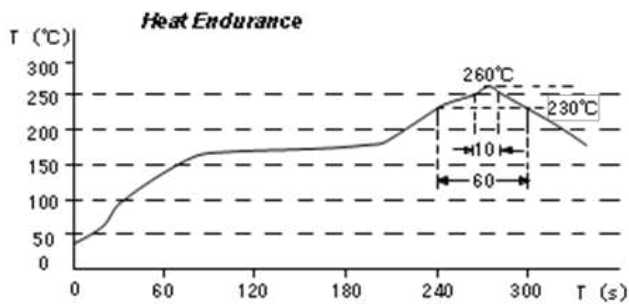
CBM5D33



Electrical Characteristics @ 25°C

PARAMETER	CONDITIONS	VALUE	UNITS	TOLERANCE
Inductance (OCL)	100 kHz, 0.01 V, (1-2)	125	μH	Min.
Inductance (OCL)	100 kHz, 0.01v , (1.2), -40°C	120	μH	Nom.
DC Resistance (DCR)	(1-2)	0.25	Ω	Max.
	(4-3)	0.25	Ω	Ma.
Dielectric Breakdown Isolation (equivalent to 1 min, 3000 Vrms)	1 sec, (1-4) Max Leakage current 0.5mA	3750	Vrms	Min.
Operating Temperature		-40 to +105	°C	Nom.

Soldering Reflow Profile



For sales office information, please [click here](#) to visit our website.

Note: This specification is subject to change without notice. Please contact your nearest sales office for updated information when placing an order.