



Chipsmall Limited consists of a professional team with an average of over 10 year of expertise in the distribution of electronic components. Based in Hongkong, we have already established firm and mutual-benefit business relationships with customers from,Europe,America and south Asia,supplying obsolete and hard-to-find components to meet their specific needs.

With the principle of “Quality Parts,Customers Priority,Honest Operation,and Considerate Service”,our business mainly focus on the distribution of electronic components. Line cards we deal with include Microchip,ALPS,ROHM,Xilinx,Pulse,ON,Everlight and Freescale. Main products comprise IC,Modules,Potentiometer,IC Socket,Relay,Connector.Our parts cover such applications as commercial,industrial, and automotives areas.

We are looking forward to setting up business relationship with you and hope to provide you with the best service and solution. Let us make a better world for our industry!



## Contact us

Tel: +86-755-8981 8866 Fax: +86-755-8427 6832

Email & Skype: info@chipsmall.com Web: www.chipsmall.com

Address: A1208, Overseas Decoration Building, #122 Zhenhua RD., Futian, Shenzhen, China



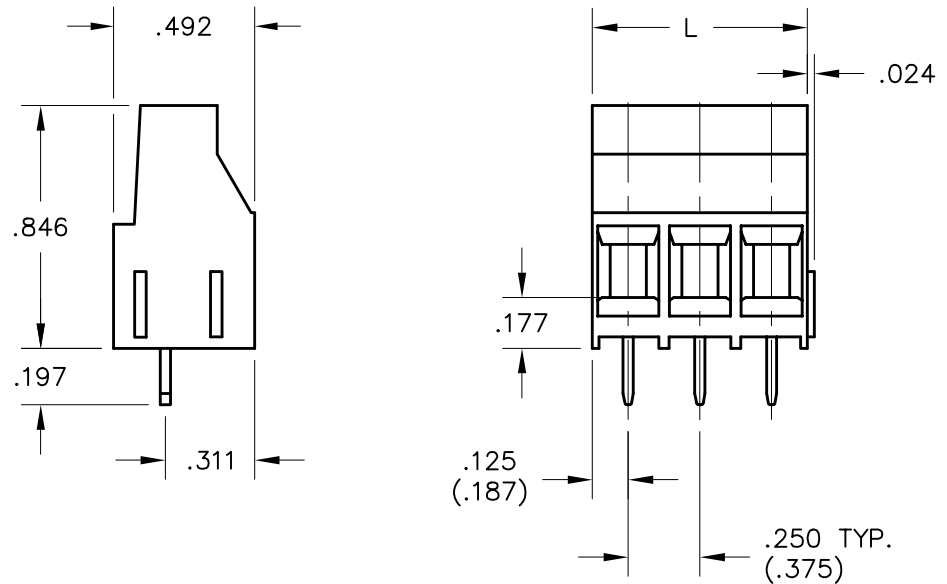
REV	ECN	APPD
-	4785	

L=PITCH X POSITIONS

NOTES:

1 PARTS GREATER THAN 3 POSITIONS ASSEMBLED WITH APPROPRIATE COMBINATIONS OF 2 AND 3 POSITION MODULES. (3 POSITION MODULE SHOWN)

2 9.52MM PITCH DIMENSIONS INDICATED IN PARENTHESES.



ESPMXXX00

1 NUMBER OF POSITIONS

2 PITCH:  
1=.250[6.35MM]  
2=.375[9.52MM]

**UL**  
RATINGS  
CURRENT - 30A  
VOLTAGE - 300V(600V)  
U.L. FILE NO.

**SA**  
RATINGS  
CURRENT - 32A  
VOLTAGE - 450V(600V)  
CSA FILE NO.

DIN VDE 0627:1986  
DIN VDE 0110-1:1989  
EN 60947-1:1991  
EN 60947-7-1:1992  
  
CURRENT - 32A  
VOLTAGE - 450V(750V)  
TUV FILE NO.

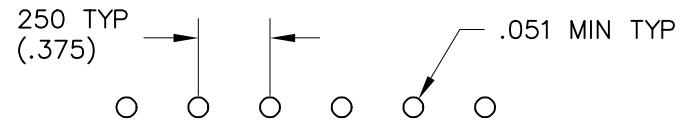
**INSTALLATION RECOMMENDATIONS**

WIRE RANGE: 10-30 AWG  
WIRE STRIP LENGTH: .280-.310  
TIGHTENING TORQUE: 7.1 LB-IN.

**MATERIALS**

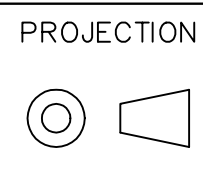
HOUSING: POLYAMIDE 6,6, COLOR: BLACK  
CONTACT: COPPER ALLOY, TIN PLATED  
SCREW / CAGE CLAMP: COPPER ALLOY, NICKEL PLATED

OPERATING TEMPERATURE RANGE: -40°C TO 110°C  
RECOMMENDED PCB THICKNESS: .157" MAX

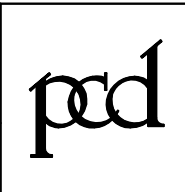


DIMENSIONS  
ANSI Y14.5M  
UNITS: INCHES  
ACAD FILE

TOLERANCES  
.XX ±.01  
.XXX ±.005  
ANGLES ±2°



**SPECIFICATION DRAWING**  
ENGR  
B. JAWORSKI 11/1/01  
CHKD  
APPD



TITLE  
ESPM TERMINAL BLOCK  
POWER BLOCK  
.250/.375 PITCH

ORIGINAL STAMPED IN RED

THIS DOCUMENT CONTAINS PROPRIETARY INFORMATION WHICH IS THE CONFIDENTIAL PROPERTY OF PCD, INC. PEABODY, MA, USA

SIZE  
A

DWG NO.  
**ESPM02100**  
CODE: 58982

REV  
-