



Chipsmall Limited consists of a professional team with an average of over 10 year of expertise in the distribution of electronic components. Based in Hongkong, we have already established firm and mutual-benefit business relationships with customers from,Europe,America and south Asia,supplying obsolete and hard-to-find components to meet their specific needs.

With the principle of “Quality Parts,Customers Priority,Honest Operation,and Considerate Service”,our business mainly focus on the distribution of electronic components. Line cards we deal with include Microchip,ALPS,ROHM,Xilinx,Pulse,ON,Everlight and Freescale. Main products comprise IC,Modules,Potentiometer,IC Socket,Relay,Connector.Our parts cover such applications as commercial,industrial, and automotives areas.

We are looking forward to setting up business relationship with you and hope to provide you with the best service and solution. Let us make a better world for our industry!



## Contact us

Tel: +86-755-8981 8866 Fax: +86-755-8427 6832

Email & Skype: info@chipsmall.com Web: www.chipsmall.com

Address: A1208, Overseas Decoration Building, #122 Zhenhua RD., Futian, Shenzhen, China



REV	ECN	APPD
-	4785	

L=PITCH X POSITIONS

NOTES:  
1. 4 POSITION SHOWN

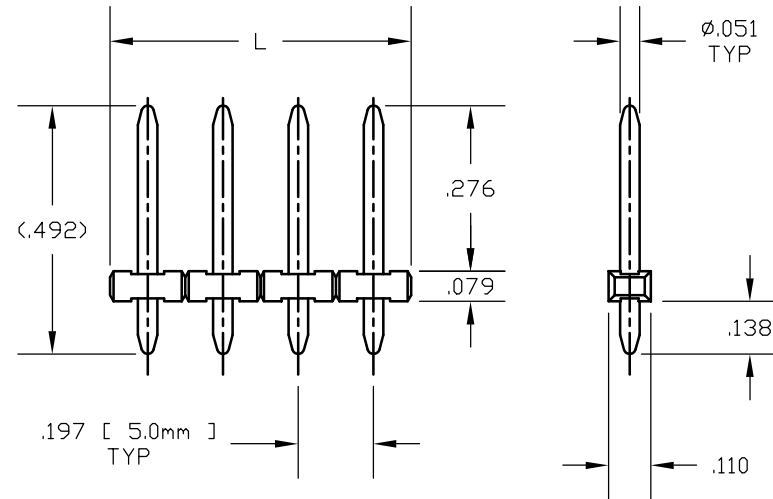
**RU**  
RATINGS  
CURRENT - 12A  
VOLTAGE - 300V  
U.L. FILE NO.

**SA**  
RATINGS  
CURRENT - 12A  
VOLTAGE - 300V  
CSA FILE NO.

DIN VDE 0627:1986  
DIN VDE 0110-1:1989  
EN 60947-1:1991  
EN 60947-7-1:1992  
  
CURRENT - 12A  
VOLTAGE - 250V  
TUV FILE NO.

ESZHXX160

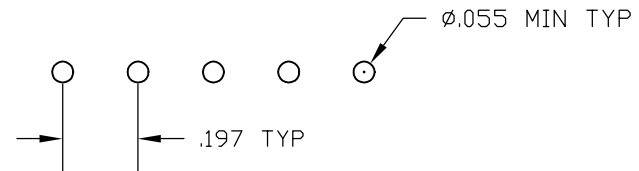
NUMBER OF POSITIONS (02-24)



OPERATING TEMPERATURE RANGE: -40°C TO 110°C  
RECOMMENDED PCB THICKNESS: .094 MAX

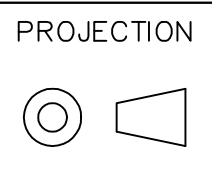
**MATERIALS**

HOUSING: POLYAMIDE 6/6, COLOR: BLACK  
CONTACT: COPPER ALLOY, TIN PLATED  
SCREW / CAGE CLAMP: COPPER ALLOY, NICKEL PLATED



DIMENSIONS  
ANSI Y14.5M  
UNITS: INCHES  
ACAD FILE

TOLERANCES  
.XX ±.01  
.XXX ±.005  
ANGLES ±2°



**SPECIFICATION DRAWING**  
ENGR  
I. QUINN 2/4/02



TITLE  
ESZH SERIES  
STICK PIN HEADER  
.197[5MM] PITCH

ORIGINAL STAMPED IN RED

THIS DOCUMENT CONTAINS PROPRIETARY INFORMATION WHICH IS THE CONFIDENTIAL PROPERTY OF PCD, INC. PEABODY, MA, USA

CHKD  
APPD

SIZE A DWG NO. ESZH02160 REV -  
CODE: 58982 SCALE: NONE SHEET 1 OF 1