



Chipsmall Limited consists of a professional team with an average of over 10 year of expertise in the distribution of electronic components. Based in Hongkong, we have already established firm and mutual-benefit business relationships with customers from,Europe,America and south Asia,supplying obsolete and hard-to-find components to meet their specific needs.

With the principle of “Quality Parts,Customers Priority,Honest Operation,and Considerate Service”,our business mainly focus on the distribution of electronic components. Line cards we deal with include Microchip,ALPS,ROHM,Xilinx,Pulse,ON,Everlight and Freescale. Main products comprise IC,Modules,Potentiometer,IC Socket,Relay,Connector.Our parts cover such applications as commercial,industrial, and automotives areas.

We are looking forward to setting up business relationship with you and hope to provide you with the best service and solution. Let us make a better world for our industry!



Contact us

Tel: +86-755-8981 8866 Fax: +86-755-8427 6832

Email & Skype: info@chipsmall.com Web: www.chipsmall.com

Address: A1208, Overseas Decoration Building, #122 Zhenhua RD., Futian, Shenzhen, China





PRODUCT NUMBER
20020516-MXXXXXLF

20020516 — □ □ □ □ □ ○ □ L F

PITCH
M: 7.62 mm

POLES
02: 2 POLES
03: 3 POLES
04: 4 POLES
24: 24 POLES

LF : DENOTED RoHS COMPATIBLE
1 : STANDARD PRODUCT
W/ BOX PACKING

SCREW CODE

CODE	SCREW TYPE	AVAILABILITY
A	-/+	ON REQUEST ONLY
B	-	STANDARD

PROPERTY TABLE	
FCI SERIES NAME 04-762	
PITCH (mm) 7.62	
VOLTAGE RATING (VAC) 300	
CURRENT RATING (A) 32	
APPLICABLE WIRE RANGE (AWG)	1-WIRE 8~24
	2-WIRE 14
WIRE CROSS SECTION (mm ²)	SOLID 1-WIRE 10
	SOLID 2-WIRE 2.5
	STRANDED 1-WIRE 6
	STRANDED 2-WIRE 4
OPENING CONTACT HOUSING(mm ²) 3.6x4.1	
WIRE STRIP LENGTH(mm) 10~11	
TORQUE +/-10% (N-m/Lb-in) 0.79/7.0	
SCREW M3.5x0.5	
WITHSTANDING VOLTAGE (kV) 1.6	
OPERATING TEMP. (°C) -40~+115	
SOLDERING TEMP. (°C) 250±10 (5 sec.)	
POLES AVAILABLE 02~16	
SAFETY CERTIFICATE	

HOUSING CODE

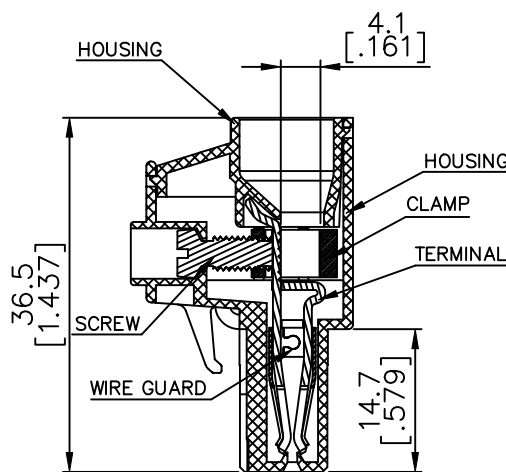
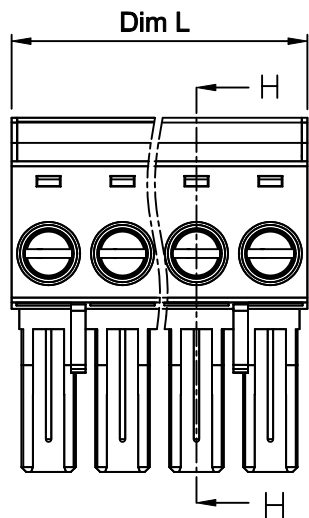
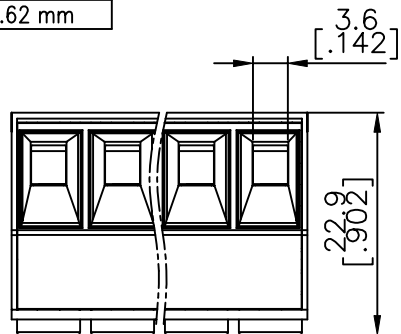
CODE	COLOR	AVAILABILITY
1	GREEN(RAL 6018/T)	STANDARD
2	BLACK	ON REQUEST ONLY
3	GREY(RAL 7004/P)	ON REQUEST ONLY
4	BLUE(RAL 5015/A)	ON REQUEST ONLY

NOTES:

- MATERIALS
 1-1 HOUSING: THERMALPLASTIC RESIN, UL 94V-0 RATED.
 1-2 SCREW: STEEL, ZINC PLATED.
 1-3 CLAMP: COPPER ALLOY, NICKEL PLATED.
 1-4 TERMINAL: COPPER ALLOY, TIN PLATED.
 1-5 WIRE GUARD: STAINLESS STEEL.
 2. PRODUCTION SPECIFICATION REFER TO FCI GS-12-625.
 3. BOXED PACKAGING.
 DETAILED PRODUCT PACKING SPECIFICATION REFER TO FCI GS-14-1394.
 4. FCI, SAFETY CERTIFICATE LOGO AND SERIES NAME TO BE SHOWN ON PRODUCT SURFACE.
 5. THE PRODUCTS WHERE THE PART NUMBER END IN "LF" MEET THE EUROPEAN UNION DIRECTIVE AND OTHER COUNTRY REGULATIONS AS DESCRIBED IN GS-22-008.

mat'l. code				surface ASME Y14.5	tolerance ASME Y14.5	projection	product family
tolerances unless otherwise specified							TERMINAL BLOCK
ltr	ecn no	dr	date	angles	to 100	MM	title
A	DG09-0203	BF	062509	X.±0.5[.020]		[INCH]	TERMINAL BLOCK
B	T09-1148	BF	111709	X.X±0.3[.012]			PLUGGABLE PLUG, CONTACT DOWN SIDE
C	T09-1152	BF	112809	X'±1"	X.XX±0.1[.004]	scale	sheet 1 of 2 size
D	T10-0042	WL	030310	dr	BEER FU	062509	dwg no
E	T10-0159	WL	100410	enr	BEER FU	062509	20020516
F	T10-0187	WL	121410	chr	GARY HSIEH	062509	A4
G	T-004746	WL	072211	appd	JOSEPH HSIA	062509	type
sheet index				revision	G	G	CUSTOMER Drawing
				sheet	1	2	

PRODUCT NUMBER	SERIES NAME	PITCH
20020516-MXXXXXXLF	04-762	7.62 mm

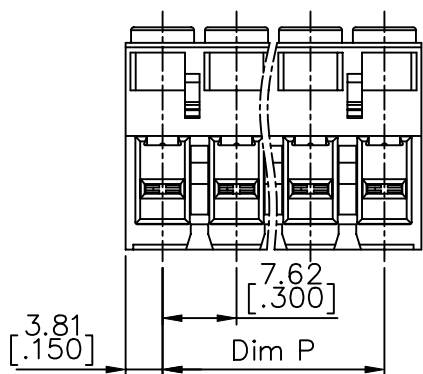


N= NUMBER OF POLES
DIMENSION

Dim L	$N * 7.62 [.300]$
Dim P	$(N - 1) * 7.62 [.300]$

Poles	Tolerance
2P-4P	$\pm 0.10 [.004]$
5P-8P	$\pm 0.20 [.008]$
9P-12P	$\pm 0.30 [.012]$
13P-16P	$\pm 0.40 [.016]$

SECTION H-H



mat'l. code	surface ASME Y14.5 ✓	tolerance ASME Y14.5	projection 	product family TERMINAL BLOCK
ltr	ecn no	dr	date	title
G				TERMINAL BLOCK PLUGABLE, PLUG, POWER, W/O FLANGE
	angles	in	tolerances unless otherwise specified	scale
			X. $\pm 0.5 [.020]$	MM
			X.X $\pm 0.3 [.012]$	[INCH]
			X* ± 1	X.XX $\pm 0.1 [.004]$
dr	BEER FU	062509		dwg no
enr	BEER FU	062509		sheet 2 of 2 size
chr	GARY HSIEH	062509		20020516
appd	JOSEPH HSIA	062509		A4
sheet index	revision sheet			type CUSTOMER Drawing

