



Chipsmall Limited consists of a professional team with an average of over 10 year of expertise in the distribution of electronic components. Based in Hongkong, we have already established firm and mutual-benefit business relationships with customers from,Europe,America and south Asia,supplying obsolete and hard-to-find components to meet their specific needs.

With the principle of “Quality Parts,Customers Priority,Honest Operation,and Considerate Service”,our business mainly focus on the distribution of electronic components. Line cards we deal with include Microchip,ALPS,ROHM,Xilinx,Pulse,ON,Everlight and Freescale. Main products comprise IC,Modules,Potentiometer,IC Socket,Relay,Connector.Our parts cover such applications as commercial,industrial, and automotives areas.

We are looking forward to setting up business relationship with you and hope to provide you with the best service and solution. Let us make a better world for our industry!



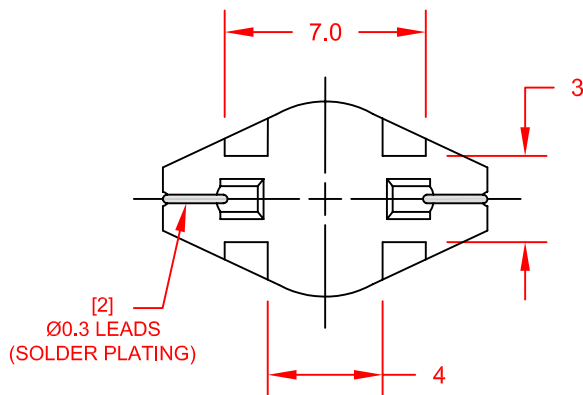
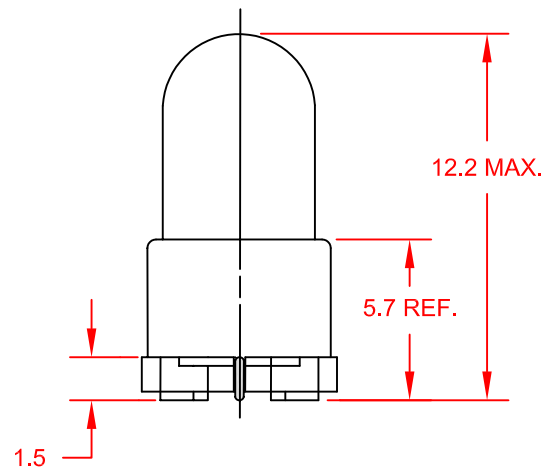
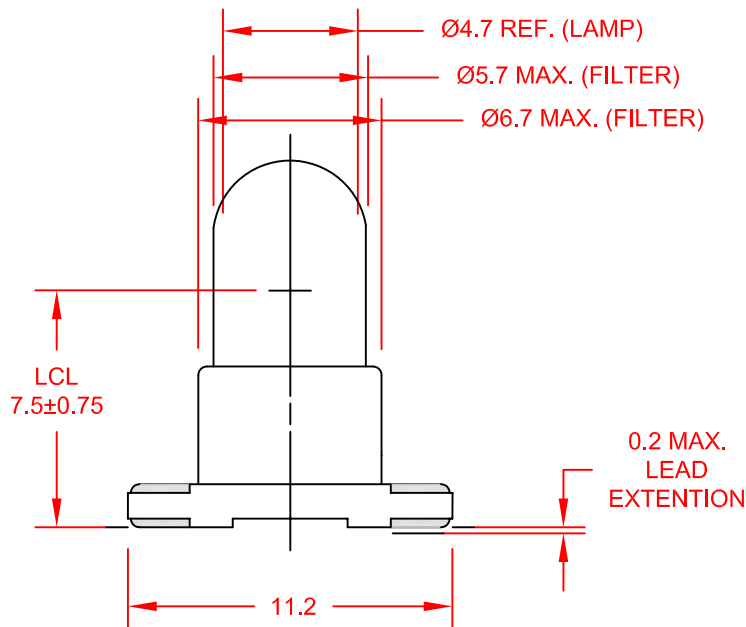
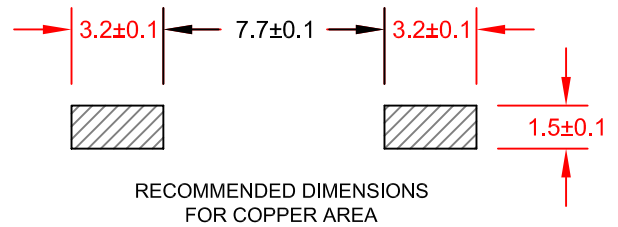
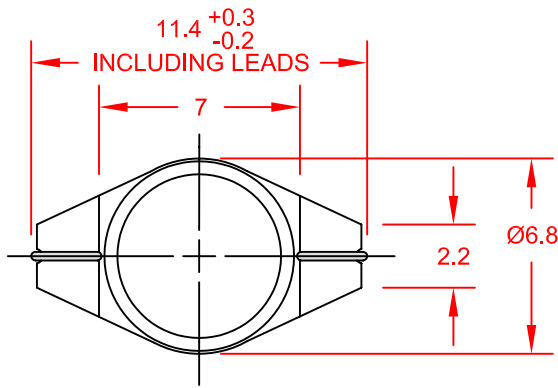
Contact us

Tel: +86-755-8981 8866 Fax: +86-755-8427 6832

Email & Skype: info@chipsmall.com Web: www.chipsmall.com

Address: A1208, Overseas Decoration Building, #122 Zhenhua RD., Futian, Shenzhen, China





JKL P/N: ETB1-EW87/BLA/39-31-5A***

JKL LAMP NUMBER: EW87**
 VOLTS RATED: 14.0
 AMPS ± 10% .140
 *MSCP ± 25%: .95
 *LUMENS ° ± 25%: 12.00
 AVG. LIFE HOURS: 7,000
 FILAMENT TYPE: C-2V

BASE COLOR: BLACK

* LAMP RATED ONLY.

** LAMP GLASS LEAD (Pb) FREE.

*** LAMP AND BASE ASSEMBLY LEAD (Pb) FREE

CONTACT JKL FOR LEAD (Pb) FREE LOT IDENTIFICATION.

JKL FILTER NUMBER: 39-31-5A
 COLOR COORDINATES (SPHERE):
 u' = .1140 ± .016
 v' = .4905 ± .016

METRIC
 DIMENSIONS ARE IN MILLIMETERS
 TOLERANCE UNLESS OTHERWISE SPECIFIED
 1 PL +/- 0.2
 2 PL +/- 0.20
 ANGLE +/- 0

THIRD ANGLE PROJECTION

JKL COMPONENTS CORPORATION

TITLE T-1 1/2 REVERSE SURFACE MOUNT LAMP WITH FILTER

REV. NO.	DESCRIPTION/ECO NUMBER	APPVD DATE
B	CHANGE TO (Pb) FREE ASSEMBLY	2/25/05
A	DIMENSION ADDITION & CHANGES	1/12/01
	RELEASED AND CANCEL P-0001-06	12/14/00

DRAWN BY	APPVD BY	DATE
L. WENGSTROM	JK	2/25/05
- CAD DRAWING - MANUAL REVISIONS NOT PERMITTED		

SIZE	FSCM NO.	DRAWING NO.	RELEASED DATE	REVISION DATE	REV. NO.	SHEET
A	55335	ETB1-EW87/BLA/39-31-5A	12/14/00	2/25/05	B	1 OF 1
SCALE	NONE					