



Chipsmall Limited consists of a professional team with an average of over 10 year of expertise in the distribution of electronic components. Based in Hongkong, we have already established firm and mutual-benefit business relationships with customers from,Europe,America and south Asia,supplying obsolete and hard-to-find components to meet their specific needs.

With the principle of “Quality Parts,Customers Priority,Honest Operation,and Considerate Service”,our business mainly focus on the distribution of electronic components. Line cards we deal with include Microchip,ALPS,ROHM,Xilinx,Pulse,ON,Everlight and Freescale. Main products comprise IC,Modules,Potentiometer,IC Socket,Relay,Connector.Our parts cover such applications as commercial,industrial, and automotives areas.

We are looking forward to setting up business relationship with you and hope to provide you with the best service and solution. Let us make a better world for our industry!



Contact us

Tel: +86-755-8981 8866 Fax: +86-755-8427 6832

Email & Skype: info@chipsmall.com Web: www.chipsmall.com

Address: A1208, Overseas Decoration Building, #122 Zhenhua RD., Futian, Shenzhen, China





- ▶ Very low RMS jitter
- ▶ Short Lead time
- ▶ Pb Free/RoHS2 Compliant
- ▶ MSL 1
- ▶ Peak solder temp +260°C (10 sec)

ECSpressCON™ ETXO-H HCMOS TCXO

ETXO-H2 (2.5V) and ETXO-H3 (3.3V) low jitter, low current
SMD TCXO Temperature Compensated Crystal Oscillator.

OPERATING CONDITIONS / ELECTRICAL CHARACTERISTICS

PARAMETERS	CONDITIONS	ETXO-H2 (+2.5V)			ETXO-H3 (+3.3V)			UNITS
		MIN	TYP	MAX	MIN	TYP	MAX	
Frequency Range		10.000		250.00	10.000		250.000	MHz
Operating Temperature	Standard (L Option)	-30		+85	-30		+85	°C
	Extended (N Option)	-40		+85	-40		+85	°C
Storage Temperature		-55		+125	-55		+125	°C
Supply Voltage		+2.375	+2.5	+2.625	+2.97	+3.3	+3.63	VDC
Frequency Stability	Option A			± 2.5			± 2.5	ppm
	Option B*			± 1.0			± 1.0	ppm
Initial Calibration Tolerance	@+25°C ±2°C			±1.0			± 1.0	ppm
Current with output disabled			18			18		mA
Input Current	10.0 to 50.0 MHz			24			26	mA
	50.1 to 125.0 MHz			28			30	mA
	125.1 to 250 MHz			30			34	mA
Output Symmetry	@ 50%Vcc level			45/55			45/55	%
Aging	@ +25°C (/year)			±1			±1	ppm
Rise and Fall Times	10% Vdd to 90% level		1.5	3.0		1.5	3.0	nS
"0" level	VOL			10% Vdd			10% Vdd	VDC
"1" level	VOH	90% Vdd			90% Vdd			VDC
Output Load	HCMOS			15			15	pF
Output Enable	Pin 2 **	0.7%			0.7%			Vdd
Output Disable	Pin 2			0.3%			0.3%	Vdd
Output Enable Time				200			200	ns
Output Disable Time				50			50	ns
Phase Jitter, rms	12 KHz to 20 MHz		1.0			1.0		pS
Phase Jitter, rms	1.875 MHz to 20 MHz		<400			<400		fs
Frequency Stability	Voltage Change (±5%)			±0.2			±0.2	ppm
	Load Change (±10%)			±0.2			±0.2	ppm
	Reflow (1 reflow after 24 Hours)			±1.0			±1.0	ppm
MSL				1				

* Note: Consult ECS for availability.

** Note: Internal pull-up resistor active output if pin 2 is left open.

Part Number Guide					
Series	Voltage	Package	Stability	Operating Temp	Frequency
ETXO-H (HCMOS Output)	2 = +2.5V 3 = +3.3V	3 = 3.2 x 2.5 mm	B = ±1.0 ppm* C = ±2.5 ppm	L = -30 ~ +85°C M = -20 ~ +70°C N = -40 ~ +85°C*	Customer Specified

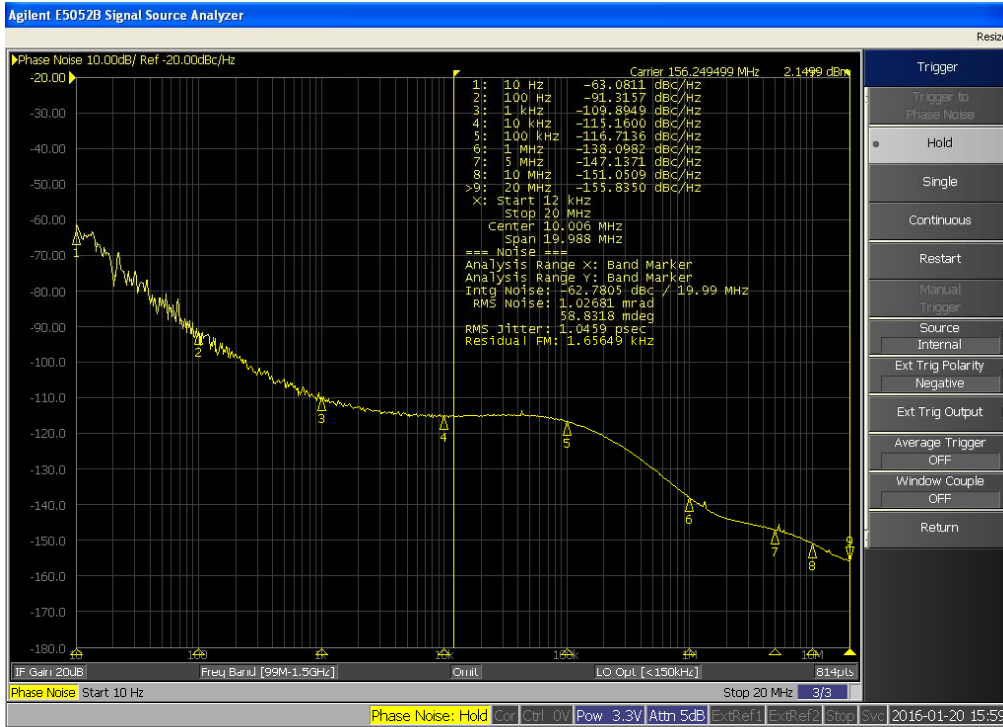
Example ETXO-H33CL-100.000



Phase Noise and Jitter Data (typical)

SSB Phase Noise Data (dBc/Hz typical)	Frequency (offset)	77.760	122.880	125.000	156.250	212.5
	10 Hz	-64	-68	-63	-63	-62
	100 Hz	-84	-99	-94	-91	-93
	1 KHz	-118	-113	-113	-109	-105
	10 KHz	-128	-119	-118	-115	-113
	100 KHz	-137	-120	-119	-116	-115
	1 MHz	-145	-140	-137	-138	-135
5 MHz	-152	-142	-146	-147	-143	
Phase Jitter pS 12 KHz ~ 20 MHz, RMS		0.9	0.8	1.1	1.0	1.0

Phase Noise Plot of ETXO-H33CL-156.250 (typical)



Package Data	
Item	Description
Lid	Metal
Base	Ceramic
Plating	Gold/Nickel Surface/Under



Dimensions (mm)

3 = 3.2x2.5 Package

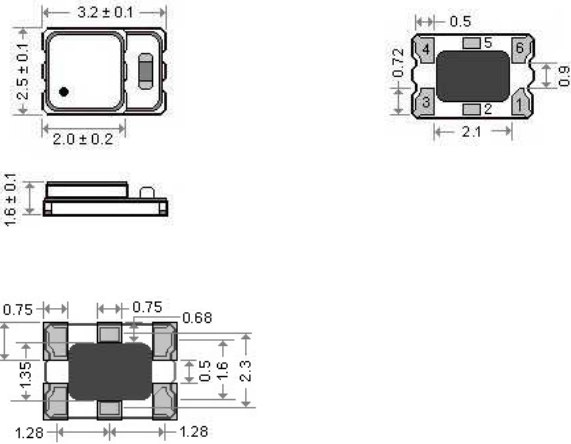


Figure 1) Top, Side, Bottom & Land

Pin Connections	
Pin #	Function
1	No Connect
2	Output Enable
3	Ground
4	Output
5	No Connect
6	Supply Voltage