



Chipsmall Limited consists of a professional team with an average of over 10 year of expertise in the distribution of electronic components. Based in Hongkong, we have already established firm and mutual-benefit business relationships with customers from,Europe,America and south Asia,supplying obsolete and hard-to-find components to meet their specific needs.

With the principle of “Quality Parts,Customers Priority,Honest Operation,and Considerate Service”,our business mainly focus on the distribution of electronic components. Line cards we deal with include Microchip,ALPS,ROHM,Xilinx,Pulse,ON,Everlight and Freescale. Main products comprise IC,Modules,Potentiometer,IC Socket,Relay,Connector.Our parts cover such applications as commercial,industrial, and automotives areas.

We are looking forward to setting up business relationship with you and hope to provide you with the best service and solution. Let us make a better world for our industry!



Contact us

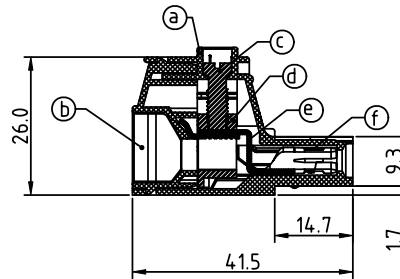
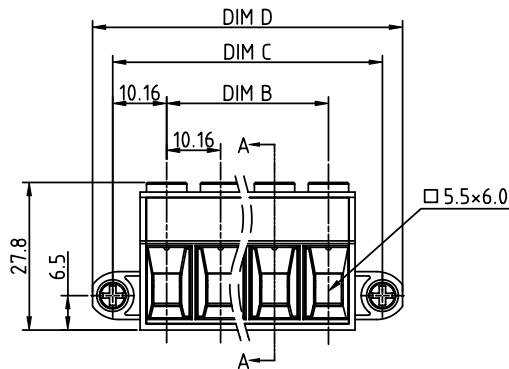
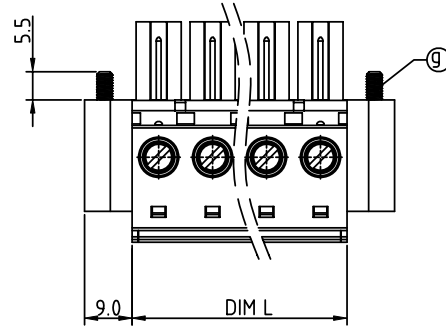
Tel: +86-755-8981 8866 Fax: +86-755-8427 6832

Email & Skype: info@chipsmall.com Web: www.chipsmall.com

Address: A1208, Overseas Decoration Building, #122 Zhenhua RD., Futian, Shenzhen, China



PRODUCT NUMBER	PITCH
EVxx61x100J0G	10.16mm



SECTION A-A

Material

- Item ① Terminal body :Thermoplastic (UL94V-0)
- Item ② Terminal cover:Thermoplastic (UL94V-0)
- Item ③ Terminal screw :Steel Cr3+ Zinc plating "-" slot type
- Item ④ Clamp: Brass, Ni plated
- Item ⑤ Female contact :Copper Tin plated
- Item ⑥ Wire guard :Stainless Steel
- Item ⑦ With flange screw :Steel Zinc plating M3"/+/-"slot type

Electrical cULus / IEC

- Voltage rating: 300VAC / 1000VAC
- Current rating: 55A / 76A
- Solid wire: 6-20 / 0.5-16mm²
- Stranded wire: 6-20 / 0.5-16mm²
- Torque: 10.4 Lb-In / 1.2 N.m
- Screw: M4.5
- Wire strip length: 13-14mm
- Withstanding Voltage: 1.6KV / 8KV
- Operating temperature: -40°C to +115°C
- Safety Approval:

DIMENSION

Dim L	(N-1)×10.16+10.0
Dim B	(N-1)×10.16
Dim C	(N-1)×10.16+20.32
Dim D	(N-1)×10.16+27.92

N=Number of poles

Poles	Tolerance
2p-6p	±0.25
7p-12p	±0.35

PART NO.: EV xx 61 x 1 00J0 G

Solid block	0	Color	Black (RAL9005)	RoHS compliant	(lead<4%)
No. of poles	2		Red (RAL3001/D)	In copper Alloy	
02 2 poles	3		Orange(RAL2011/P)		
03 3 poles	4		Yellow(RAL1018/A)		
...	5		Green(RAL6018/T)		
12 12 poles	6		Blue (RAL5015/A)		
	8		Grey(RAL7035/D)		
	9		White(RAL1102)		
	C		Green(RAL6018/U)		

mat'l. code				surface ASME Y14.5	tolerance ASME Y14.5	projection 	product family TERMINAL BLOCK	
ltr	ecn	no	dr	tolerances unless otherwise specified		MM	title	
				angles	X.±0.5		TERMINAL BLOCK	
				±	X.X±0.3	scale	PLUGGABLE PLUG, WITH FLANGE	
				X'±1"	X.XX±0.1		dwg no	
				dr	EVIN ZHONG 041814		sheet 1 of 1	
				enrg	EVIN ZHONG 041814		size	
				chr	HANKE FENG 041814		EVxx61x100J0G	
				appd	SHI JUN 041814		A4	
sheet index	revision	A		type				CUSTOMER Drawing
	sheet	1						