



Chipsmall Limited consists of a professional team with an average of over 10 year of expertise in the distribution of electronic components. Based in Hongkong, we have already established firm and mutual-benefit business relationships with customers from,Europe,America and south Asia,supplying obsolete and hard-to-find components to meet their specific needs.

With the principle of "Quality Parts,Customers Priority,Honest Operation,and Considerate Service",our business mainly focus on the distribution of electronic components. Line cards we deal with include Microchip,ALPS,ROHM,Xilinx,Pulse,ON,Everlight and Freescale. Main products comprise IC,Modules,Potentiometer,IC Socket,Relay,Connector.Our parts cover such applications as commercial,industrial, and automotives areas.

We are looking forward to setting up business relationship with you and hope to provide you with the best service and solution. Let us make a better world for our industry!



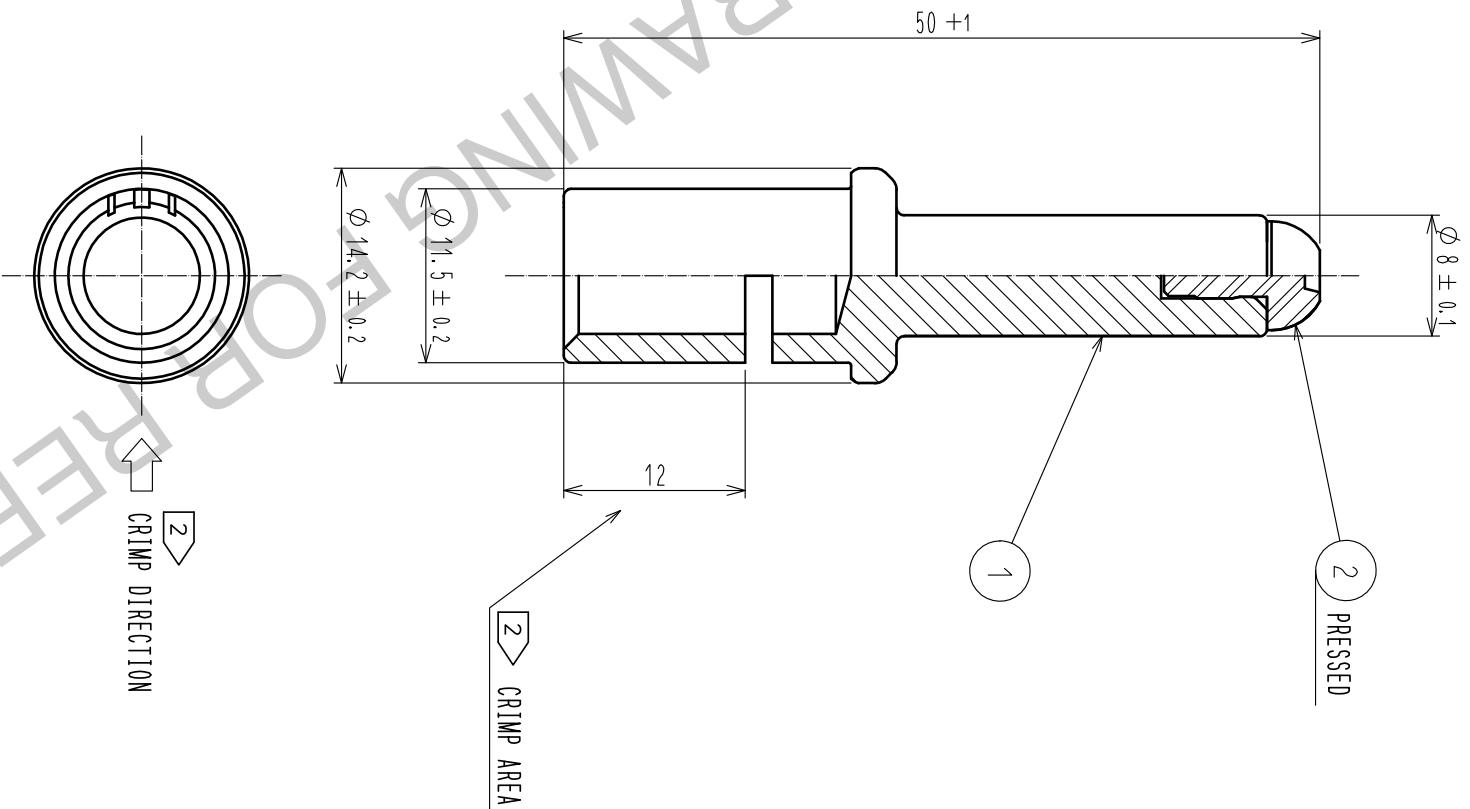
Contact us

Tel: +86-755-8981 8866 Fax: +86-755-8427 6832

Email & Skype: info@chipsmall.com Web: www.chipsmall.com

Address: A1208, Overseas Decoration Building, #122 Zhenhua RD., Futian, Shenzhen, China





△NOTES 1 APPLICABLE CRIMP CONTACT TOOL : JIS C 9711 IZUMI PRODUCTS COMPANY「9H-60」
 2 A CRIMP MARK IS CARRIED OUT TO THE CENTER OF CRIMP AREA FROM THE CRIMP DIRECTION.

1	COPPER ALLOY	△	SILVER PLATING 3μm MIN	2	POLYAMID	(BLACK) UL94V-0		
NO.	MATERIAL		FINISH . REMARKS	NO.	MATERIAL	FINISH . REMARKS		
UNITS			SCALE	COUNT	DESCRIPTION OF REVISIONS	DESIGNED	CHECKED	DATE
mm			2 : 1	2	DIS-C-00000288	HS.KAWASHIMA	YH.YAMADA	15.05.26
			APPROVED : SU. OBARA	DRAWING NO.		EDC4-117459-00		
			CHECKED : HY. KOBAYASHI	PART NO.		EV1-PC1-112		
			DESIGNED : YH. YAMADA	CODE NO.		CL139-0005-1-00		
			DRAWN : YH. YAMADA					

HRS HIROSE ELECTRIC CO., LTD.