



Chipsmall Limited consists of a professional team with an average of over 10 year of expertise in the distribution of electronic components. Based in Hongkong, we have already established firm and mutual-benefit business relationships with customers from,Europe,America and south Asia,supplying obsolete and hard-to-find components to meet their specific needs.

With the principle of “Quality Parts,Customers Priority,Honest Operation,and Considerate Service”,our business mainly focus on the distribution of electronic components. Line cards we deal with include Microchip,ALPS,ROHM,Xilinx,Pulse,ON,Everlight and Freescale. Main products comprise IC,Modules,Potentiometer,IC Socket,Relay,Connector.Our parts cover such applications as commercial,industrial, and automotives areas.

We are looking forward to setting up business relationship with you and hope to provide you with the best service and solution. Let us make a better world for our industry!



Contact us

Tel: +86-755-8981 8866 Fax: +86-755-8427 6832

Email & Skype: info@chipsmall.com Web: www.chipsmall.com

Address: A1208, Overseas Decoration Building, #122 Zhenhua RD., Futian, Shenzhen, China

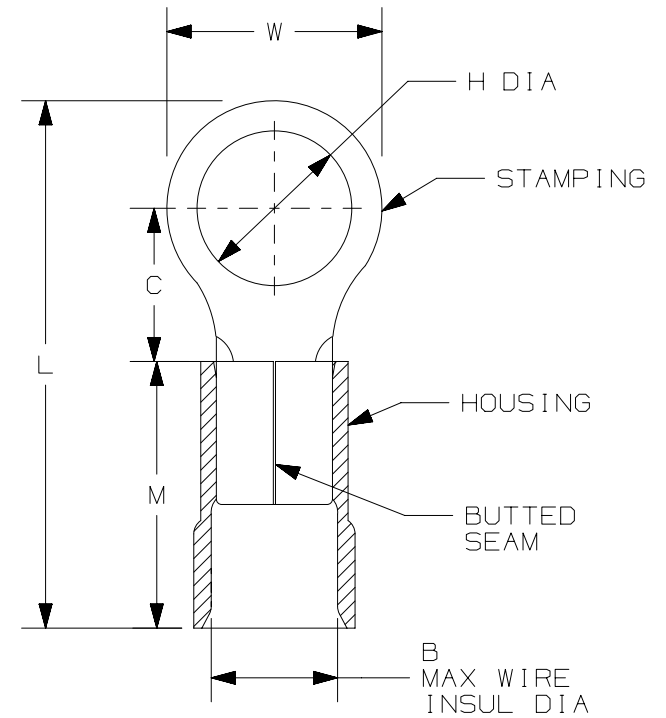


THIS COPY IS PROVIDED ON A RESTRICTED BASIS AND IS NOT TO BE USED IN ANY WAY DETRIMENTAL TO THE INTERESTS OF PANDUIT CORP.

PANDUIT PART NUMBER	WIRE SIZE AWG [mm ²]	STUD SIZE		HOUSING COLOR	DIMENSIONS - in. [mm]						WIRE STRIP LENGTH in [mm] +1/32 [0.8] -0	TOOLS
		ENGLISH	METRIC		L± .04 [1,1]	W± .01 [0,3]	C± .01 [0,3]	M± .02 [0,6]	H ^{+.02 [0,4]} -0	B		
EV14-38RB	#16-14 [1.5-2.5]	3/8"	M10	BLUE	1.20 [30.5]	0.54 [13.6]	0.55 [13.9]	0.39 [10.0]	0.41 [10.5]	.165 [4.2]	9/32" [6.8]	KST2000A
EV10-12RB	#12-10 [4.0-6.0]	1/2"	M12	YELLOW	1.52 [38.6]	0.76 [19.2]	0.63 [16.0]	0.51 [13.0]	0.51 [13.0]	.240 [6.1]	11/32" [8.8]	

NOTES:

- UL LISTED FOR:
 - STRANDED COPPER WIRE ONLY
 - 221°F (105°C) MAX TEMP RATING
 - 600V MAX VOLTAGE RATING
- MATERIAL:
 - STAMPING - COPPER, TIN PLATED
EV14-38RB: .031" [0.8] THICK
EV10-12RB: .039" [1.0] THICK
 - HOUSING - VINYL
- SEE WWW.PANDUIT.COM FOR PACKAGE QUANTITIES
- DIMENSIONS IN BRACKETS ARE METRIC EQUIVALENT



TITLE		STRONGHOLD RING TERMINALS VINYL INSULATED, BUTTED SEAM #16-10 AWG CUSTOMER DRAWING		
ITEM REVISION NAME		00123SS0/00		
DATASET FILE NAME		00123SS0_DC/00		
UNLESS OTHERWISE SPECIFIED, DIMENSIONAL TOLERANCES ARE: IN [mm]		MATERIAL: PANDUIT SEE NOTES		
.x ± .1 [2.54] .xxx ± .005 [0.13] .xx ± .01 [0.25] ANGLES ± 5°		DRAWING NUMBER: 00123SS0-DC		
THIRD ANGLE PROJECTION		SHEET 1 OF 1		
DRAWN BY	DATE	CHK	SCALE	SIZE
FES	-	LCA	N.T.S.	A

REV	DATE	BY	CHK	APR	DESCRIPTION	ECN
00	2/18	JHNU	TMR	RGB	DRAWING RELEASED	00123SS

D101000DA/12