



Chipsmall Limited consists of a professional team with an average of over 10 year of expertise in the distribution of electronic components. Based in Hongkong, we have already established firm and mutual-benefit business relationships with customers from,Europe,America and south Asia,supplying obsolete and hard-to-find components to meet their specific needs.

With the principle of “Quality Parts,Customers Priority,Honest Operation,and Considerate Service”,our business mainly focus on the distribution of electronic components. Line cards we deal with include Microchip,ALPS,ROHM,Xilinx,Pulse,ON,Everlight and Freescale. Main products comprise IC,Modules,Potentiometer,IC Socket,Relay,Connector.Our parts cover such applications as commercial,industrial, and automotives areas.

We are looking forward to setting up business relationship with you and hope to provide you with the best service and solution. Let us make a better world for our industry!



Contact us

Tel: +86-755-8981 8866 Fax: +86-755-8427 6832

Email & Skype: info@chipsmall.com Web: www.chipsmall.com

Address: A1208, Overseas Decoration Building, #122 Zhenhua RD., Futian, Shenzhen, China



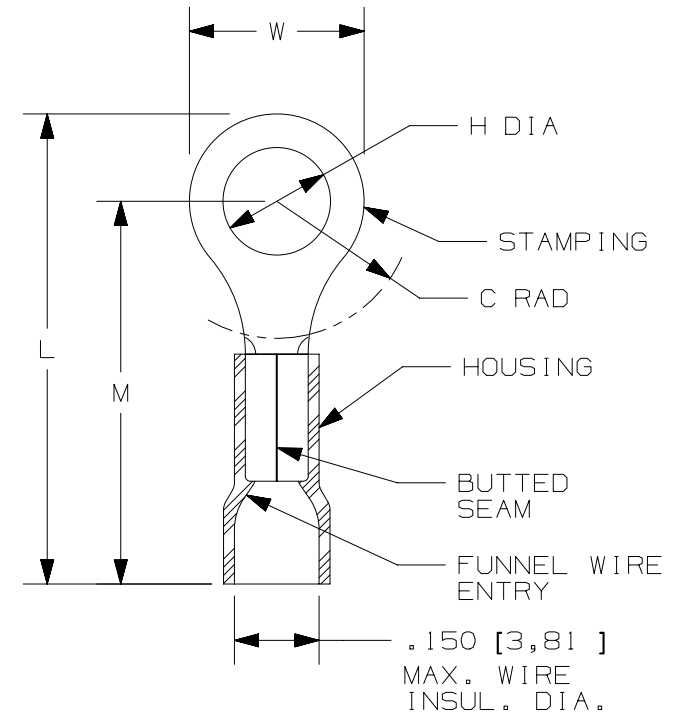
THIS COPY IS PROVIDED ON A RESTRICTED BASIS AND IS NOT TO BE USED IN ANY WAY DETRIMENTAL TO THE INTERESTS OF PANDUIT CORP.

PANDUIT PART #	STUD SIZE		DIMENSIONS in. [mm]				
	ENGLISH	METRIC	L ± .03 [0,51]	W ± .01 [0,25]	C ± .02 [0,38]	M ± .03 [0,51]	H ± .01 [0,25]
EV18-6RB	#6	M3	.86 [21,8]	.25 [6,4]	.22 [5,6]	.70 [17,8]	.15 [3,8]
EV18-8RB	#8	M4	.91 [23,1]	.31 [7,9]	.26 [6,6]	.78 [19,8]	.17 [4,3]
EV18-10RB	#10	M5	.94 [23,9]	.31 [7,9]	.27 [6,9]	.78 [19,8]	.20 [5,1]
EV18-14RB	1/4"	M6	1.11 [28,2]	.46 [11,7]	.37 [9,4]	.88 [22,4]	.27 [6,9]
EV18-56RB	5/16"	M8	1.11 [28,2]	.46 [11,7]	.39 [9,9]	.88 [22,4]	.34 [8,6]

*RATED FOR 167°F [75°C] MAX TEMP. WITH CT-100A

NOTES:

- USED FOR:
 - A. 22-18 AWG [0,5-1,0 mm²] SOLID OR STRANDED COPPER WIRE
 - B. 221°F [105°C] MAX. OPERATING TEMPERATURE
 - C. 600V. MAX. BLDG WIRE (1000 V. MAX. IN SIGNS, FIXTURES & LUMINAIRES)
- MATERIAL:
 - A. STAMPING: .032" [0,8] THK COPPER, TIN PLATED
 - B. HOUSING: VINYL, RED
- INSTALLATION TOOLS PANDUIT APPROVED:
 - A. UL APPROVED: CT-100A*, CT-600-A (CT-550CH)
CT-1550, CT-1551, CT-2500 (CT-2550CH)
 - B. PANDUIT APPROVED: CT-160, CT-260, CT-400
- WIRE STRIP LENGTH: 5/16" ^{+1/32}₋₀ [7,9mm ^{+0,8}₋₀]
- SEE www.panduit.com FOR PACKAGE QUANTITIES INDICATED BY PART NUMBER SUFFIX
- DIMENSIONS IN BRACKETS ARE METRIC EQUIVALENT



LISTED
587H
E52164



CERTIFIED
LR31212

TITLE						STRONGHOLD RING TERMINAL VINYL INSULATED, BUTTED SEAM #22-18 AWG CUSTOMER DRAWING			
ITEM REVISION NAME						00123STH/00			
DATASET FILE NAME						00123STH_DC/00			
UNLESS OTHERWISE SPECIFIED, DIMENSIONAL TOLERANCES ARE: IN [mm]						MATERIAL: SEE NOTES			
.x ± .1 [2,54] .xxx ± .005 [0,127] .xx ± .01 [0,25] ANGLES ± 5°									
DRAWING NUMBER:						SH41268			
DRAWN BY		DATE		CHK		SCALE		SIZE	
JHNU		2/18		TMR		N.T.S.		SHEET 1 OF 1	

00	2/18	JHNU	TMR	RGB	RELEASED	00123SH
REV	DATE	BY	CHK	APR	DESCRIPTION	ECN

D101000DA/12