



Chipsmall Limited consists of a professional team with an average of over 10 year of expertise in the distribution of electronic components. Based in Hongkong, we have already established firm and mutual-benefit business relationships with customers from,Europe,America and south Asia,supplying obsolete and hard-to-find components to meet their specific needs.

With the principle of “Quality Parts,Customers Priority,Honest Operation,and Considerate Service”,our business mainly focus on the distribution of electronic components. Line cards we deal with include Microchip,ALPS,ROHM,Xilinx,Pulse,ON,Everlight and Freescale. Main products comprise IC,Modules,Potentiometer,IC Socket,Relay,Connector.Our parts cover such applications as commercial,industrial, and automotives areas.

We are looking forward to setting up business relationship with you and hope to provide you with the best service and solution. Let us make a better world for our industry!



Contact us

Tel: +86-755-8981 8866 Fax: +86-755-8427 6832

Email & Skype: info@chipsmall.com Web: www.chipsmall.com

Address: A1208, Overseas Decoration Building, #122 Zhenhua RD., Futian, Shenzhen, China



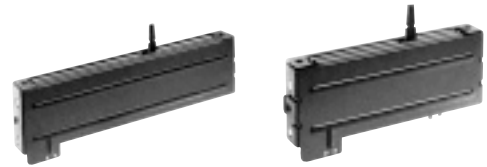
Rail Guided Faders for Audio Mixers

Japan

Type: **EVAJY/EVAJX**
EVBJSY/EVBJSX

■ Features

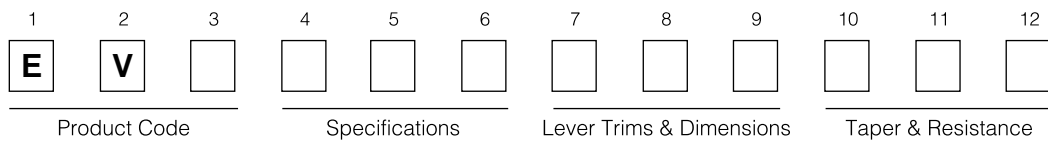
- Wobbleless, smooth travel with wet sliding feeling
- High reliability
- Precise attenuation characteristics
- Long life (100,000 cycles)



■ Recommended Applications

- Fader controls for Audio Mixers
- Audio Equipment

■ Explanation of Part Numbers



■ Major Specifications

Operating Force		0.1 N to 0.6 N
Standard Resistance*		5 kΩ, 10 kΩ, 20 kΩ
Power Rating		0.25 W
Taper*		A, B, C, D, Y
Operating Life		100000 cycles min.
Minimum Quantity/Packing Unit	EVAJY EVBJSY	50 pcs. (Tray Pack)
	EVAJX EVBJSX	20 pcs. (Tray Pack)
Quantity/Carton	EVAJY EVBJSY	50 pcs.
	EVAJX EVBJSX	80 pcs.

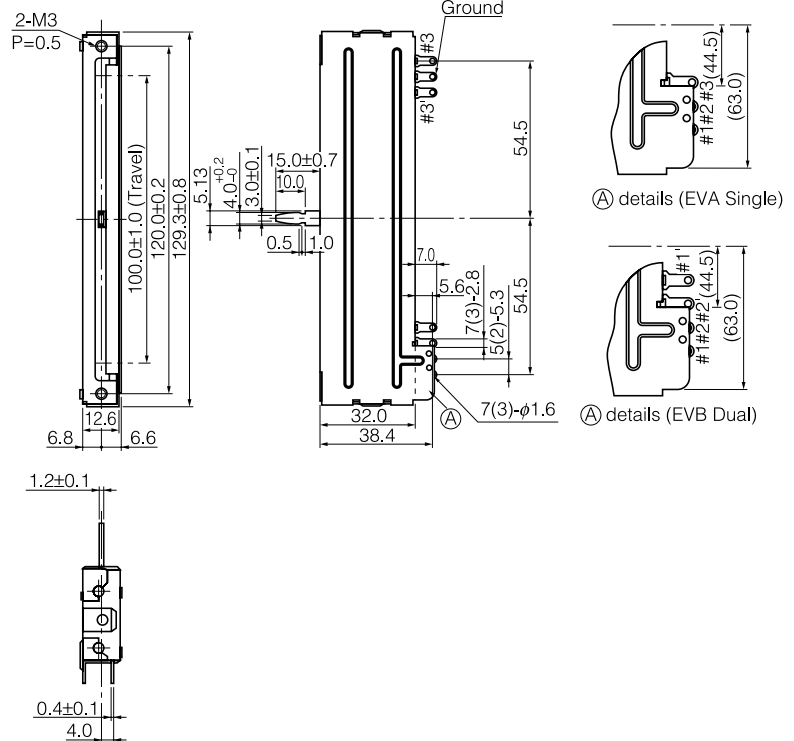

*Custom specifications negotiable

Note: Custom design for Lever Style is available

■ Dimensions in mm (not to scale)

- 100.0 mm Travel, Single EVAJY
- 100.0 mm Travel, Dual EVBJY

No. 1
Japan



2-M3
P=0.5

6.8 12.6 6.6

100.0±1.0 (Travel)
120.0±0.2
129.3±0.8

5.13
4.0^{+0.2}
3.0±0.1
15.0±0.7
10.0
0.5 1.0

Ground

#3 #3 #3

54.5

7.0
5.6
7(3)-2.8
5(2)-5.3
54.5

32.0
38.4

7(3)-φ1.6

(A) details (EVA Single)

#1 #2 #3 (44.5)
(63.0)

(A) details (EVB Dual)

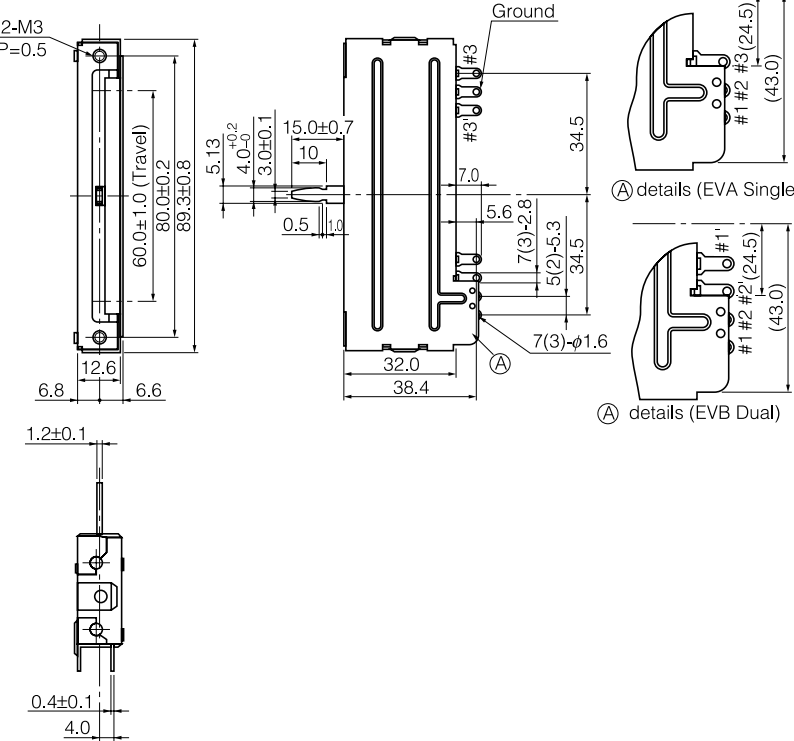

#1 #2 #3 (44.5)
(63.0)

1.2±0.1

0.4±0.1
4.0

- 60.0 mm Travel, Single EVAJX
- 60.0 mm Travel, Dual EVBJX

No. 2
Japan



2-M3
P=0.5

6.8 12.6 6.6

60.0±1.0 (Travel)
80.0±0.2
89.3±0.8

5.13
4.0^{+0.2}
3.0±0.1
15.0±0.7
10
0.5 1.0

Ground

#3 #3 #3

34.5

7.0
5.6
7(3)-2.8
5(2)-5.3
34.5

32.0
38.4

7(3)-φ1.6

(A) details (EVA Single)

#1 #2 #3 (24.5)
(43.0)

(A) details (EVB Dual)

#1 #2 #3 (24.5)
(43.0)

1.2±0.1

0.4±0.1
4.0