



Chipsmall Limited consists of a professional team with an average of over 10 year of expertise in the distribution of electronic components. Based in Hongkong, we have already established firm and mutual-benefit business relationships with customers from,Europe,America and south Asia,supplying obsolete and hard-to-find components to meet their specific needs.

With the principle of “Quality Parts,Customers Priority,Honest Operation,and Considerate Service”,our business mainly focus on the distribution of electronic components. Line cards we deal with include Microchip,ALPS,ROHM,Xilinx,Pulse,ON,Everlight and Freescale. Main products comprise IC,Modules,Potentiometer,IC Socket,Relay,Connector.Our parts cover such applications as commercial,industrial, and automotives areas.

We are looking forward to setting up business relationship with you and hope to provide you with the best service and solution. Let us make a better world for our industry!



## Contact us

Tel: +86-755-8981 8866 Fax: +86-755-8427 6832

Email & Skype: info@chipsmall.com Web: www.chipsmall.com

Address: A1208, Overseas Decoration Building, #122 Zhenhua RD., Futian, Shenzhen, China



### Mono Faders for Audio Mixers

Japan

Type: **EVANF/EVANE**

#### ■ Features

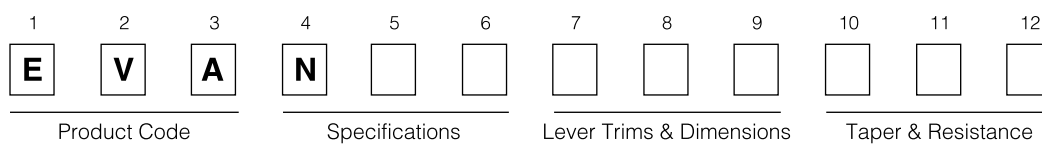
- Slim-type fader series: Width=9.0 mm, Height=8.0 mm
- Excellent cost performance available for audio mixers for amateur use

#### ■ Recommended Applications

- Fade control for Audio Mixers (popular type)
- MTR (Multi-track recorders)
- Paper position sensors (detectors) for PPC



#### ■ Explanation of Part Numbers



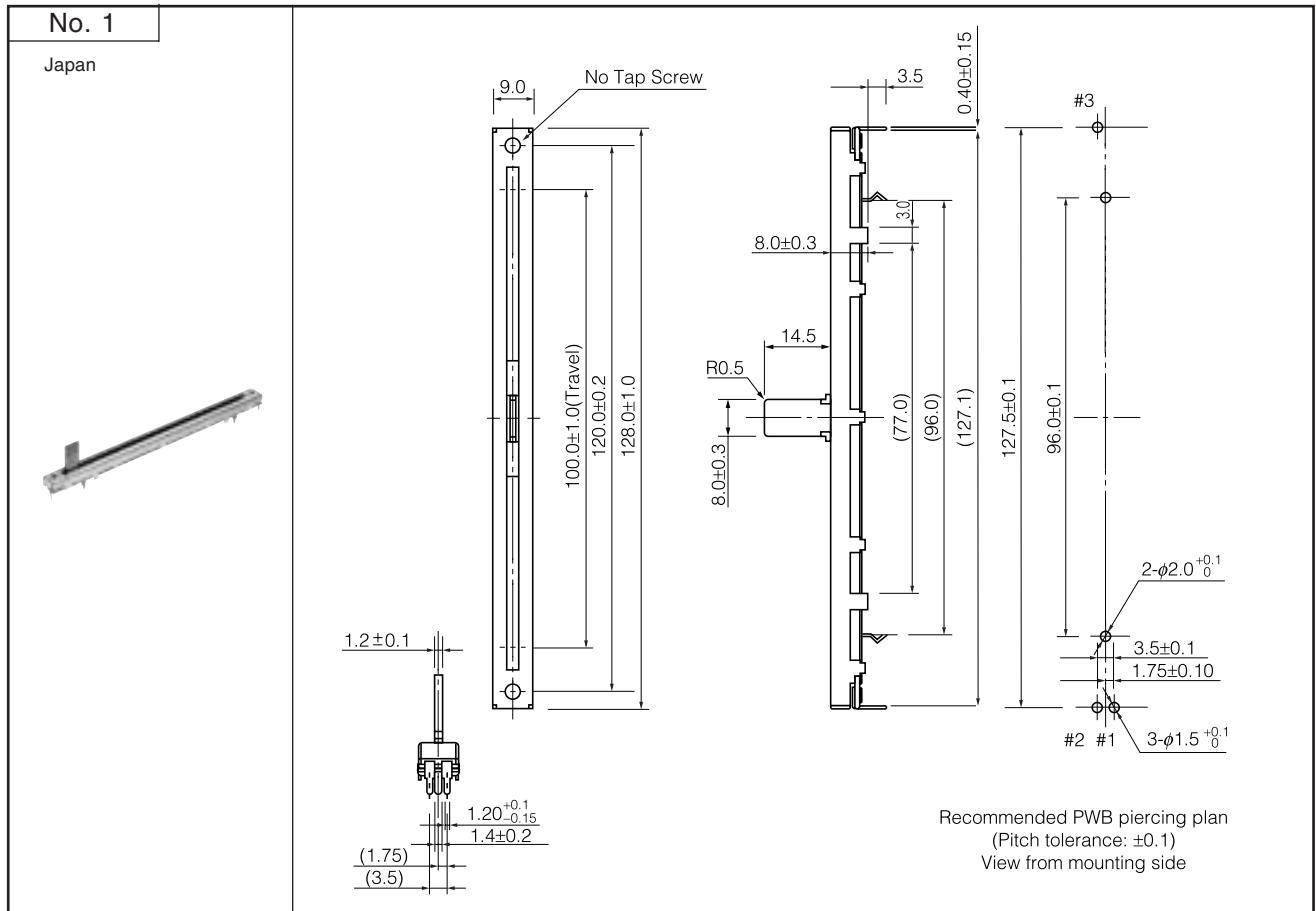
#### ■ Major Specifications

	Taper B		Others
	Power Rating	100.0 mm Type	0.5 W
	60.0 mm Type	0.2 W	0.1 W
	Max. Operating Voltage: 30 Vac max.		
Standard Resistance*	5 kΩ, 10 kΩ, 20 kΩ		
Taper*	A, B, D, Y		
Maximum Attenuation	100 dB min. (Except taper B)		
Operating Force	0.1 N to 1.0 N		
Operating Life	50000 cycles min.		
Minimum Quantity/Packing Unit	100 pcs. (Tray Pack)		
Quantity/Carton	500 pcs.		

Note: Customer's design for Lever Shape can be also negotiable.

■ Dimensions in mm (not to scale)

● 100.0 mm Travel, Single ..... EVANF



● 60.0 mm Travel, Single ..... EVANE

