



Chipsmall Limited consists of a professional team with an average of over 10 year of expertise in the distribution of electronic components. Based in Hongkong, we have already established firm and mutual-benefit business relationships with customers from,Europe,America and south Asia,supplying obsolete and hard-to-find components to meet their specific needs.

With the principle of “Quality Parts,Customers Priority,Honest Operation,and Considerate Service”,our business mainly focus on the distribution of electronic components. Line cards we deal with include Microchip,ALPS,ROHM,Xilinx,Pulse,ON,Everlight and Freescale. Main products comprise IC,Modules,Potentiometer,IC Socket,Relay,Connector.Our parts cover such applications as commercial,industrial, and automotives areas.

We are looking forward to setting up business relationship with you and hope to provide you with the best service and solution. Let us make a better world for our industry!



Contact us

Tel: +86-755-8981 8866 Fax: +86-755-8427 6832

Email & Skype: info@chipsmall.com Web: www.chipsmall.com

Address: A1208, Overseas Decoration Building, #122 Zhenhua RD., Futian, Shenzhen, China



Evaluating the **ADG5462F** User Defined Fault Protection and Detection, 10 Ω R_{ON}, Quad Channel Protector

FEATURES

Supply voltages

Dual supply: ± 5 V to ± 22 V

Single supply: 8 V to 44 V

Protected against overvoltage on source pins

Signal voltages up to -55 V and $+55$ V

LEDs for visual overvoltage indication

Parallel interface compatible with 3 V logic

On-board low dropout (LDO) regulator for digital supply and control, if required

EVALUATION KIT CONTENTS

EVAL-ADG5462FEBZ evaluation board

DOCUMENTS NEEDED

ADG5462F data sheet

EVAL-ADG5462FEBZ user guide

EQUIPMENT NEEDED

DC voltage source

± 22 V for dual supply

44 V for single supply

Optional digital logic supply: 3 V to 5 V

Analog signal source

Method to measure voltage, such as a digital multimeter (DMM)

GENERAL DESCRIPTION

The **EVAL-ADG5462FEBZ** is the evaluation board for the **ADG5462F**, which features an overvoltage protected quad channel protector. The **ADG5462F** has overvoltage detection and protection circuitry on the source pins and is protected against signals up to -55 V and $+55$ V in both the powered and unpowered states.

Figure 1 shows the **EVAL-ADG5462FEBZ** in a typical evaluation setup. The **ADG5462F** is soldered to the center of the evaluation board, and wire screw terminals are provided to connect to each of the source and drain pins. Three screw terminals power the device and a fourth terminal provides a user defined digital logic supply voltage, if required. Alternatively, a LDO regulator is provided for 5 V digital logic supply and to supply the LEDs, which are mounted to provide visual indication of the fault status of the switch.

Full specifications on the **ADG5462F** are available in the product data sheet, which should be consulted in conjunction with this user guide when using the evaluation board.

TABLE OF CONTENTS

Features	1	Power Supply.....	5
Evaluation Kit Contents.....	1	Input Signals.....	5
Documents Needed.....	1	Output Signals	5
Equipment Needed.....	1	Jumper Settings.....	6
General Description	1	Switches and 0 Ω Resitors	6
Revision History	2	SMB Connectors.....	6
Typical Evaluation Board Setup.....	3	Evaluation Board Schematics and Artwork.....	7
Getting Started	4	Ordering Information.....	11
Evaluation Board Setup Procedure	4	Bill of Materials.....	11
Evaluation Board Hardware	5		

REVISION HISTORY

11/15—Revision 0: Initial Version

TYPICAL EVALUATION BOARD SETUP

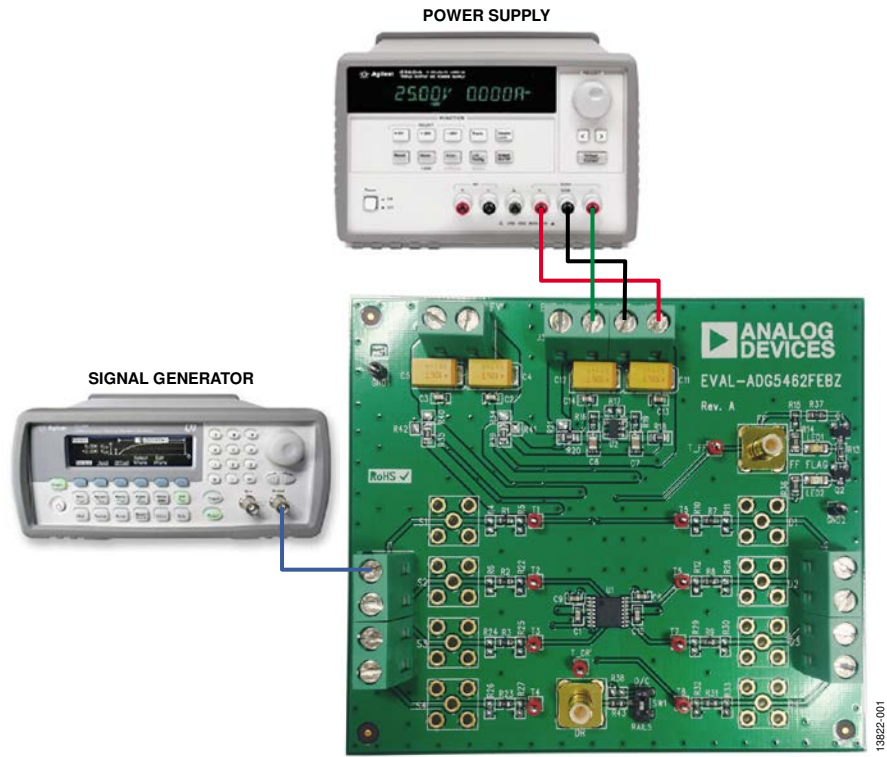


Figure 1.

GETTING STARTED

EVALUATION BOARD SETUP PROCEDURE

The EVAL-ADG5462FEBZ operates independently and does not require any additional evaluation boards or software to operate. An on-board LDO regulator is the digital power supply for the LEDs and manually controls the ADG5462F.

Supply the EVAL-ADG5462FEBZ with a dual power source of up to ±22 V or a single supply of up to +44 V by connecting VSS and GND together.

Follow these steps to conduct a functionality test:

1. Connect a power supply to J3. Connect VSS and GND together if a single supply is required.
2. Ensure that a 0 Ω resistor is inserted in R18 to use the on-board LDO regulator and that a 0 Ω resistor is inserted in R20.
3. Control the digital signals for the ADG5462F by using SW1.
4. Verify that LED1 is green; this indicates that the mux is operating normally.

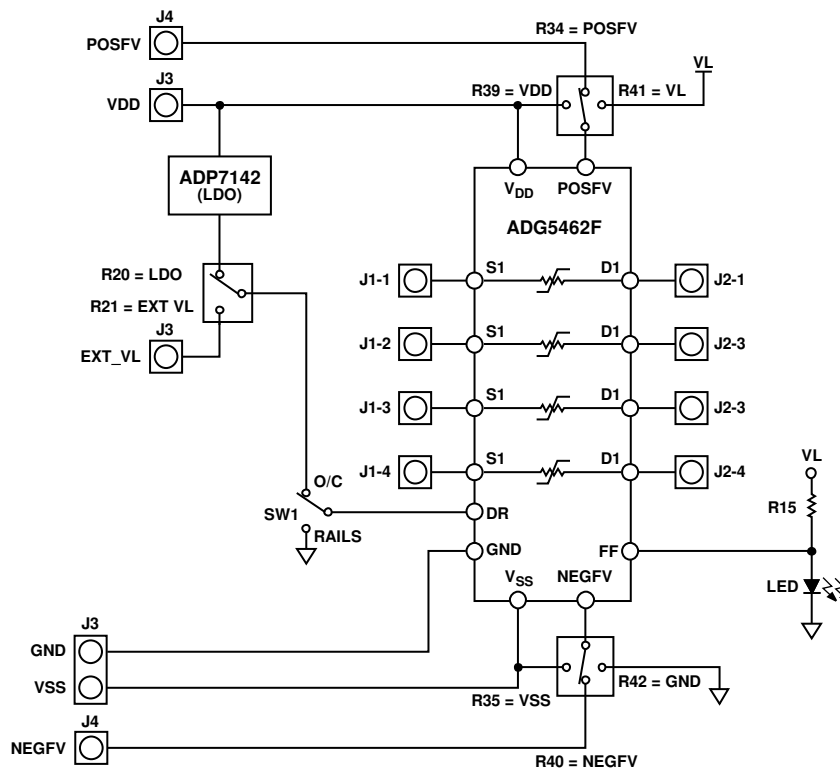


Figure 2. EVAL-ADG5462FEBZ Block Diagram

13822_002

EVALUATION BOARD HARDWARE

To evaluate the [ADG5462F](#) use the [EVAL-ADG5462FEBZ](#).

Figure 1 shows a typical evaluation setup where only a power supply and signal generator are required. Figure 2 shows the block diagram of the main components of the evaluation board.

In this evaluation board, the [ADG5462F](#) passes signals from either the source or drain connectors. The source pins have fault detection circuitry that react to an overvoltage event. During an overvoltage event, the channel on which the fault occurs turns off, and the FF pin pulls low. See the [ADG5462F](#) data sheet for more details.

POWER SUPPLY

Connector J3 provides access to the supply pins of the [ADG5462F](#). VDD, GND, and VSS link to the appropriate pins on the [ADG5462F](#). For dual-supply voltages, the [EVAL-ADG5462FEBZ](#) is powered from ± 5 V to ± 22 V. For single-supply voltages, the GND and VSS terminals are connected together to power the [EVAL-ADG5462FEBZ](#) from 8 V to 44 V. Additionally, an on-board LDO regulator provides the digital control voltage. If necessary, connect a secondary voltage source to EXT_VL and use it to control the digital voltages. To use EXT_VL, move the $0\ \Omega$ resistor from R20 to R21. Do not expose the on-board LDO regulator to voltages greater than 28 V; remove R18 and supply an alternative digital voltage via EXT_VL, if required.

INPUT SIGNALS

Two screw connectors connect to both the source and drain pins of the [ADG5462F](#). Additional subminiature Version B (SMB) connector pads are available if extra connections are required. The [ADG5462F](#) is overvoltage protected on the source side, and each source terminal (S1 to S4) can be presented with a voltage of up to +55 V or to -55 V. See the [ADG5462F](#) data sheet for more details.

Each trace on the source and drain side includes two sets of 0603 pads, which place a load on the signal path to ground. A $0\ \Omega$ resistor is placed in the signal path and can be replaced with a user defined value. The resistor combined with the 0603 pads creates a simple resistor capacitor (RC) filter.

OUTPUT SIGNALS

The FF pin indicates when the device is operating normally or whether there is an overvoltage fault on one of the source pins.

For visual indication, LEDs are mounted on the [EVAL-ADG5462FEBZ](#). When the device operates normally, the FF pin remains high, and LED1 illuminates green. If an overvoltage occurs at any of the source pins, the FF pin pulls low, and LED2 illuminates red.

JUMPER SETTINGS

SWITCHES AND 0 Ω RESISTORS

The switches manually control the [ADG5462F](#), and 0 Ω resistors configure the digital control voltage, the voltage present on POSFV and NEGFV, to isolate the LED from the rest of the system.

Use SW1 to configure the DR pin. The RAILS position is tied to GND and enables the drain to pull to POSFV or NEGFV during an overvoltage fault condition. The O/C position is tied to VL, and the drain is open-circuit condition.

R18 connects the on-board LDO regulator to the VDD supply. Remove this resistor to protect the LDO regulator from voltages higher than 28 V. Move the 0 Ω resistor R20 to R21 to use an alternative digital voltage connected to EXT_VL.

Resistors R14 and R36 connect the LEDs to the digital power supply, and Resistors R37 and R13 connect the FF pin of the [ADG5462F](#) to the LED controls.

Resistors R34, R39, and R41 configure POSFV to either the voltage present on POSFV on J4 (VDD) or VL. Resistors R35, R40, and R42 configure NEGFV to either VSS, the voltage present on NEGFV on J4, or GND.

SMB CONNECTORS

The DR SMB connector can allow control via the external control signals.

The FF SMB connector can access the FF digital output from the [ADG5462F](#).

Table 1. Switch and 0 Ω Resistor Descriptions

Label	Position	Description
SW1	O/C	Logic 1 on DR pin
	RAILS	Logic 0 on DR pin
R35, R40, R42	R35	NEGFV set to VSS
	R40	NEGFV set to voltage on J4 NEGFV screw terminal
	R42	NEGFV set to GND
R34, R39, R41	R34	POSFV set to voltage on J4 POSFV screw terminal
	R39	POSFV set to VDD
	R41	POSFV set to VL
R20, R21	R20	On-board LDO regulator digital voltage
	R21	EXT_VL digital voltage
R18	Inserted	LDO regulator powered up
	Removed	LDO regulator unpowered
R37, R13	Inserted	FF pin connected to LED
	Removed	FF pin disconnected from LED
R14, R36	Inserted	LED connected to digital supply
	Removed	LED isolated
R15	Inserted	1 kΩ pull-up resistor at FF pin
	Removed	No external pull-up resistor at FF pin

EVALUATION BOARD SCHEMATICS AND ARTWORK

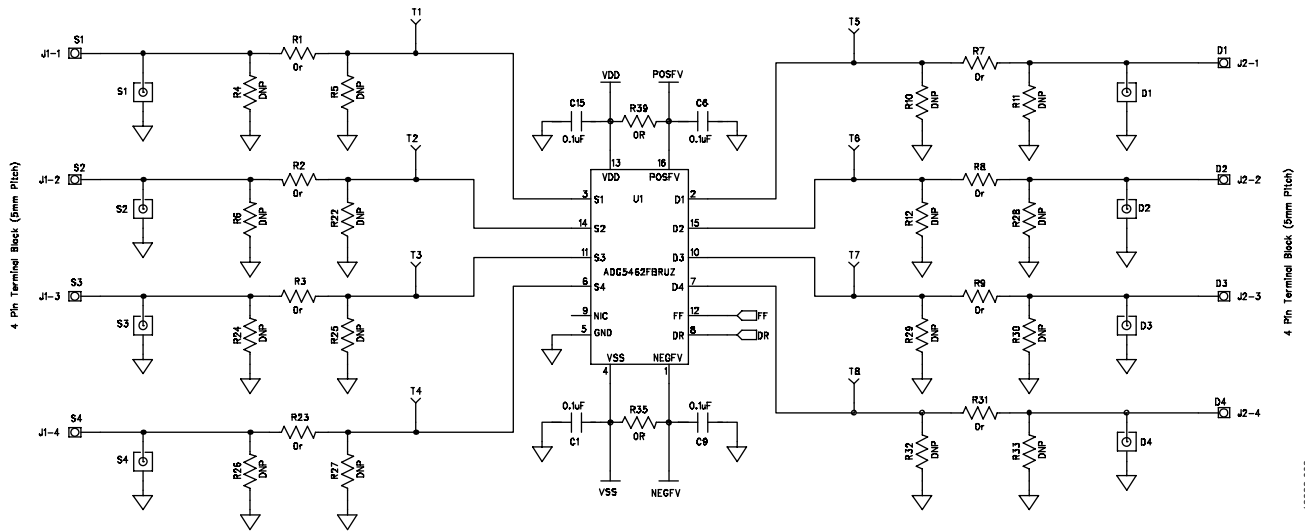


Figure 3. EVAl-ADG5462FEBZ Evaluation Board Schematic (Part 1)

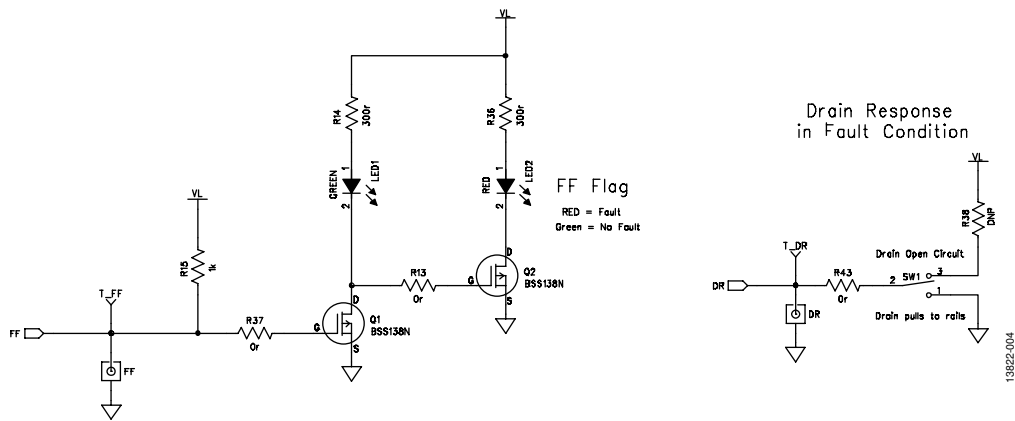


Figure 4. EVAl-ADG5462FEBZ Evaluation Board Schematic (Part 2)

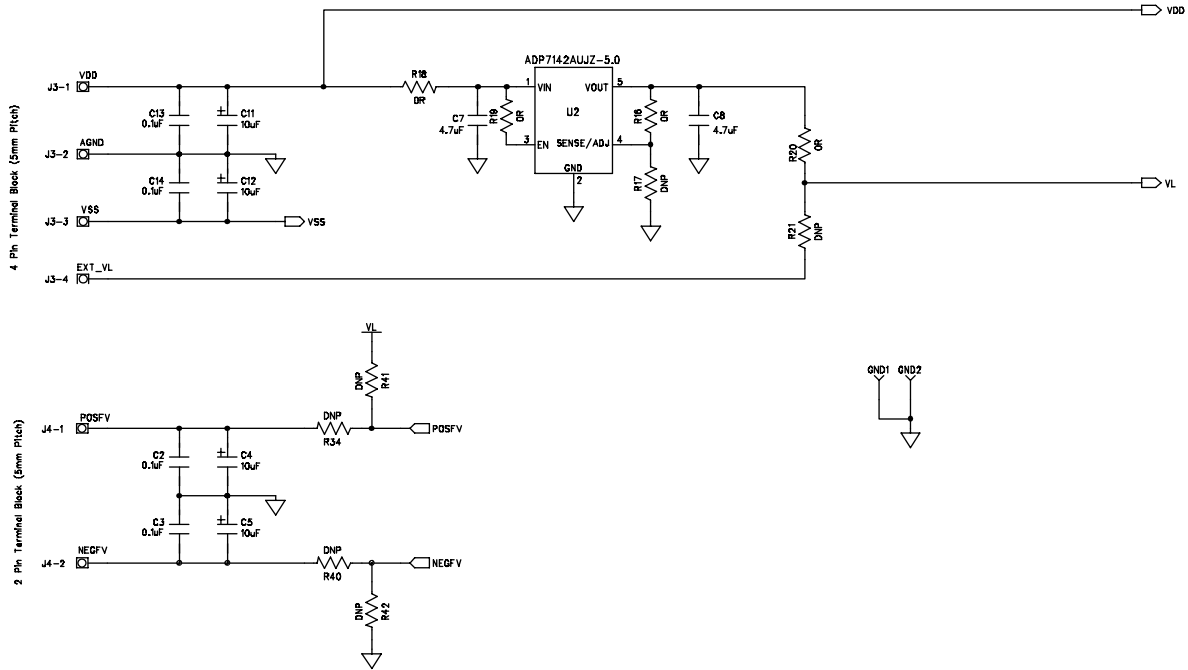


Figure 5. EVAL-ADG5462FEBZ Evaluation Board Schematic (Part 3)

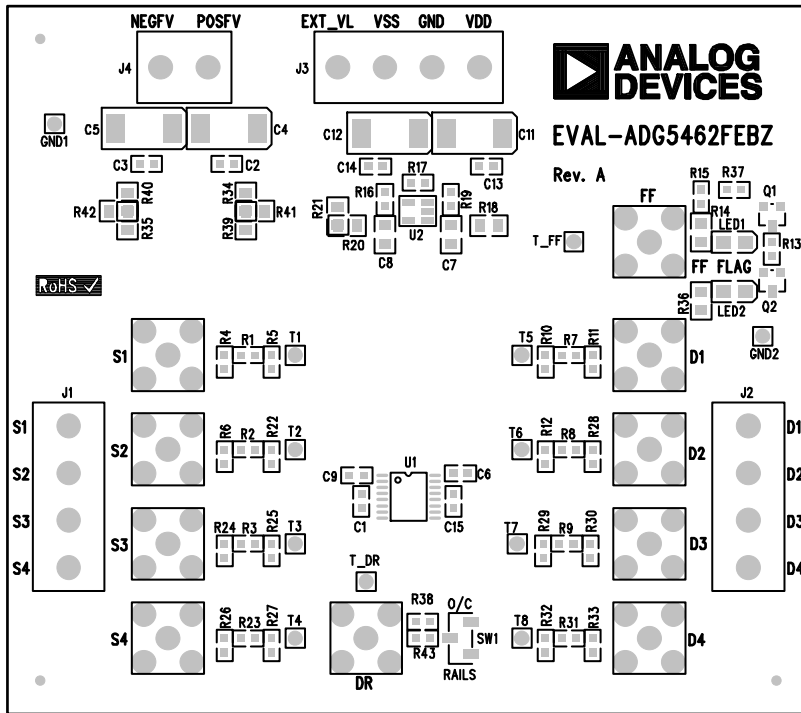


Figure 6. EVAL-ADG5462FEBZ Silk Screen

13822-005

13822-005

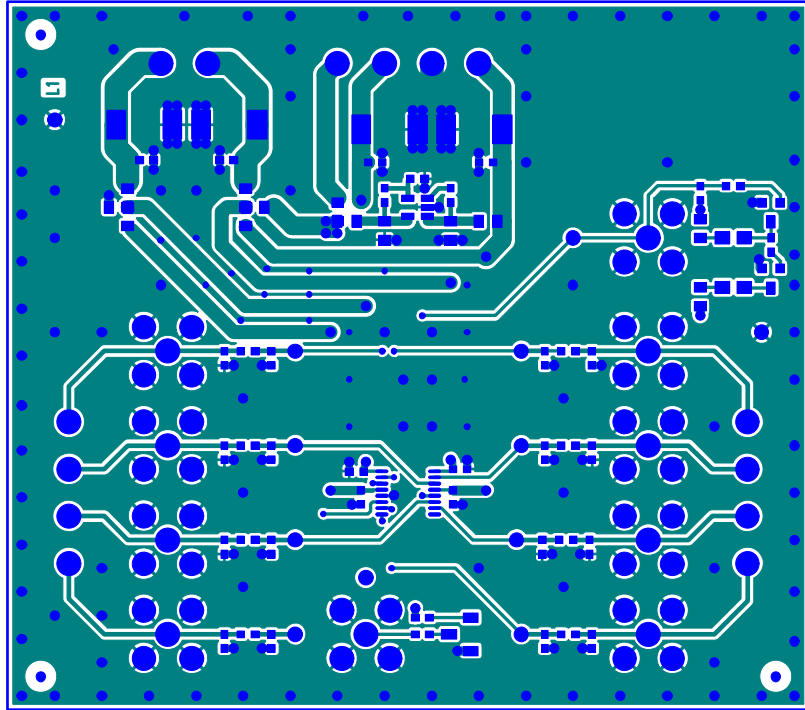


Figure 7. EVAL-ADG5462FEBZ Top Layer

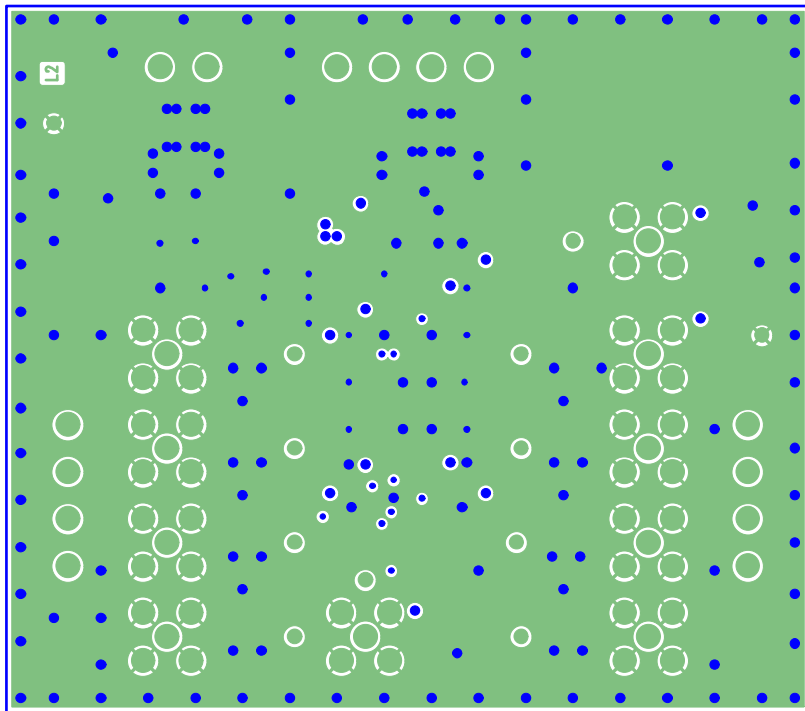
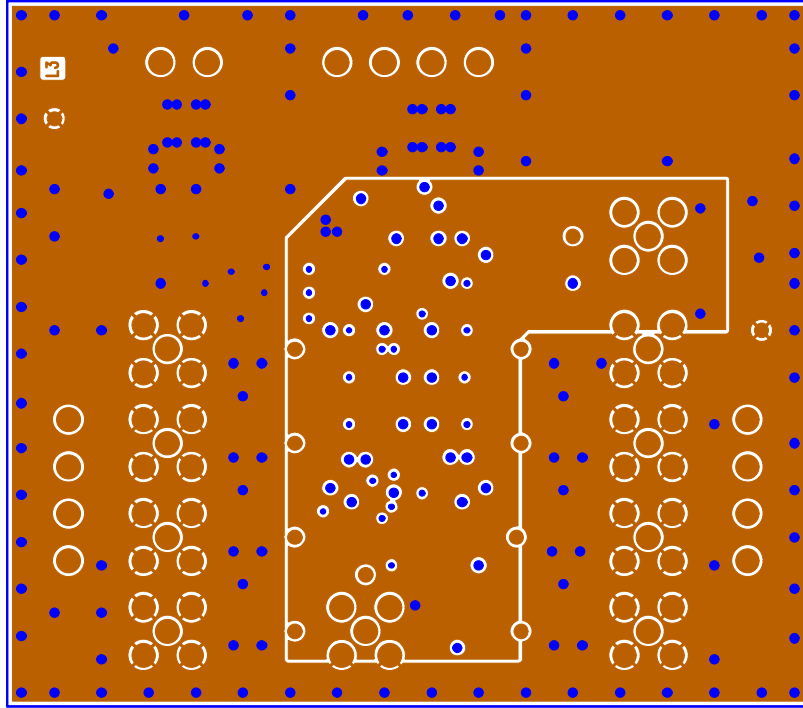
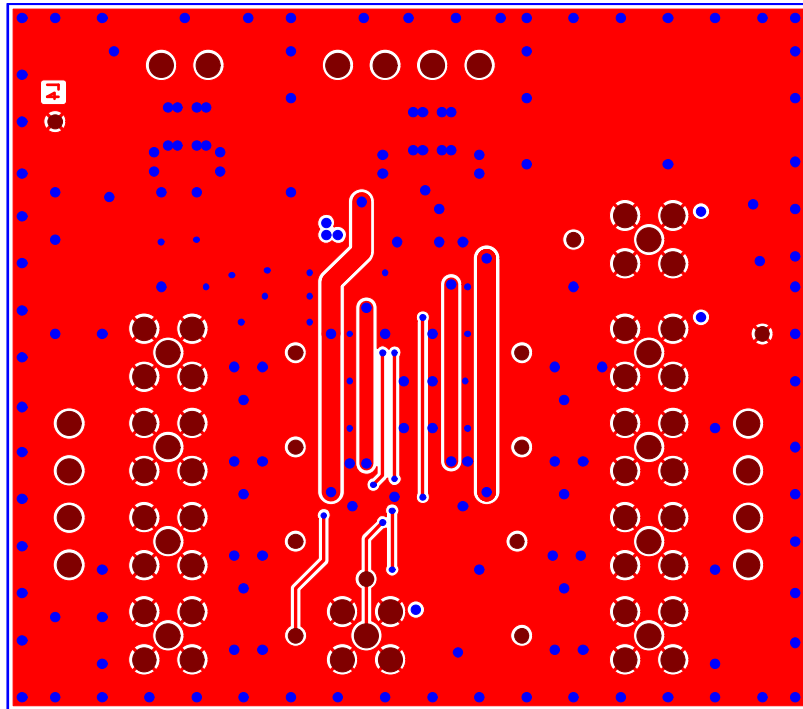


Figure 8. EVAL-ADG5462FEBZ Layer 2



13822-009

Figure 9. EVAL-ADG5462FEBZ Layer 3



13822-010

Figure 10. EVAL-ADG5462FEBZ Bottom Layer

ORDERING INFORMATION

BILL OF MATERIALS

Table 2.

Reference Designator	Description	Manufacturer Part No.	Stock Code
C1 to C3, C6, C9, C13 to C15	50 V, X7R, 0.1 μ F multilayer ceramic capacitors, 0603	GRM188R71H104KA93D	FEC 882-0023
C4, C5, C11, C12	50 V, 10 μ F tantalum capacitors, D size	TAJD106K050RNJ	FEC 143-2387
C7, C8	4.7 μ F ceramic multilayer capacitors	C2012X5R1H475K125AB	FEC 2346932
D1 to D4, S1 to S4	50 Ω SMB sockets	Not applicable	Do not insert
DR, FF	50 Ω straight SMB jacks	SMB1251B1-3GT30G-50	FEC 1111349
GND1, GND2	Black test points	20-2137	FEC 873-1128
J1 to J3	4-pin terminal blocks (5 mm pitch)	CTB5000/4	FEC 151791
J4	2-pin terminal block (5 mm pitch)	CTB5000/2	FEC 151789
LED1	LED, SMD green, 0805	KP-2012SGC	FEC 1318243
LED2	LED, SMD red, 0805	KP-2012SRC-PRV	FEC 1318244
Q1, Q2	Transistors, N-MOSFET, 60 V, 0.23 A, SOT-23	BSS138N	FEC 115-6434
R1 to R3, R7 to R9, R13, R16, R19, R23, R31, R37, R43	Resistors, 0603, 1%, 0 Ω	MC0063W06030R	FEC 9331662
R4 to R6, R10 to R12, R17, R22, R24 to R30, R32, R33, R38	SMD resistors, 0603	Not applicable	Do not insert
R14, R36	Resistors, 300 Ω , 0.1 W, 1%, 0805	MC01W08051300R	FEC 9332987
R15	Resistor, 1 k Ω , 0.063 W, 1%, 0603	MC0063W060311K	FEC 9330380
R18, R20, R35, R39	Resistors, 0805, 1%, 0 Ω	MC01W08050R	FEC 9333681
R21, R34, R40 to R42	SMD resistors, 0805	Not applicable	Do not insert
SW1	SPDT, SMT slide switch	Digi-Key CAS-120TA	CAS120JCT-ND
T1 to T8, T_DR, T_FF	Red test points	20-313137	FEC 873-1144
U1	User defined fault protection and detection, 10 Ω R _{ON} , quad channel protector	ADG5462F	ADG5462FBRUZ
U2	40 V, 200 mA, low noise, CMOS LDO linear regulator	ADP7142AUJZ-5.0	ADP7142AUJZ-5.0-R7

NOTES

**ESD Caution**

ESD (electrostatic discharge) sensitive device. Charged devices and circuit boards can discharge without detection. Although this product features patented or proprietary protection circuitry, damage may occur on devices subjected to high energy ESD. Therefore, proper ESD precautions should be taken to avoid performance degradation or loss of functionality.

Legal Terms and Conditions

By using the evaluation board discussed herein (together with any tools, components documentation or support materials, the "Evaluation Board"), you are agreeing to be bound by the terms and conditions set forth below ("Agreement") unless you have purchased the Evaluation Board, in which case the Analog Devices Standard Terms and Conditions of Sale shall govern. Do not use the Evaluation Board until you have read and agreed to the Agreement. Your use of the Evaluation Board shall signify your acceptance of the Agreement. This Agreement is made by and between you ("Customer") and Analog Devices, Inc. ("ADI"), with its principal place of business at One Technology Way, Norwood, MA 02062, USA. Subject to the terms and conditions of the Agreement, ADI hereby grants to Customer a free, limited, personal, temporary, non-exclusive, non-sublicensable, non-transferable license to use the Evaluation Board FOR EVALUATION PURPOSES ONLY. Customer understands and agrees that the Evaluation Board is provided for the sole and exclusive purpose referenced above, and agrees not to use the Evaluation Board for any other purpose. Furthermore, the license granted is expressly made subject to the following additional limitations: Customer shall not (i) rent, lease, display, sell, transfer, assign, sublicense, or distribute the Evaluation Board; and (ii) permit any Third Party to access the Evaluation Board. As used herein, the term "Third Party" includes any entity other than ADI, Customer, their employees, affiliates and in-house consultants. The Evaluation Board is NOT sold to Customer; all rights not expressly granted herein, including ownership of the Evaluation Board, are reserved by ADI. CONFIDENTIALITY. This Agreement and the Evaluation Board shall all be considered the confidential and proprietary information of ADI. Customer may not disclose or transfer any portion of the Evaluation Board to any other party for any reason. Upon discontinuation of use of the Evaluation Board or termination of this Agreement, Customer agrees to promptly return the Evaluation Board to ADI. ADDITIONAL RESTRICTIONS. Customer may not disassemble, decompile or reverse engineer chips on the Evaluation Board. Customer shall inform ADI of any occurred damages or any modifications or alterations it makes to the Evaluation Board, including but not limited to soldering or any other activity that affects the material content of the Evaluation Board. Modifications to the Evaluation Board must comply with applicable law, including but not limited to the RoHS Directive. TERMINATION. ADI may terminate this Agreement at any time upon giving written notice to Customer. Customer agrees to return to ADI the Evaluation Board at that time. LIMITATION OF LIABILITY. THE EVALUATION BOARD PROVIDED HEREUNDER IS PROVIDED "AS IS" AND ADI MAKES NO WARRANTIES OR REPRESENTATIONS OF ANY KIND WITH RESPECT TO IT. ADI SPECIFICALLY DISCLAIMS ANY REPRESENTATIONS, ENDORSEMENTS, GUARANTEES, OR WARRANTIES, EXPRESS OR IMPLIED, RELATED TO THE EVALUATION BOARD INCLUDING, BUT NOT LIMITED TO, THE IMPLIED WARRANTY OF MERCHANTABILITY, TITLE, FITNESS FOR A PARTICULAR PURPOSE OR NON-INFRINGEMENT OF INTELLECTUAL PROPERTY RIGHTS. IN NO EVENT WILL ADI AND ITS LICENSORS BE LIABLE FOR ANY INCIDENTAL, SPECIAL, INDIRECT, OR CONSEQUENTIAL DAMAGES RESULTING FROM CUSTOMER'S POSSESSION OR USE OF THE EVALUATION BOARD, INCLUDING BUT NOT LIMITED TO LOST PROFITS, DELAY COSTS, LABOR COSTS OR LOSS OF GOODWILL. ADI'S TOTAL LIABILITY FROM ANY AND ALL CAUSES SHALL BE LIMITED TO THE AMOUNT OF ONE HUNDRED US DOLLARS (\$100.00). EXPORT. Customer agrees that it will not directly or indirectly export the Evaluation Board to another country, and that it will comply with all applicable United States federal laws and regulations relating to exports. GOVERNING LAW. This Agreement shall be governed by and construed in accordance with the substantive laws of the Commonwealth of Massachusetts (excluding conflict of law rules). Any legal action regarding this Agreement will be heard in the state or federal courts having jurisdiction in Suffolk County, Massachusetts, and Customer hereby submits to the personal jurisdiction and venue of such courts. The United Nations Convention on Contracts for the International Sale of Goods shall not apply to this Agreement and is expressly disclaimed.