



Chipsmall Limited consists of a professional team with an average of over 10 year of expertise in the distribution of electronic components. Based in Hongkong, we have already established firm and mutual-benefit business relationships with customers from,Europe,America and south Asia,supplying obsolete and hard-to-find components to meet their specific needs.

With the principle of “Quality Parts,Customers Priority,Honest Operation,and Considerate Service”,our business mainly focus on the distribution of electronic components. Line cards we deal with include Microchip,ALPS,ROHM,Xilinx,Pulse,ON,Everlight and Freescale. Main products comprise IC,Modules,Potentiometer,IC Socket,Relay,Connector.Our parts cover such applications as commercial,industrial, and automotives areas.

We are looking forward to setting up business relationship with you and hope to provide you with the best service and solution. Let us make a better world for our industry!



## Contact us

Tel: +86-755-8981 8866 Fax: +86-755-8427 6832

Email & Skype: info@chipsmall.com Web: www.chipsmall.com

Address: A1208, Overseas Decoration Building, #122 Zhenhua RD., Futian, Shenzhen, China



# Infineon XENSIV™ MEMS microphone flex evaluation board

## About this document

### Scope and purpose

This document provides information on evaluation flex boards for Infineon Technologies analog and digital MEMS microphones

### Intended audience

This document is intended for Infineon Technologies MEMS microphone customer

## Table of contents

	<b>About this document</b> .....	1
<b>1</b>	<b>Digital evaluation flex</b> .....	2
<b>2</b>	<b>Analog evaluation flex</b> .....	2
<b>3</b>	<b>Flex adapter board</b> .....	3
<b>4</b>	<b>Ordering information</b> .....	3
	<b>Disclaimer</b> .....	4



1 Digital evaluation flex

1 Digital evaluation flex

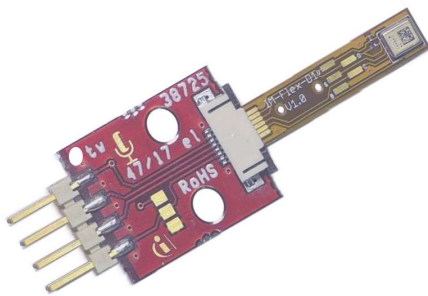
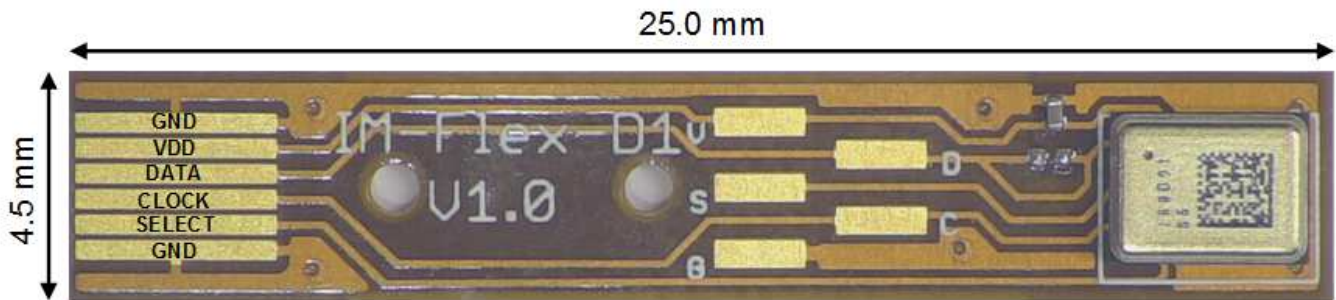


Table 1 Digital flex pin description

Symbol	Description
V	V <sub>DD</sub>
D	Data
C	Clock
S	Select
G	Ground

2 Analog evaluation flex

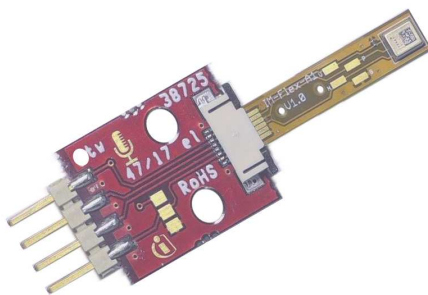
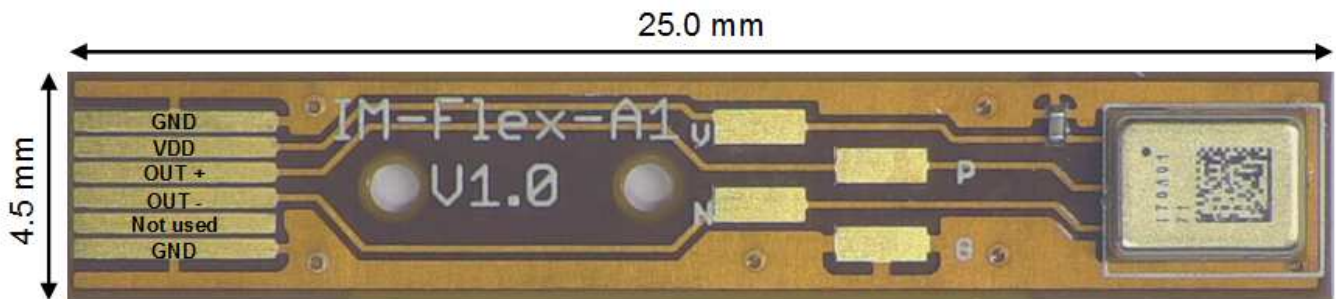


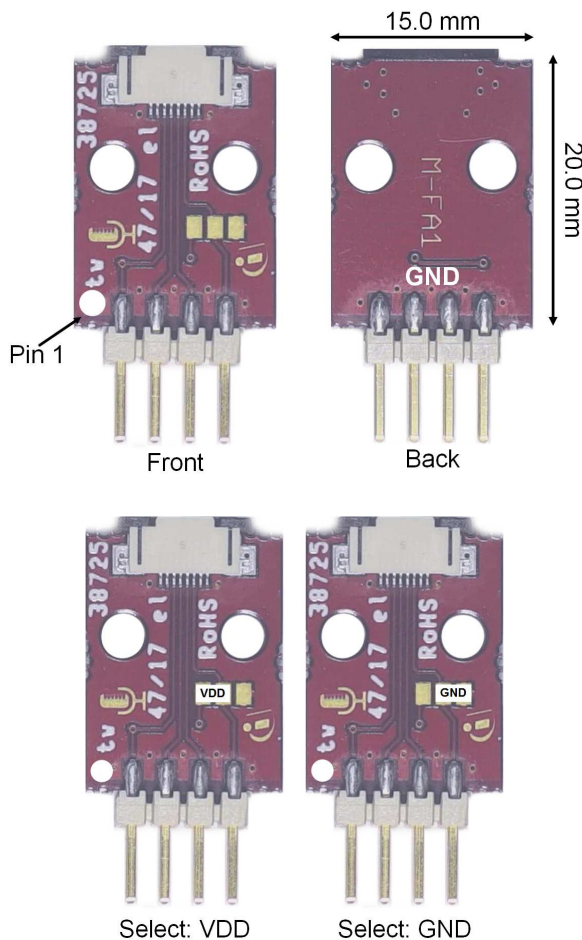
Table 2 Analog flex pin description

Symbol	Description
V	V <sub>DD</sub>
P	OUT +
N	OUT -
G	Ground

3 Flex adapter board

### 3 Flex adapter board

The flex adapter board allows simple and easy connection of Infineon MEMS microphone analog and digital flex. The flex adapter is for both analog and digital flexes.



**Table 3 Flex adapter pin configuration**

Pin number	Analog flex	Digital flex
1	V <sub>DD</sub>	V <sub>DD</sub>
2	OUT +	Data
3	OUT -	Clock
4	<i>Not used</i>	Select
GND	Ground	Ground

For Digital microphone, select pin can be either connected to V<sub>DD</sub> or Ground.

### 4 Ordering information

Orderable part number	Description
<b>Digital flex kit</b>	
EVALIM69D130FLEXKITTOB01	5 IM69D130 flex mounted on flex board with 1 flex evaluation adapter board
EVALIM69D120FLEXKITTOB01	5 IM69D120 flex mounted on flex board with 1 flex evaluation adapter board
<b>Digital flex</b>	
EVALIM69D130V01FLEXTOB01	IM69D130 mounted on flex board
EVALIM69D120V01FLEXTOB01	IM69D120 mounted on flex board
<b>Analog flex</b>	
EVALIM70A135V01FLEXTOB01	IM70A135 mounted on flex board
<b>Flex adapter board</b>	
EVALIMFLEXADAPTERV1TOB01	Flex evaluation adapter board

## Trademarks

All referenced product or service names and trademarks are the property of their respective owners.

**Edition 2018-01-19**

**Published by**

**Infineon Technologies AG**

**81726 Munich, Germany**

**© 2018 Infineon Technologies AG**

**All Rights Reserved.**

**Do you have a question about any aspect of this document?**

**Email: [erratum@infineon.com](mailto:erratum@infineon.com)**

**Document reference**

**IFX-mdd1512666322173**

## IMPORTANT NOTICE

The information given in this document shall in no event be regarded as a guarantee of conditions or characteristics ("Beschaffheitsgarantie").

With respect to any examples, hints or any typical values stated herein and/or any information regarding the application of the product, Infineon Technologies hereby disclaims any and all warranties and liabilities of any kind, including without limitation warranties of non-infringement of intellectual property rights of any third party.

In addition, any information given in this document is subject to customer's compliance with its obligations stated in this document and any applicable legal requirements, norms and standards concerning customer's products and any use of the product of Infineon Technologies in customer's applications.

The data contained in this document is exclusively intended for technically trained staff. It is the responsibility of customer's technical departments to evaluate the suitability of the product for the intended application and the completeness of the product information given in this document with respect to such application.

## WARNINGS

Due to technical requirements products may contain dangerous substances. For information on the types in question please contact your nearest Infineon Technologies office.

Except as otherwise explicitly approved by Infineon Technologies in a written document signed by authorized representatives of Infineon Technologies, Infineon Technologies' products may not be used in any applications where a failure of the product or any consequences of the use thereof can reasonably be expected to result in personal injury