



Chipsmall Limited consists of a professional team with an average of over 10 year of expertise in the distribution of electronic components. Based in Hongkong, we have already established firm and mutual-benefit business relationships with customers from,Europe,America and south Asia,supplying obsolete and hard-to-find components to meet their specific needs.

With the principle of “Quality Parts,Customers Priority,Honest Operation,and Considerate Service”,our business mainly focus on the distribution of electronic components. Line cards we deal with include Microchip,ALPS,ROHM,Xilinx,Pulse,ON,Everlight and Freescale. Main products comprise IC,Modules,Potentiometer,IC Socket,Relay,Connector.Our parts cover such applications as commercial,industrial, and automotives areas.

We are looking forward to setting up business relationship with you and hope to provide you with the best service and solution. Let us make a better world for our industry!



Contact us

Tel: +86-755-8981 8866 Fax: +86-755-8427 6832

Email & Skype: info@chipsmall.com Web: www.chipsmall.com

Address: A1208, Overseas Decoration Building, #122 Zhenhua RD., Futian, Shenzhen, China



Application Note

AN-EVAL-ICE2A365-1

**CoolSET™
40W Evaluation Board with ICE2A365**

Author: Harald Zöllinger

Published by Infineon Technologies AG

<http://www.infineon.com>

Power Management & Supply



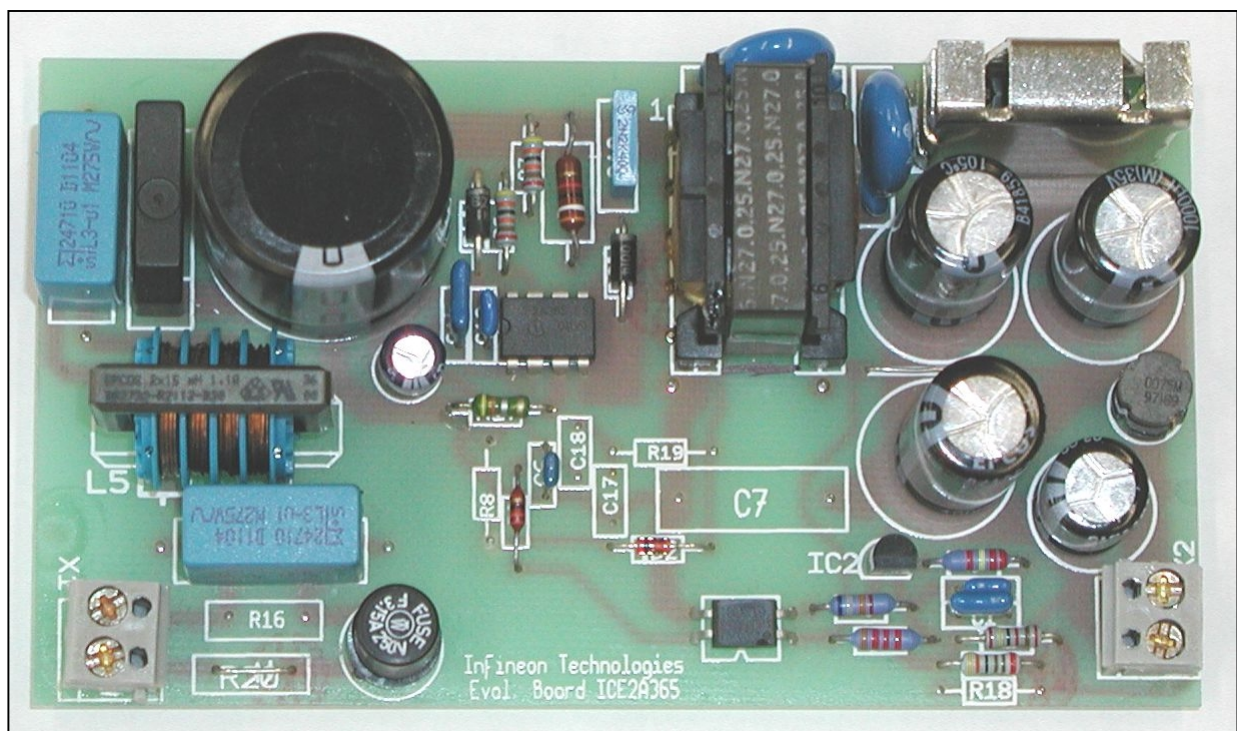
Never stop thinking

Contents:

40W Evaluation Board with ICE2A365.....	3
Technical specifications:	4
Circuit description:	4
Schematic:.....	6
Component Legend:	7
Board Layout:	7
Component List:.....	8
Transformer Construction	9
Measurements:.....	10
References:	10

40W Evaluation Board with ICE2A365

The board described here was designed as a typical power supply in flyback converter topology with one output voltage and secondary control. This type of switch mode power supply is particularly suitable as an AC/DC power supply for battery chargers, video games, satellite decoders, etc. The switch mode power supply **ICE2A365** chip used for this application is a current-controlled pulse width modulator with integrated CoolMOS power switch. Special efforts have been made to compensate temperature dependency and to achieve a very high accuracy of the switching frequency. Furthermore, overload and open loop protection is implemented by controlling the feedback line. In case of overload or open loop, the IC is working in **hiccup** mode.



Evaluation board

Other output voltages can also be implemented very easily by a simple modification of the transformer and the output circuitry.

Technical specifications:

Input Voltage Range	85 ... 270V AC
Input Frequency	50, 60 Hz
Output Voltage	16V +5%
Peak Output Power	54W
Line Regulation (85 ...270V)	< 1%
Load Regulation (10% ... 100%)	< 1%
Efficiency	> 80 %
Output Ripple Voltage	< 200mV
Switching Frequency	21...100 kHz
Stby Power with Burst Mode @ no-load	<400mW
EMI	EN55022B
Temperature Range	0 ... 50°C

Circuit description:
Introduction

The **ICE2A365** chip used here was particularly designed for the use in flyback converters. As shown on the circuit diagram (p. 3), only a few additional components are required to create an AC/DC power supply.

Line Input

The AC line input side comprises the input fuse F1 as overcurrent protection the choke L5 and X2-capacitors C8 and C22 as radio interference suppressors. After the bridge rectifier BR1 and the input capacitor C3, a voltage of 90 to 380 VDC depending on input voltage is available.

ICE2A365 Power Supply
Startup

From the DC input voltage, the chip's starting current supply is derived using the resistors R6 and R7. Because of the low current drain of <85 uA, high-value resistors can be used. Series connection of the resistors is necessary for reasons of insufficient dielectric strength of the individual resistors.

Mode of Operation

During operation, the VCC pin is supplied via a separate transformer winding with associated rectification D2 and buffering C4, C13. The Resistor R8 is used for current limiting during the charging of C4. In order to not exceed the maximum voltage at the VCC pin, an external zenerdiode D4 is applied for voltage limitation.

Softstart

The Soft-Start function is realised by an internal resistor and the external capacitor C14.

Primary Current – CoolMOS
Clamping Network

R10, C12 and D3 dissipate the energy of the leakage inductance.

Limitation of primary current

The CoolMOS source current is sensed by an external shunt resistor R17. When the voltage at R17 exceeds the internal current-limit threshold, the gate driver is shut off immediately.

Output Stage

Output Voltage

On the secondary side the power is coupled out via a fast-acting diode D1 with low forward voltage. The capacitors C5, C9, C20 provide energy buffering, a filter L3, C23 reduces the output voltage ripple considerably.

Storage capacitors C5, C9, and C20 are designed to have an internal resistance as small as possible (ESR). This minimizes the output voltage ripple caused by the triangular current characteristic. The output voltage level is set by resistors R1, R2.

Regulation

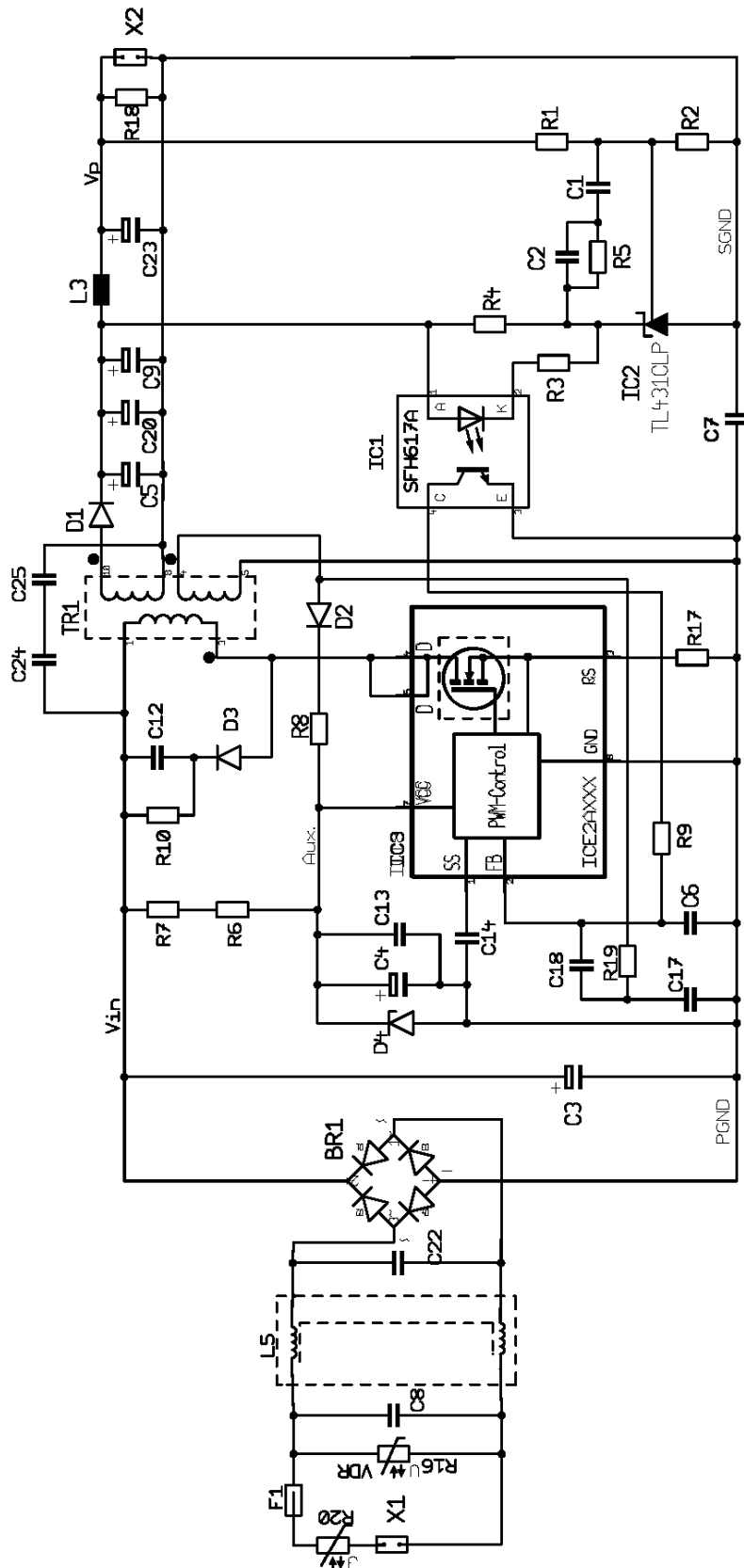
The output voltage is controlled using a type TL431 reference diode.

This device incorporates the voltage reference, the error amplifier, and a driver stage. The compensation network C1, C2, R1, R5 constitutes the external circuitry of the error amplifier of IC2. This circuitry allows the feedback to be precisely matched to dynamically varying load conditions, thereby providing stable control. The maximum current through the optocoupler diode and the voltage reference is set by the resistors R3 and R4.

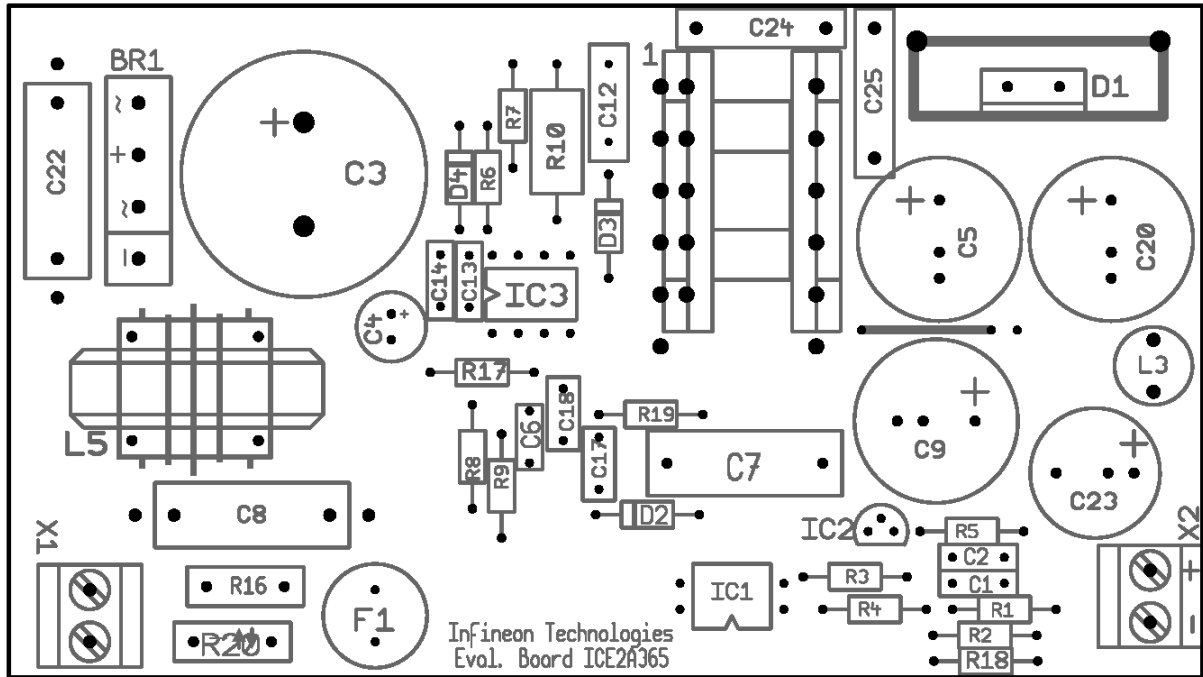
Optocoupler IC1 is used for floating transmission of the control signal to the “Feedback” input of the **ICE2A365** control device. The optocoupler meets DIN VDE 884 requirements.

Design calculations for the components and the transformer were performed in accordance with the **Application Note “AN–SMPS–ICE2AXXX for OFF – Line Switch Mode Power Supplies”**.

Schematic:

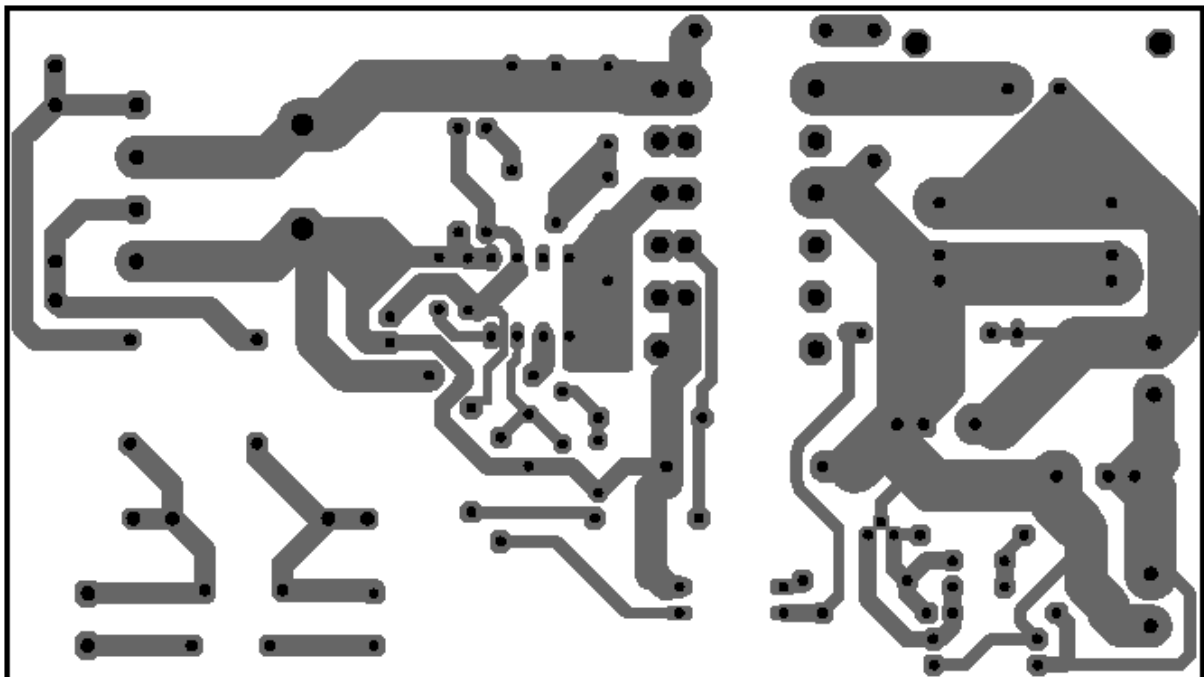


Component Legend:



Board Layout:

Component side shown



Component List:
Part List
ICE2A365 Evaluation Board 16V/ 40W
19.09.2001

Pos.	Part	Type	Grid	Ordering Code	Manuf.
1	BR1	B500 C1500			
2	C1	330nF, 50V	5mm		Epcos
3	C2	1nF, 50V	5mm		Epcos
4	C3	150uF, 400V	10mm	B43501-A9157-M	Epcos
5	C4	68uF, 35V	2,5mm	B41821-A7476-M	Epcos
6	C5	1000uF, 35V	5mm	KZE35VB1000MK25	(NCC) Alfatec
7	C6	2,2nF, 50V	5mm	B37979-G5222-J	Epcos
8	C7	*			
9	C8	0,1uF, 275V, X2	15mm	B81130-C1104-M	Epcos
10	C9	*			
11	C12	2,2nF, 400V	7,5mm	B32520-C6222-K	Epcos
12	C13	100nF, 50V	5mm	B37987-F5104-K	Epcos
13	C14	1uF, 50V	5mm	B37984-M5105-K	Epcos
14	C20	1000uf, 35V	5mm	KZE35VB1000MK25	(NCC) Alfatec
15	C22	0,22uF, 275V, X2	15mm	B81130-C1224-M	Epcos
16	C23	470uF, 35V	5mm	KZE35VB470MJ20	(NCC) Alfatec
17	C24	2,2nF, 250V Y1	12,5mm	WKP 2n2 M	Wima
18	C25	2,2nF, 250V Y1	12,5mm	WKP 2n2 M	Wima
19	D1	DSS10-01A	5mm		IXYS
20	D2	1N4148	10mm		
21	D3	1N4937	10mm		
22	D4	ZPD18	10mm		
23	F1	Microfuse 3,15A	5mm		
24	IC1	SFH617A-3X016			
25	IC3	ICE2A365			Infineon
26	IC2	TL431CLP			
27	L3	1uH, 3,7A	5mm	822LY-1R0M	Componex
28	L5	27mH, 0,9A		B82732-R2901-B30	Epcos
29	R1	24k, 1%	10mm		
30	R2	4,3k, 1%	10mm		
31	R3	680R	10mm		
32	R4	1,2k	10mm		
33	R5	150k	10mm		
34	R6	430k	10mm		
35	R7	430k	10mm		
36	R8	4,7R	10mm		
37	R9	22R	10mm		
38	R10	39k, 2W	10mm		
39	R16	*			
40	R17	0,43R, 0,6W, 1%	10mm		
41	R18	*			
42	R20	wire	10mm		
43	TR1	E25 Coil Former			
44	TR1	E25/13/7, 0,75 N27		see also Transformer Construction	
45	D1	Heatsink, 18K/W		FK224	Fischer
46	X1	Connector 2pol.			
47	X2	Connector 2pol.			

* = not assembled

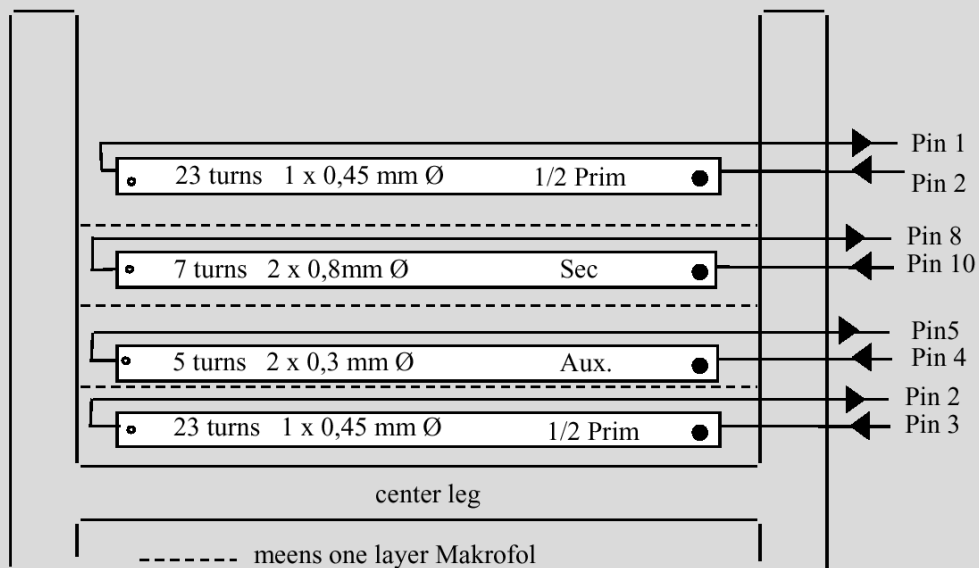
Transformer Construction

50W/100 kHz Flyback Transformer

Evaluation Board 16V, 50W with ICE 2A365

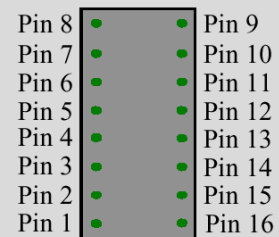
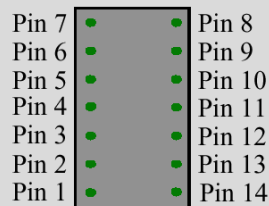
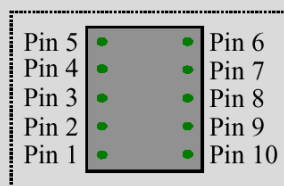
Coil former: vertical version

Core E25/13/7; N27; $A_{MIN} = 51,5 \text{ mm}^2$; total gap = 0,75 mm; $A_L = 111 \text{ nH}$; $L_p = 235 \text{ uH}$



Primary winding	23 + 23 turns	1 x 0,45 mm Ø	
Auxiliary winding	5 turns	2 x 0,30 mm Ø	spread
Secondary winding	7 turns	2 x 0,80 mm Ø	triple Insulation

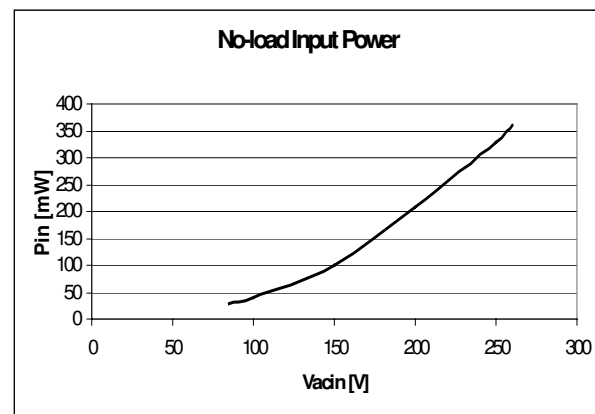
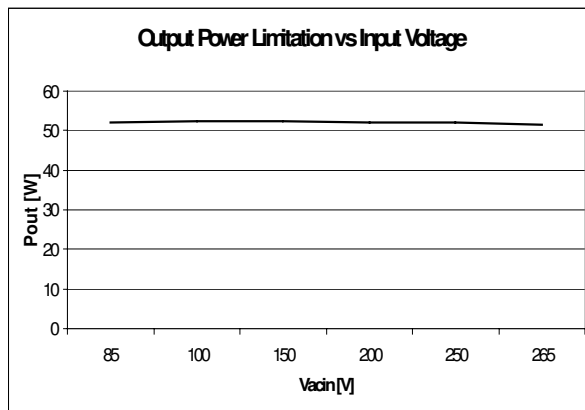
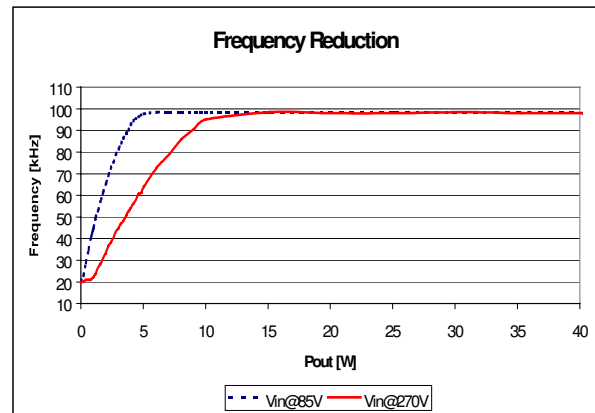
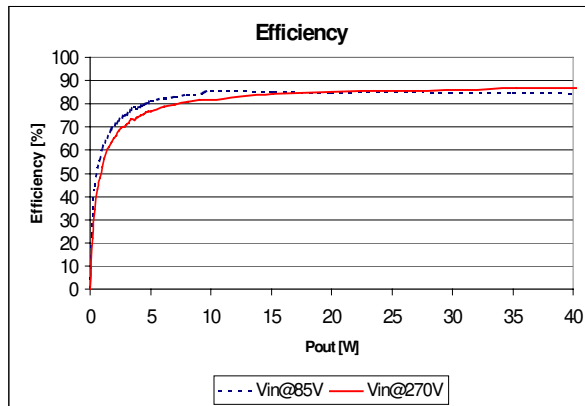
Bottom View:



Note:

The built-in transformer does **not** comply with EN60950 safety requirements in respect of electrical isolation.

Measurements:



References:

- [1] ICE2AXXX for OFF-Line Switch Mode Power Supplies Application Note, Infineon Technologies
- [2] CoolSET-II Off-line SMPS Current Mode Controller with High Voltage CoolMOS on Board Datasheet, Infineon Technologies

Revision History		
Application Note AN-EVAL-ICE2A365-1		
Actual Release: V1.2 Date:16.08.2001		Previous Release: V1.1
Page of actual Rel.	Page of prev. Rel.	Subjects changed since last release
12	14	First Issue
12	12	Part List

For questions on technology, delivery and prices please contact the Infineon Technologies Offices in Germany or the Infineon Technologies Companies and Representatives worldwide:

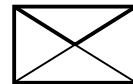
see the address list on the last page or our webpage at

<http://www.infineon.com>

CoolMOS™ and **CoolSET™** are trademarks of Infineon Technologies AG.

We listen to Your Comments

Any information within this dokument that you feel is wrong, unclear or missing at all?
 Your feedback will help us to continously improve the quality of this dokument.
 Please send your proposal (including a reference to this dokument) to:
mcdoku.comment@infineon.com



Edition 2000--05--09

Published by Infineon Technologies AG,
 St.-Martin-Strasse 53,
 D-81541 München

© Infineon Technologies AG 2000.
 All Rights Reserved.

Attention please!

The information herein is given to describe certain components and shall not be considered as warranted characteristics.

Terms of delivery and rights to technical change reserved.

We hereby disclaim any and all warranties, including but not limited to warranties of non-infringement, regarding circuits, descriptions and charts stated herein.

Infineon Technologies is an approved CECC manufacturer.

Information

For further information on technology, delivery terms and conditions and prices please contact your nearest Infineon Technologies Office in Germany or our Infineon Technologies Representatives worldwide (see address list).

Warnings

Due to technical requirements components may contain dangerous substances. For information on the types in question please contact your nearest Infineon Technologies Office.

Infineon Technologies Components may only be used in life-support devices or systems with the express written approval of Infineon Technologies, if a failure of such components can reasonably be expected to cause the failure of that life-support device or system, or to affect the safety or effectiveness of that device or system. Life support devices or systems are intended to be implanted in the human body, or to support and/or maintain and sustain and/or protect human life. If they fail, it is reasonable to assume that the health of the user or other persons may be endangered.

Infineon Technologies AG sales offices worldwide – partly represented by Siemens AG

<p>A Siemens AG Österreich Erdberger Lände 26 A-1031 Wien T (+43)1-17 07-3 56 11 Fax (+43)1-17 07-5 59 73</p> <p>AUS Siemens Ltd. 885 Mountain Highway Bayswater,Victoria 3153 T (+61)3-97 21 21 11 Fax (+61)3-97 21 72 75</p> <p>B Siemens Electronic Components Benelux Charleroisesteenweg 116/ Chaussée de Charleroi 116 B-1060 Brussel/Bruxelles T (+32)2-5 36 69 05 Fax (+32)2-5 36 28 57 Email:components@siemens.nl</p> <p>BR Siemens Ltda. Semicondutores Avenida Mutinga,3800-Pirituba 05110-901 São Paulo-SP T (+55)11-39 08 25 64 Fax (+55)11-39 08 27 28</p> <p>CDN Infineon Technologies Corporation 320 March Road,Suite 604 Canada,Ontario K2K 2E2 T (+1)6 13-5 91 63 86 Fax (+1)6 13-5 91 63 89</p> <p>CH Siemens Schweiz AG Bauelemente Freilagerstrasse 40 CH-8047 Zürich T (+41)1-4 953065 Fax (+41)1-4 955050</p> <p>D Infineon Technologies AG Völklinger Str.2 D-40219 Düsseldorf T (+49)2 11-3 99 29 30 Fax (+49)2 11-3 99 14 81</p> <p>Infineon Technologies AG Werner-von-Siemens-Platz 1 D-30880 Laatzen (Hannover) T (+49)5 11-8 77 22 22 Fax (+49)5 11-8 77 15 20</p> <p>Infineon Technologies AG Von-der-Tann-Straße 30 D-90439 Nürnberg T (+49)9 11-6 54 76 99 Fax (+49)9 11-6 54 76 24</p> <p>Infineon Technologies AG Weissacher Straße 11 D-70499 Stuttgart T (+49)7 11-3 37 33 14 Fax (+49)7 11-1 37 24 48</p> <p>D Infineon Technologies AG Halbleiter Distribution Richard-Strauss-Straße 76 D-81679 München T (+49)89-92 21 40 86 Fax (+49)89-92 21 20 71</p> <p>DK Siemens A/S Borupvang 3 DK-2750 Ballerup T (+45)44 77-44 77 Fax (+45)44 77-40 17</p> <p>E Siemens S.A. Dpto.Componentes Ronda de Europa,5 E-28760 Tres Cantos-Madrid T (+34)91-5 14 71 51 Fax (+34)91-5 14 70 13</p>	<p>F Infineon Technologies France, 39/47,Bd.Ornano F-93527 Saint-Denis CEDEX2 T (+33)1-49 22 31 00 Fax (+33)1-49 22 28 01</p> <p>FIN Siemens Components Scandinavia P.O .Bo x 6 0 FIN-02601 Espoo (Helsinki) T (+3 58)10-5 11 51 51 Fax (+3 58)10-5 11 24 95 Email: scs@components.siemens.se</p> <p>GB Infineon Technologies Siemens House Oldbury GB-Bracknell,Berkshire RG12 8FZ T (+44)13 44-39 66 18 Fax (+44)13 44-39 66 32</p> <p>H Simacomp Kft. Lajos u.103 H-1036 Budapest T (+36)1-4 57 16 90 Fax (+36)1-4 57 16 92</p> <p>HK Infineon Technologies Hong Kong Ltd. Suite 302,Level 3, Festival Walk, 80 Tat Chee Avenue, Yam Yat Tsuen, Kowloon Tong Hong Kong T (+8 52)28 32 05 00 Fax (+8 52)28 27 97 62</p> <p>I Siemens S. A. Semiconductor Sales Via Piero e Alberto Pirelli,10 I-20126 Milano T (+39)02-66 76 -1 Fax (+39)02-66 76 43 95</p> <p>IND Siemens Ltd. Components Division No.84 Keonics Electronic City Hosur Road Bangalore 561 229 T (+91)80-8 52 11 22 Fax (+91)80-8 52 11 80</p> <p>Siemens Ltd. CMP Div,5th Floor 4A Ring Road,IP Estate New Delhi 110 002 T (+91)11-3 31 99 12 Fax (+91)11-3 31 96 04</p> <p>Siemens Ltd. CMP Div,4th Floor 130,Pandurang Budhkar Marg, Worli Mumbai 400 018 T (+91)22-4 96 21 99 Fax (+91)22-4 96 22 01</p> <p>IRL Siemens Ltd. Electronic Components Division 8,Raglan Road IRL-Dublin 4 T (+3 53)1-2 16 23 42 Fax (+3 53)1-2 16 23 49</p> <p>IL Nisko Ltd. 2A,Habarzel St. P.O.Box 58151 61580 Tel Aviv –Isreal T (+9 72)3 -7 65 73 00 Fax (+9 72)3 -7 65 73 33</p>	<p>J Siemens Components K.K. Talanawa Park Tower 12F &17F 3-20-14,Higashi-Gotanda, Shinagawa-ku Tokyo T (+81)3-54 49 64 11 Fax (+81)3 -54 49 64 01</p> <p>MAL Infineon Technologies AG Sdn Bhd Bayan Lepas Free Industrial Zone1 11900 Penang T (+60)4 -6 44 99 75 Fax (+60)4 -6 41 48 72</p> <p>N Siemens Components Scandinavia Østre Aker vei 24 Postboks 10,Veitvet N-0518 Oslo T (+47)22-63 30 00 Fax (+47)22-68 49 13 Email: scs@components.siemens.se</p> <p>NL Siemens Electronic Components Benelux Postbus 16068 NL-2500 BB Den Haag T (+31)70-3 33 20 65 Fax (+31)70-3 33 28 15 Email:components@siemens.nl</p> <p>NZ Siemens Auckland 300 Great South Road Greenland Auckland T (+64)9-5 20 30 33 Fax (+64)9-5 20 15 56</p> <p>P Siemens S.A. an Componentes Electronicos R.Irmaos Siemens,1 Alfragide P-2720-093 Amadora T (+351)1-4 17 85 90 Fax (+351)1-4 17 80 83</p> <p>PK Siemens Pakistan Engineering Co.Ltd. PO Box 1129,Islamabad 44000 23 West Jinnah Ave Islamabad T (+92)51-21 22 00 Fax (+92)51-21 16 10</p> <p>PL Siemens SP.z.o.o. ul.Zupnicza 11 PL-03-821 Warszawa T (+48)22-8 70 91 50 Fax (+48)22-8 70 91 59</p> <p>ROK Siemens Ltd. Asia Tower,10th Floor 726 Yeoksam-dong,Kang-nam Ku CPO Box 3001 Seoul 135-080 T (+82)2-5 27 77 00 Fax (+82)2-5 27 77 79</p> <p>RUS INTECH electronics ul.Smolnaya,24/1203 RUS-125 445 Moskva T (+7)0 95 -4 51 97 37 Fax (+7)0 95 -4 51 86 08</p> <p>S Siemens Components Scandinavia Österögatan 1,Box 46 S-164 93 Kista T (+46)8-7 03 35 00 Fax (+46)8-7 03 35 01 Email: scs@components.siemens.se</p>	<p>RC Infineon Technologies Asia Pacific Pte.Ltd. Taiwan Branch 10F,No.136 Nan King East Road Section 23,Taipei T (+8 86)2-27 73 66 06 Fax (+8 86)2-27 71 20 76</p> <p>SGP Infineon Technologies Asia Pacific,Pte.Ltd. 168 Kallang Way Singapore 349 253 T (+65)8 40 06 10 Fax (+65)7 42 62 39</p> <p>USA Infineon Technologies Corporation 1730 North First Street San Jose,CA 95112 T (+1)4 08-5 01 60 00 Fax (+1)4 08-5 01 24 24</p> <p>Siemens Components,Inc. Optoelectronics Division 19000 Homestead Road Cupertino,CA 95014 T (+1)4 08-2 57 79 10 Fax (+1)4 08-7 25 34 39</p> <p>Siemens Components,Inc. Special Products Division 186 Wood Avenue South Iselin,NJ 08830-2770 T (+1)7 32-9 06 43 00 Fax (+1)7 32-6 32 28 30</p> <p>VRC Infineon Technologies Hong Kong Ltd. Beijing Office Room 2106,Building A Vantone New World Plaza No.2 Fu Cheng Men Wai Da Jie Jie 100037 Beijing T (+86)10 -68 57 90 -06,-07 Fax (+86)10 -68 57 90 08</p> <p>Infineon Technologies Hong Kong Ltd. Chengdu Office Room14J1,Jinyang Mansion 58 Tidu Street Chengdu, Sichuan Province 610 016 T (+86)28-6 61 54 46 /79 51 Fax (+86)28 -6 61 01 59</p> <p>Infineon Technologies Hong Kong Ltd. Shanghai Office Room1101,Lucky Target Square No.500 Chengdu Road North Shanghai 200003 T (+86)21-63 6126 18 /19 Fax (+86)21-63 61 11 67</p> <p>Infineon Technologies Hong Kong Ltd. Shenzhen Office Room 1502,Block A Tian An International Building Renim South Road Shenzhen 518 005 T (+86)7 55 -2 28 91 04 Fax (+86)7 55-2 28 02 17</p> <p>ZA Siemens Ltd. Components Division P.O.B.3438 Halfway House 1685 T (+27)11-6 52 -27 02 Fax (+27)11-6 52 20 42</p>
---	--	---	---