



Chipsmall Limited consists of a professional team with an average of over 10 year of expertise in the distribution of electronic components. Based in Hongkong, we have already established firm and mutual-benefit business relationships with customers from,Europe,America and south Asia,supplying obsolete and hard-to-find components to meet their specific needs.

With the principle of “Quality Parts,Customers Priority,Honest Operation,and Considerate Service”,our business mainly focus on the distribution of electronic components. Line cards we deal with include Microchip,ALPS,ROHM,Xilinx,Pulse,ON,Everlight and Freescale. Main products comprise IC,Modules,Potentiometer,IC Socket,Relay,Connector.Our parts cover such applications as commercial,industrial, and automotives areas.

We are looking forward to setting up business relationship with you and hope to provide you with the best service and solution. Let us make a better world for our industry!



Contact us

Tel: +86-755-8981 8866 Fax: +86-755-8427 6832

Email & Skype: info@chipsmall.com Web: www.chipsmall.com

Address: A1208, Overseas Decoration Building, #122 Zhenhua RD., Futian, Shenzhen, China



Product Information

High Power LED Driver

MLX10803

MLX10803 is a general purpose LED driver for high power LEDs. The circuit is optimal for low cost applications using the most efficient power-saving techniques. MLX10803 is suitable for all different supply sources 6 V and higher, AC or DC. The circuit complies with the most demanding internationally recognized Automotive Quality Standard, ISO/TS16949.

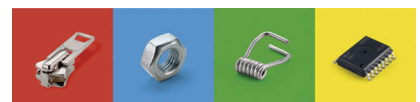
Features

- High flexibility and functionality at a very low cost
- Low switching noise due to randomized switching frequency
- Three unique reference inputs for:
 - Optical feedback
 - Soft start and dimming functionality
 - Down regulation at a maximal temperature
 - Temperature compensation
- Very good PFC for AC applications
- Excellent brown-out handling
- Suitable for LED applications from 100 mW to 1 kW with external power transistor

Applications

- Backlight panels
- Automotive front and rear lamps
- Automotive interior lighting
- Domestic and industrial lighting
- Emergency lighting
- Street lighting
- Consumer products
- Architectural lighting

Melexis
Microelectronic Integrated Systems



Small things make a big difference.

Automotive ICs

RF & RFID

Sensor Interface

Intelligent Drivers
and Actuators

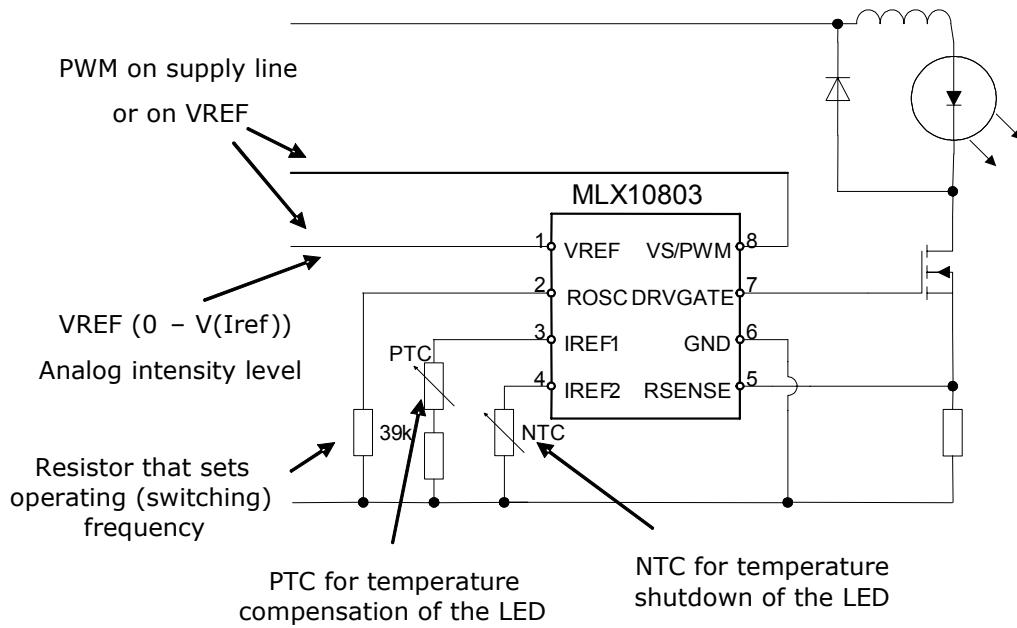
Hall ICs

CMOS Imaging

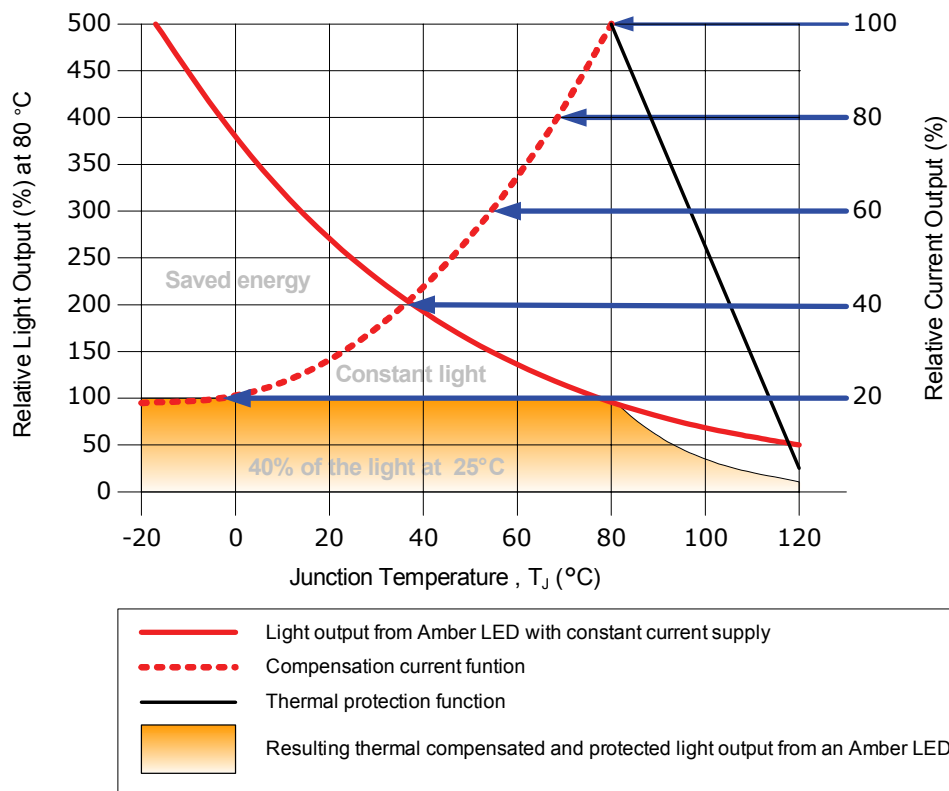
Silicon MEMS

BUS ICs

Application Schematics



Example of LED temperature compensation and protection



Disclaimer:

Devices sold by Melexis are covered by the warranty and patent indemnification provisions appearing in its Term of Sale. Melexis makes no warranty, express, statutory, implied, or by description regarding the information set forth herein or regarding the freedom of the described devices from patent infringement. Melexis reserves the right to change specifications and prices at any time and without notice. Therefore, prior to designing this product into a system, it is necessary to check with Melexis for current information. This product is intended for use in normal commercial applications. Applications requiring extended temperature range, unusual environmental requirements, or high reliability applications, such as military, medical life-support or life-sustaining equipment are specifically not recommended without additional processing by Melexis for each application. The information furnished by Melexis is believed to be correct and accurate. However, Melexis shall not be liable to recipient or any third party for any damages, including but not limited to personal injury, property damage, loss of profits, loss of use, interrupt of business or indirect, special incidental or consequential damages, of any kind, in connection with or arising out of the furnishing, performance or use of the technical data herein. No obligation or liability to recipient or any third party shall arise or flow out of Melexis' rendering of technical or other services. © 2006 Melexis NV. All rights reserved.

Email Europe and rest of the world:
sales_europe@melexis.com

Email USA :
sales_usa@melexis.com

Email Asia:
sales_asia@melexis.com

For additional information go to our website at:

www.melexis.com

Melexis
Microelectronic Integrated Systems