



Chipsmall Limited consists of a professional team with an average of over 10 year of expertise in the distribution of electronic components. Based in Hongkong, we have already established firm and mutual-benefit business relationships with customers from,Europe,America and south Asia,supplying obsolete and hard-to-find components to meet their specific needs.

With the principle of “Quality Parts,Customers Priority,Honest Operation,and Considerate Service”,our business mainly focus on the distribution of electronic components. Line cards we deal with include Microchip,ALPS,ROHM,Xilinx,Pulse,ON,Everlight and Freescale. Main products comprise IC,Modules,Potentiometer,IC Socket,Relay,Connector.Our parts cover such applications as commercial,industrial, and automotives areas.

We are looking forward to setting up business relationship with you and hope to provide you with the best service and solution. Let us make a better world for our industry!



Contact us

Tel: +86-755-8981 8866 Fax: +86-755-8427 6832

Email & Skype: info@chipsmall.com Web: www.chipsmall.com

Address: A1208, Overseas Decoration Building, #122 Zhenhua RD., Futian, Shenzhen, China



LAN9220 / LAN9221 Mini Development Card

Assy 6527

PCB Revision B

Schematic Revision 1.1

Design Details

Board:
Assy 6527

Chip:
SMSC LAN9220 / LAN9221

Board Form Factor:
59.60mm x 58.42mm

Assembly:
56-Pin QFN

Circuit Diagrams utilizing SMSC Products Are Included As A Means Of Illustrating Typical Semiconductor Applications: Consequently Complete Information Sufficient For Construction Purposes Is Not Necessarily Given. The Information Has Been Carefully Checked And Is Believed To Be Entirely Reliable. However, No Responsibility Is Assumed For Inaccuracies. Furthermore, Such Information Does Not Convey To The Purchaser Of The Semiconductor Devices Described Any License Under The Patent Rights Of SMSC Or Others. SMSC Reserves The Right To Make Changes At Any Time In Order To Improve Design And Supply The Best Product Possible.

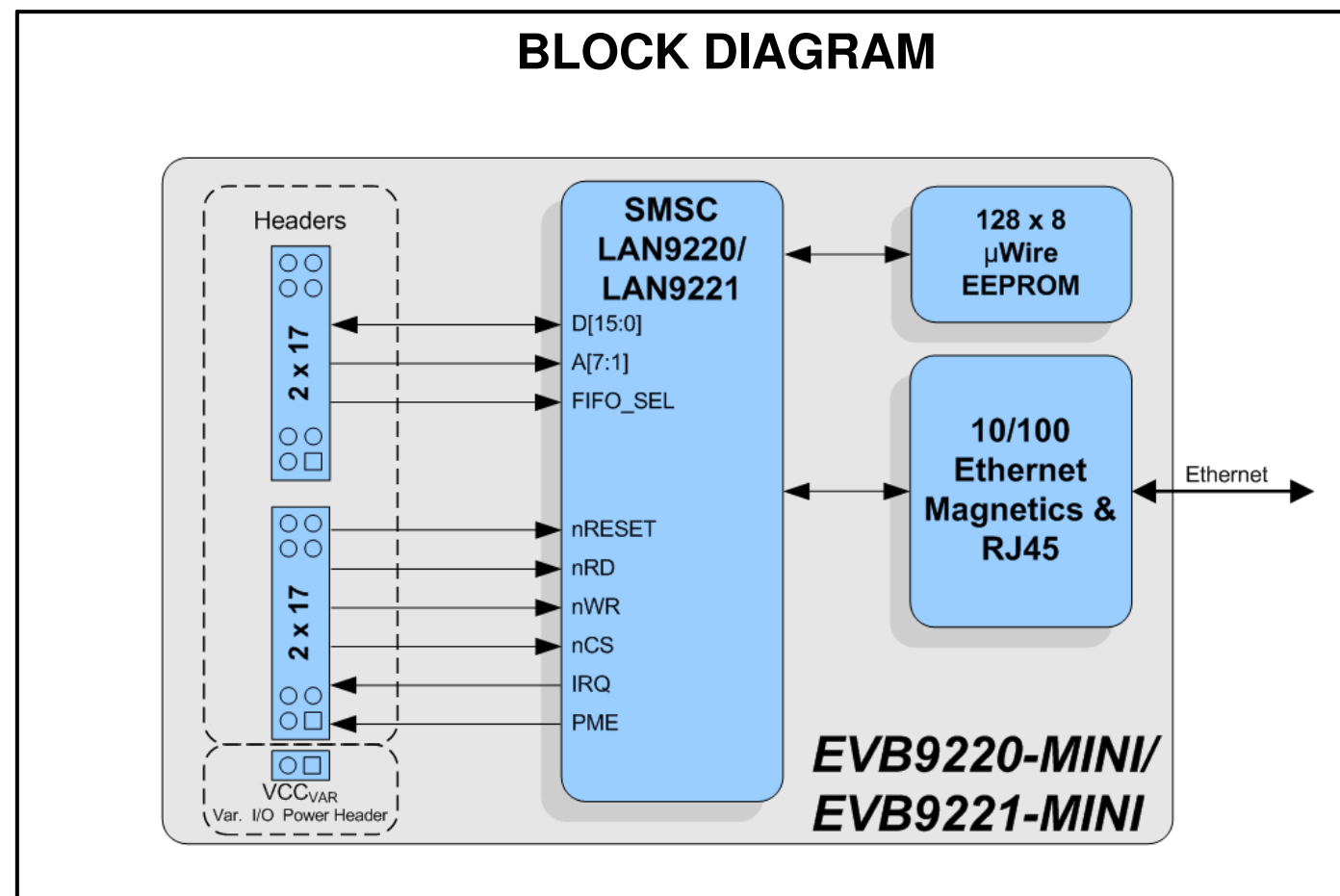
ITEM	Page(s)
Title Page	1
Expansion Slot Edge Fingers	2
LAN9220 / LAN9221	3

Revision History

Rev 1.0 to 1.1:

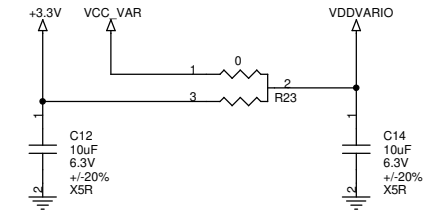
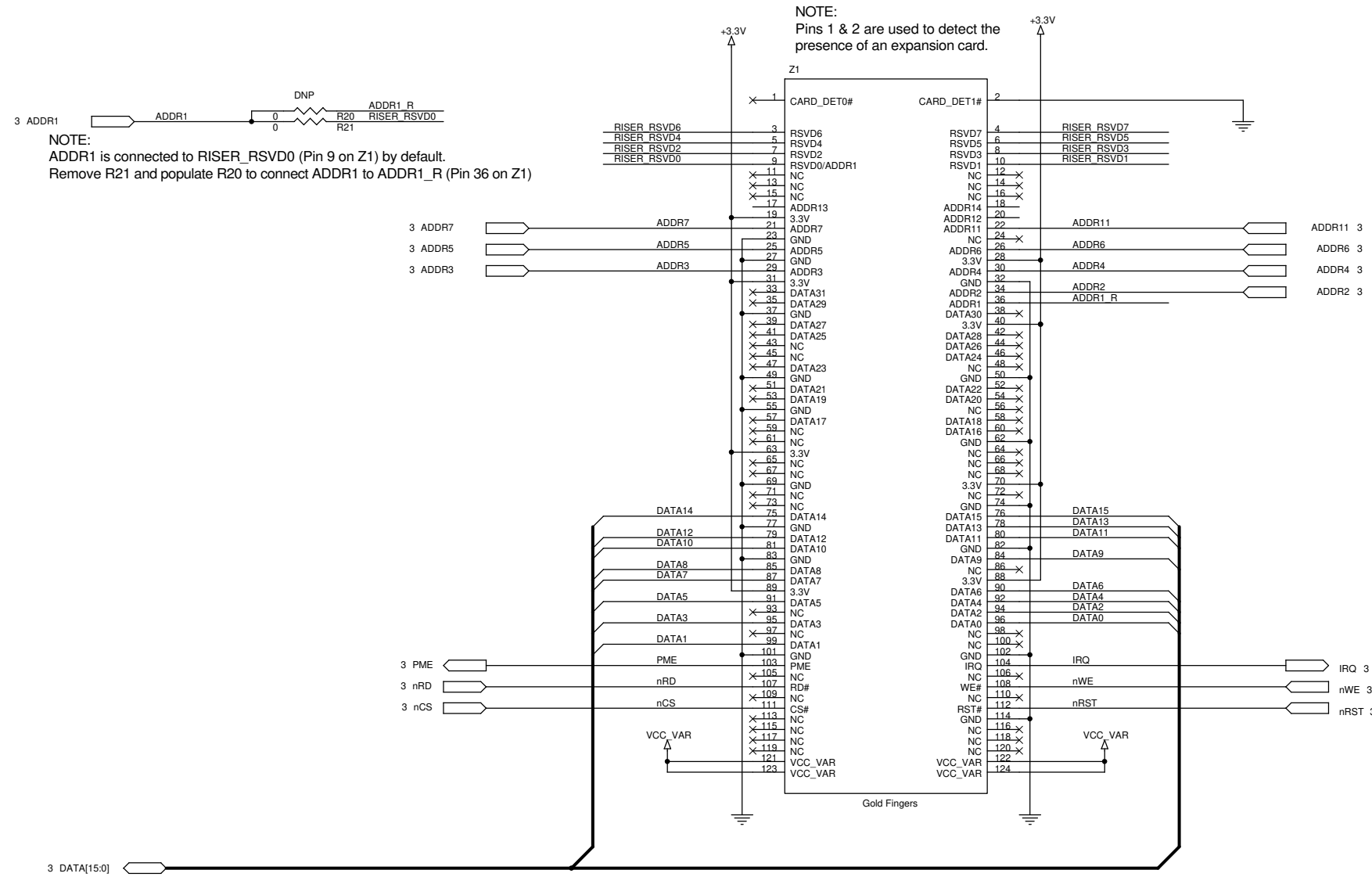
Page 2: Added note for default ADDR1 configuration

BLOCK DIAGRAM

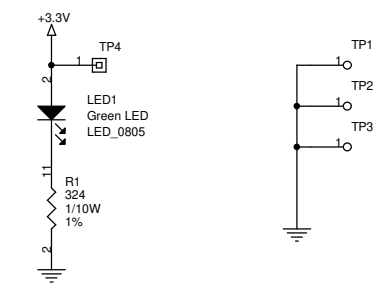
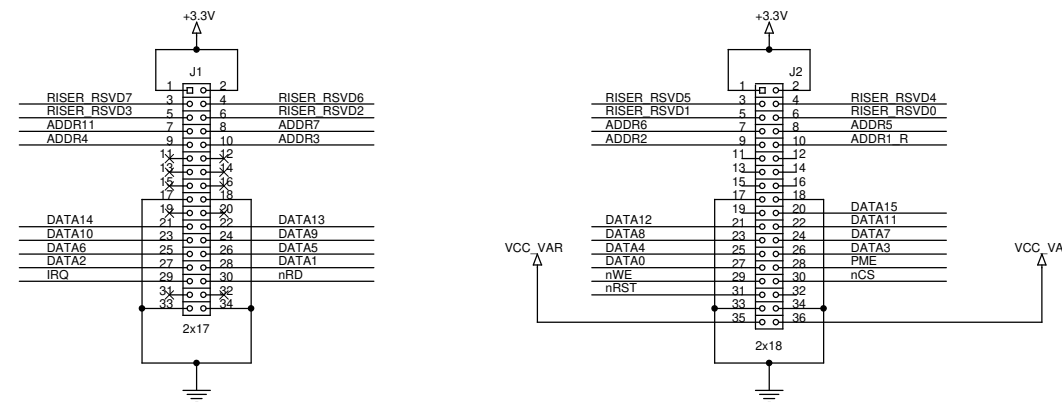


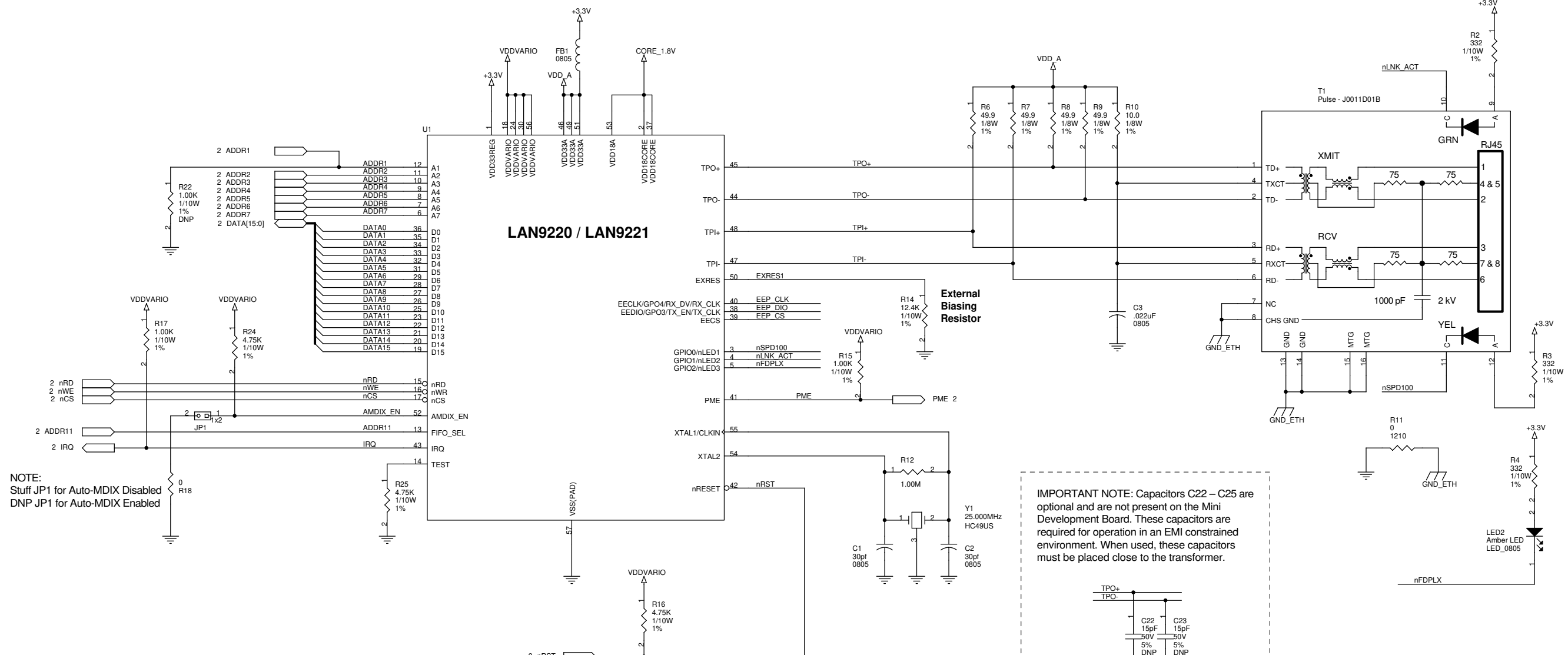
Title Page				
Size	Engineer	Assembly No.	PCB Rev	Schematic Rev
C	J. M.	6527	B	1.1
Date:	Monday, September 14, 2009		Sheet	1 of 3

Local Bus Expansion Slot



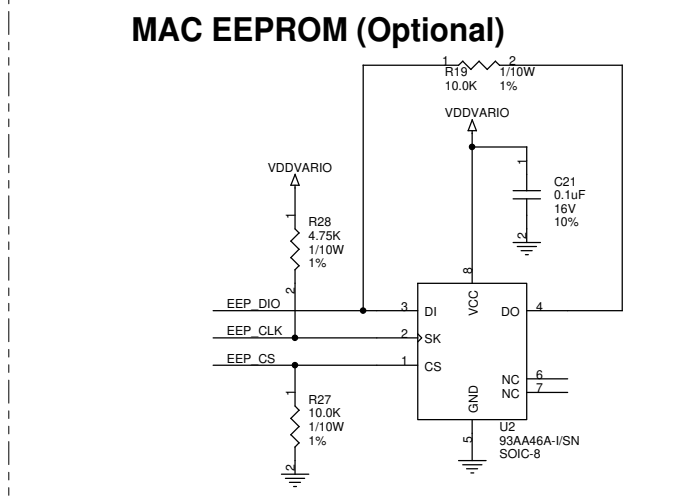
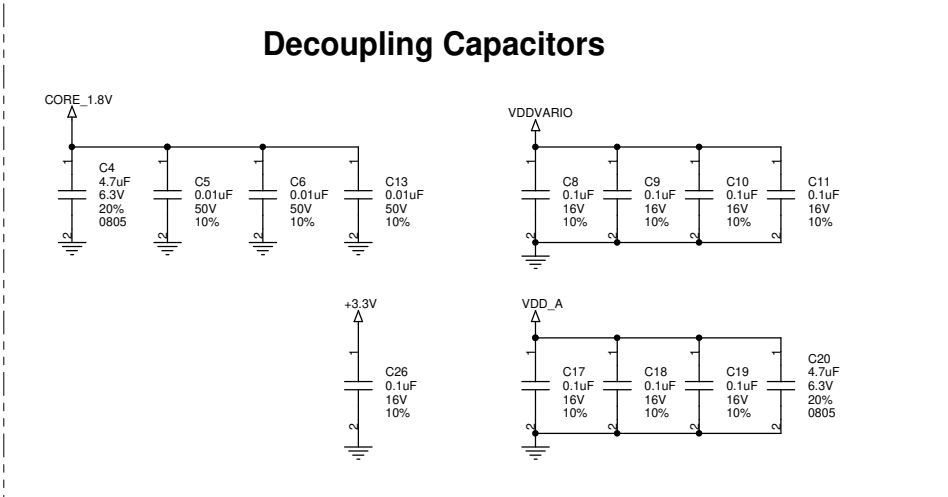
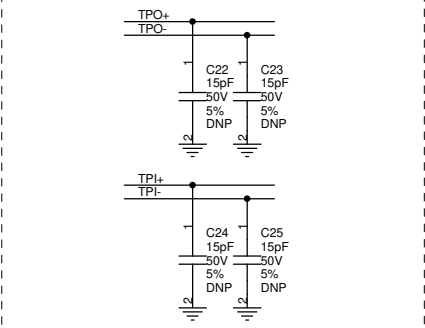
Local Bus Test Points





NOTE:
 Stuff JP1 for Auto-MDIX Disabled
 DNP JP1 for Auto-MDIX Enabled

IMPORTANT NOTE: Capacitors C22 – C25 are optional and are not present on the Mini Development Board. These capacitors are required for operation in an EMI constrained environment. When used, these capacitors must be placed close to the transformer.



SMSC SUCCESS BY DESIGN				
Title: LAN9220 / LAN9221 Mini Development Card				
Size: C	Engineer: J. M.	Assembly No.: 6527	PCB Rev: B	Schematic Rev: 1.1
Date: Wednesday, September 16, 2009			Sheet 3 of 3	