



Chipsmall Limited consists of a professional team with an average of over 10 year of expertise in the distribution of electronic components. Based in Hongkong, we have already established firm and mutual-benefit business relationships with customers from,Europe,America and south Asia,supplying obsolete and hard-to-find components to meet their specific needs.

With the principle of “Quality Parts,Customers Priority,Honest Operation,and Considerate Service”,our business mainly focus on the distribution of electronic components. Line cards we deal with include Microchip,ALPS,ROHM,Xilinx,Pulse,ON,Everlight and Freescale. Main products comprise IC,Modules,Potentiometer,IC Socket,Relay,Connector.Our parts cover such applications as commercial,industrial, and automotives areas.

We are looking forward to setting up business relationship with you and hope to provide you with the best service and solution. Let us make a better world for our industry!



## Contact us

Tel: +86-755-8981 8866 Fax: +86-755-8427 6832

Email & Skype: info@chipsmall.com Web: www.chipsmall.com

Address: A1208, Overseas Decoration Building, #122 Zhenhua RD., Futian, Shenzhen, China

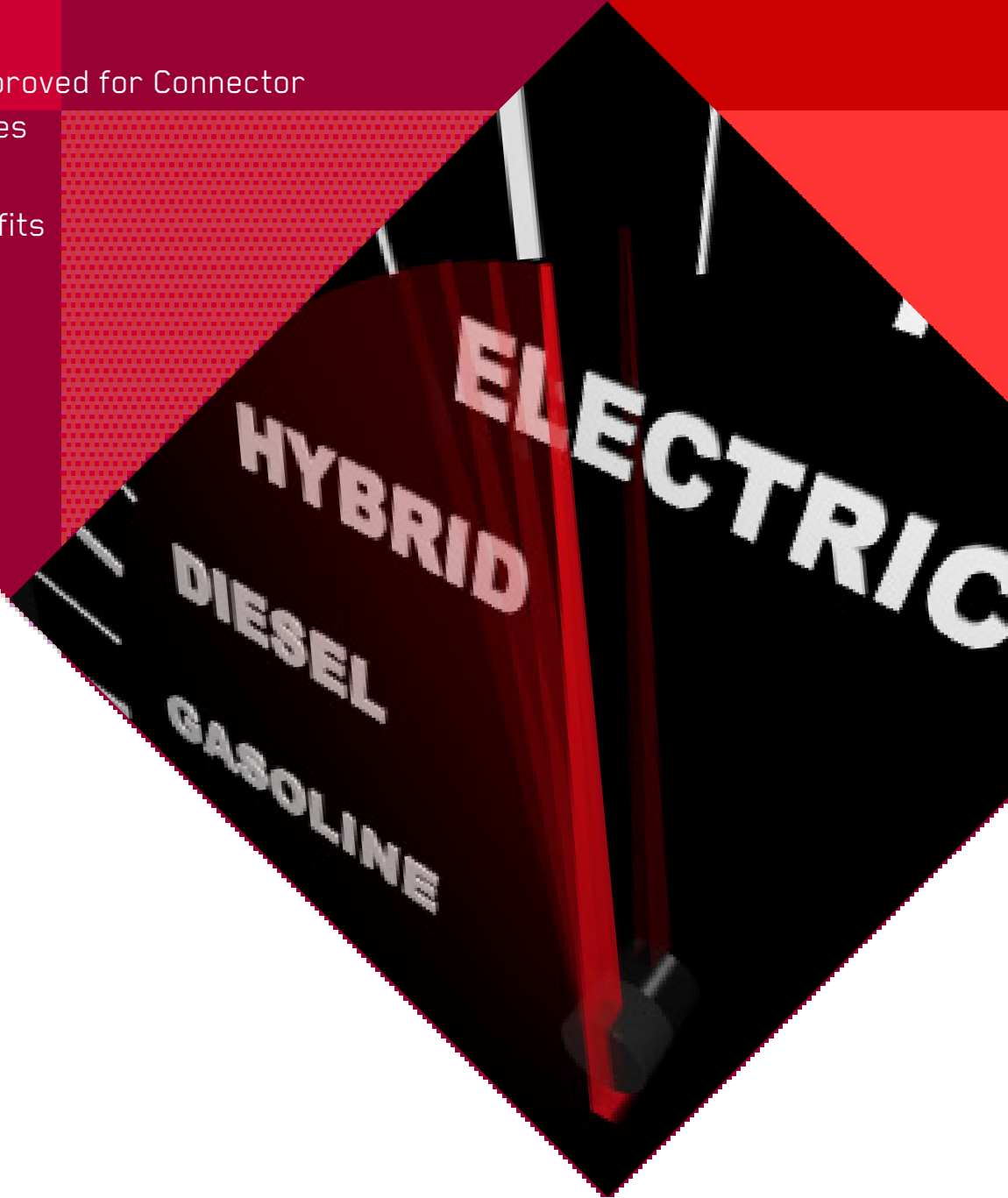


VEAM

# J1772, IEC & GB

UL, CUL, CE, GB approved for Connector  
and Cable Harnesses

Features and Benefits



**ITT**

ENGINEERED FOR LIFE

# SAE J1772 Gen 2, IEC, and GB - First UL certified Level 1 & 2 couplers and inlets only

ITT introduces the Next Generation J1772, IEC, and GB Electric Vehicle charging systems with AC interconnects allowing charging options from 15A up to 75A at a reduced lead time.

ITT used VOC feedback from the first generation connector to develop a second generation (Gen 2) of J1772 connectors to exceed customer expectations for an emerging market. ITT created a modular handle for all regional electric vehicle charging interconnects including J1772 for the Americas and Japan, IEC for Europe and GB for China. By using common components such as the ergonomically designed handle, robust contact system, innovative wire positioners and strain relief system, ITT achieved a worldwide branding option for the end customer, which gives a unique advantage over other J1772 connector suppliers.

## Applications

- Home EV Charging Units
- Public Charging Stations
- Roadside Assistance Trucks
- Fleet Trucks
- EV Mass Transit Vehicles
- Electric Watercraft
- Passenger Vehicles
- Electric Motorcycles
- Electric Agriculture Vehicles

Our products do, what we say they will do



### Louver band contacts on the coupler side

Provides flexible charging options from 15A to 75A AC, low contact resistance, and a minimum of 10k cycles.



### Drain holes at the bottom of the coupler

Eliminates latch freezing and includes protective shield from small diameter metal penetration to the wiring.








### Dual locking system

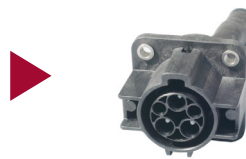
Provides the customer options of a secondary locking system for theft prevention.

## Why customers benefit from choosing ITT's EVC Series

- Built in accordance with all regional EV Standards
- UL, cUL, and CE Certified Couplers and Inlets Only
- Up to 75A charging options
- Standardization of handle for J1772, IEC, and GB specifications
- 40+ years of proven louver band technology

## Technical overview

-  Cable options from #6 AWG - #14 AWG
-  Sealing to meet and exceed UL50
-  Up to 75A AC Charging option
-  Low contact resistance of 100mA
-  UL Certified: File Number E330790



### The J1772 Inlet

Accessories include spring loaded cap, rear strain relief boot, sealed or unsealed, and can be provided as a connector only or as a harness against all regional EV Standards. Actuators for Europe and Asia Pacific are available.



### Strain relief

Eliminates over stressing of the cable and provides IP44 protection.



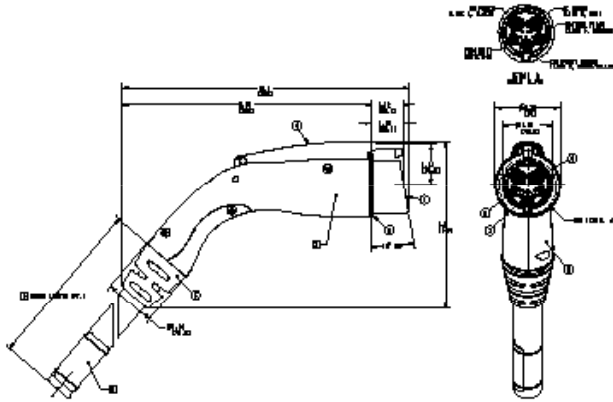
### Textured handle

Selected by the human factor groups provides enhanced grip while in use.

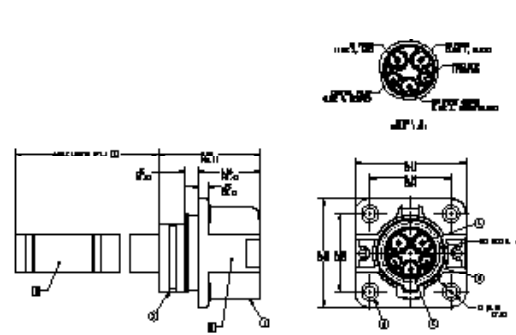


21st Century technology in the field with no known failures.

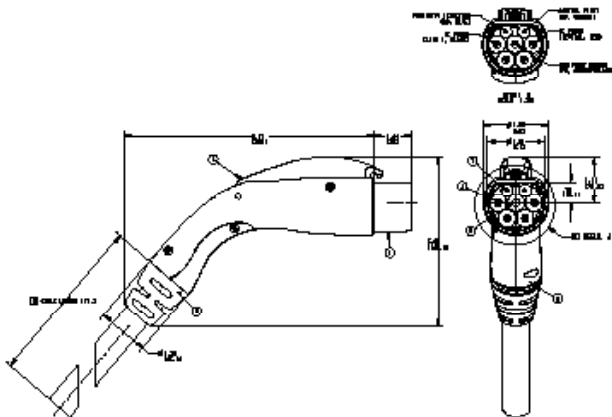
J1772, Charging Connector Coupler,  
EVC Series, Gen 2



J1772, Charging Connector Inlet,  
EVC Series, Gen 2 TBD



GB, Charging Connector Coupler,  
Vehicle, EVC Series, Gen 2





**ITT Interconnect Solutions**  
Cannon, VEAM, BIW  
Connector Systems

Visit our website at  
[www.ittcannon.com](http://www.ittcannon.com)













 **Global Design & Manufacturing**

 **Customer Support**

### North America

-   **MEXICO - Cannon, VEAM**  
Av. Libre Comercio s/n-  
entre Calzada Industrial  
Nuevo Nogales y Calzada del Raquet Club,  
Parque Industrial Nuevo Nogales  
phone: +52.631.3110050  
fax: +52.631.3110060
-   **USA - Cannon**  
666 East Dyer Road  
Santa Ana, CA 92705  
toll free: +1.800.854.3028  
phone: +1.714.557.4700  
fax: +1.714.628.2142
-   **USA - BIW Connector Systems**  
500 Tesconi Circle  
Santa Rosa, CA 95401  
phone: +1.707.523.2300  
fax: +1.707.523.3567
-   **USA - VEAM**  
100 New Wood Road  
Watertown, CT 06795  
phone: +1.860.274.9681  
fax: +1.860.274.4963

### Europe & Middle East

-   **FRANCE - Cannon, VEAM**  
15, Boulevard Robert Thiboust  
Serris, France 77700  
phone: +33.1.60.04.93.93  
fax: +33.1.60.04.93.90
-   **GERMANY - Cannon, VEAM**  
Cannonstrasse 1  
Weinstadt, 71384  
phone: +49.7151.699.0  
fax: +49.7151.699.217
-   **ITALY - VEAM**  
Corso Europa 41/43  
Lainate (MI), Italy 20020  
phone: +39.02938721  
fax: +39.0293872300
-   **LEBANON - BIW Connector Systems**  
P.O. Box 199  
Jounieh  
Lebanon  
phone: +961.9.911.560  
fax: +961.9.912.126
-   **UK - Cannon, VEAM**  
Jays Close, Viabes Estate  
Basingstoke, RG22 4BA  
phone: +44.1256.311200  
fax: +44.1256.323356

### Asia

-   **CHINA - Cannon, VEAM**  
Tuopandun Industrial Area,  
Jinda Cheng, Xiner Village, Shajing Town,  
Boan District, Shenzhen City,  
Guangdong Province, China 518125  
phone: +86.755.2726.7238  
fax: +86.755.2726.7515
-  **HONG KONG - Cannon, VEAM**  
Units 2405-6, 24/F, ING Tower  
308 Des Voeux Road Central  
Hong Kong  
phone: +852.2732.2720  
fax: +852.2732.2919
-  **INDIA - Cannon, VEAM**  
ITT Corporation India Pvt Ltd  
Money Chamber, Unit No. 202  
#6, KH Road, Bangalore  
560027  
phone: +91 22 67843000  
fax: +91 22 26783033
-   **JAPAN - Cannon, VEAM**  
5-11-3, Hibarigaoka,  
Zama-shi, Kanagawa, Japan 252-0003  
phone: +81.462.57.2010  
fax: +81.462.57.1680
-  **SINGAPORE - Cannon, VEAM**  
10 Jalan Kilang #06-01  
Singapore 159410  
phone: +65.62763693 ext 232  
fax: +65.62763685



**ENGINEERED FOR LIFE**

The "ITT Engineered Blocks" symbol, "Engineered for life", "ITT", "Cannon", "Veam" and "BIW Connector Systems" are registered trademarks of ITT Corporation. Specification and other data are based on information available at the time of printing, and are subject to change without notice.  
© 2012 ITT Corporation Photo Credits vehicles: Shutterstock.com