



Chipsmall Limited consists of a professional team with an average of over 10 year of expertise in the distribution of electronic components. Based in Hongkong, we have already established firm and mutual-benefit business relationships with customers from,Europe,America and south Asia,supplying obsolete and hard-to-find components to meet their specific needs.

With the principle of "Quality Parts,Customers Priority,Honest Operation,and Considerate Service",our business mainly focus on the distribution of electronic components. Line cards we deal with include Microchip,ALPS,ROHM,Xilinx,Pulse,ON,Everlight and Freescale. Main products comprise IC,Modules,Potentiometer,IC Socket,Relay,Connector.Our parts cover such applications as commercial,industrial, and automotives areas.

We are looking forward to setting up business relationship with you and hope to provide you with the best service and solution. Let us make a better world for our industry!



## Contact us

Tel: +86-755-8981 8866 Fax: +86-755-8427 6832

Email & Skype: info@chipsmall.com Web: www.chipsmall.com

Address: A1208, Overseas Decoration Building, #122 Zhenhua RD., Futian, Shenzhen, China

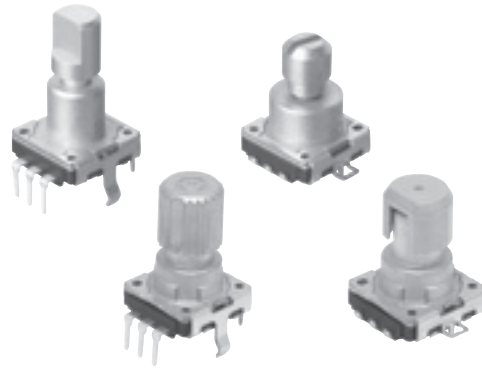


## 11 mm Square GS Encoders

Type: **EVER/EVEU/EVEV/EVEY**

### ■ Features

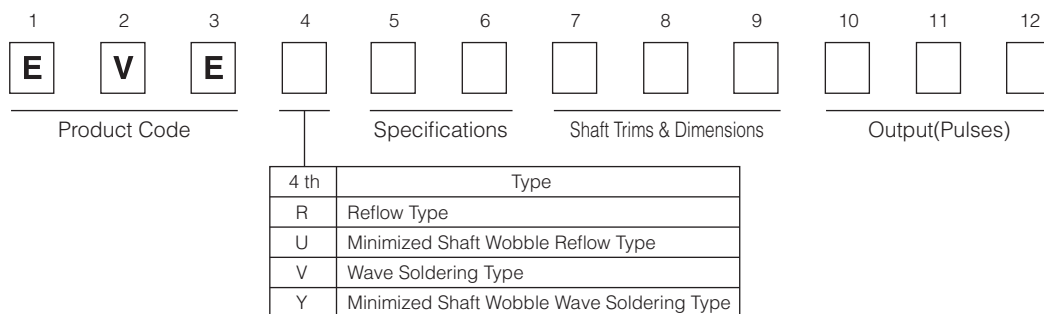
- Low Profile : Reflow Type 3.5 mm,  
Wave Soldering Type 4 mm
- Minimized shaft wobble type is also available
- The reflow type allows the product to be automatically mounted and reflow-soldered



### ■ Recommended Applications

- Car audio, car navigation, car air conditioners

### ■ Explanation of Part Numbers



### ■ Specifications

		EVER (Reflow Type)	EVEV (Wave Soldering Type)	EVEU (Minimized Shaft Wobble Reflow Type)	EVEY (Minimized Shaft Wobble Wave Soldering Type)
Mechanical	Rotation Angle	360 ° (Endless)			
	Shaft Pull/Push Strength	100 N min.			
	Shaft Wobble	0.6×L/30 (mm) max.		0.35×L/30 (mm) max.	
	Rotation Torque	8 mN·m, 10 mN·m, 12 mN·m, 14 mN·m			
	Detents	16 points, 24 points, 30 points, 32 points			
	Shaft Length Range	L1=15 to 20 mm	L1=15 to 30 mm	L1=16 to 20 mm	
Electrical	Output Signals	Phase A and B			
	Resolution	8, 12, 15, 16 pulses/360 °			
	Rating	1 mA 10 V DC (at each bit)			
	Contact Resistance	1 Ω max.			
	Chattering	3 ms max.			
	Insulation Resistance	50 MΩ min. (at 250 V DC)			
	Dielectric Withstanding Voltage	300 V AC for 1 minute			
Switch Part	Bouncing	5 ms max.			
	Type	SPST Push-on			
	Rating	20 mA 16 V DC			
	Contact Resistance	100 mΩ max.			
	Operating Force	0.4 mm travel type : 3 N, 4 N , 6 N 1.5 mm travel type : 2.5 N, 4 N , 5 N			
Endurance	Travel	0.4 mm, 1.5 mm			
	Rotation Life (Encoder)	30,000 cycles min.			
	Operating Life (Switch)	30,000 cycles min.			
Minimum Quantity/Packing Unit		50 pcs. (Tray Pack)	100 pcs. (Tray Pack)	50 pcs. (Tray Pack)	100 pcs. (Tray Pack)
Quantity/Carton		250 pcs. or 300 pcs.	500 pcs.	250 pcs. or 300 pcs.	500 pcs.

Design and specifications are each subject to change without notice. Ask factory for the current technical specifications before purchase and/or use.  
Should a safety concern arise regarding this product, please be sure to contact us immediately.

■ Dimensions in mm (not to scale)

No. 1

**EVER**  
(Reflow Type)

General dimension tolerance : ± 0.5  
( ) dimensions are reference dimensions.

Bushing length		L <sup>1</sup>	(L <sup>2</sup> )
B	5.0 mm	15.0 mm to 17.0 mm	11.5 mm to 13.5 mm
	7.0 mm	17.0 mm to 20.0 mm	13.5 mm to 16.5 mm

Shaft shape and dimension

No. 2

**EVEU**  
(Minimized Shaft Wobble Reflow Type)

General dimension tolerance : ± 0.5  
( ) dimensions are reference dimensions.

L <sup>1</sup>	(L <sup>2</sup> )	(L <sup>3</sup> )
16.0 mm to 20.0 mm	12.5 mm to 16.5 mm	6.5 mm to 10.5 mm

Material: Zinc alloy for die casting  
Shaft shape and dimension

No. 3

**EVEV**  
(Wave Soldering Type)

General dimension tolerance : ± 0.5  
( ) dimensions are reference dimensions.

Bushing length		L <sup>1</sup>	(L <sup>2</sup> )
B	5.0 mm	15.0 mm to 17.0 mm	11.0 mm to 13.0 mm
	7.0 mm	17.0 mm to 30.0 mm	13.0 mm to 26.0 mm

Shaft shape and dimension

Design and specifications are each subject to change without notice. Ask factory for the current technical specifications before purchase and/or use.  
Should a safety concern arise regarding this product, please be sure to contact us immediately.



■ Dimensions in mm (not to scale)

No. 4

**EVEY**  
(Minimized Shaft Wobble  
Wave Soldering Type)

General dimension tolerance :  $\pm 0.5$   
( ) dimensions are reference dimensions.

L <sup>1</sup>	(L <sup>2</sup> )	(L <sup>3</sup> )
16.0 mm to 20.0 mm	12.0 mm to 16.0 mm	6.0 mm to 10.0 mm

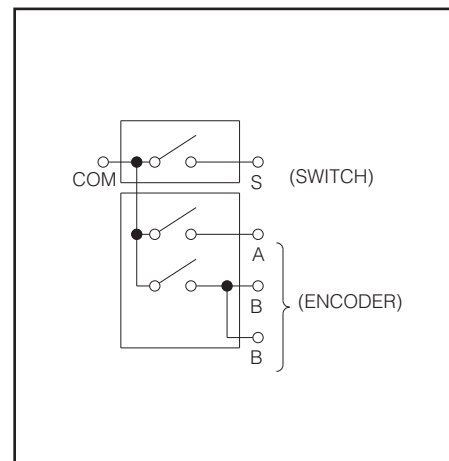
Material: Zinc alloy for die casting

■ PWB mounting hole for reference

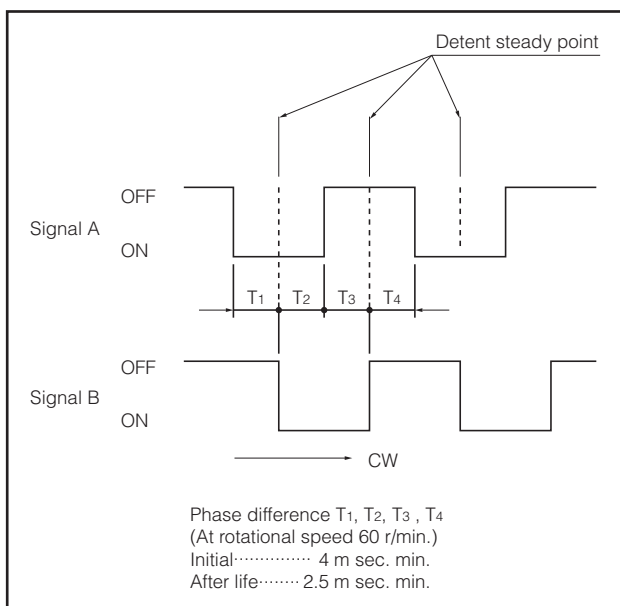
(Reflow Type)

(Wave Soldering Type)

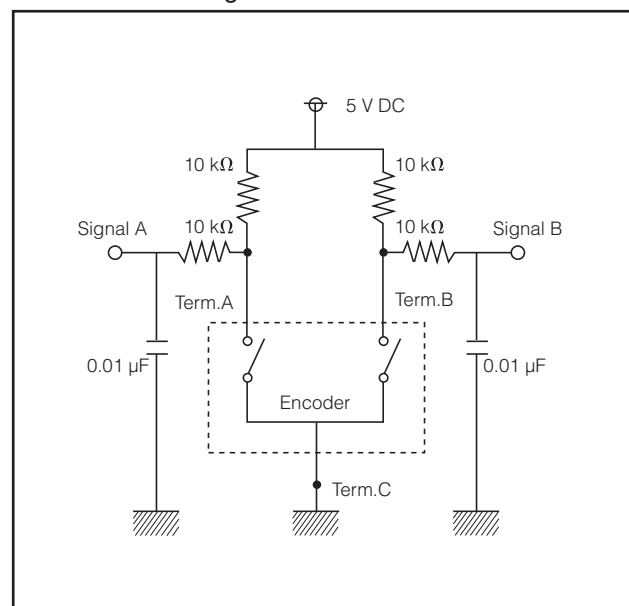
■ Encoder / Switch Circuit



■ Phase Difference



■ Test Circuit Diagram



Design and specifications are each subject to change without notice. Ask factory for the current technical specifications before purchase and/or use.  
Should a safety concern arise regarding this product, please be sure to contact us immediately.