



Chipsmall Limited consists of a professional team with an average of over 10 year of expertise in the distribution of electronic components. Based in Hongkong, we have already established firm and mutual-benefit business relationships with customers from,Europe,America and south Asia,supplying obsolete and hard-to-find components to meet their specific needs.

With the principle of “Quality Parts,Customers Priority,Honest Operation,and Considerate Service”,our business mainly focus on the distribution of electronic components. Line cards we deal with include Microchip,ALPS,ROHM,Xilinx,Pulse,ON,Everlight and Freescale. Main products comprise IC,Modules,Potentiometer,IC Socket,Relay,Connector.Our parts cover such applications as commercial,industrial, and automotives areas.

We are looking forward to setting up business relationship with you and hope to provide you with the best service and solution. Let us make a better world for our industry!



Contact us

Tel: +86-755-8981 8866 Fax: +86-755-8427 6832

Email & Skype: info@chipsmall.com Web: www.chipsmall.com

Address: A1208, Overseas Decoration Building, #122 Zhenhua RD., Futian, Shenzhen, China



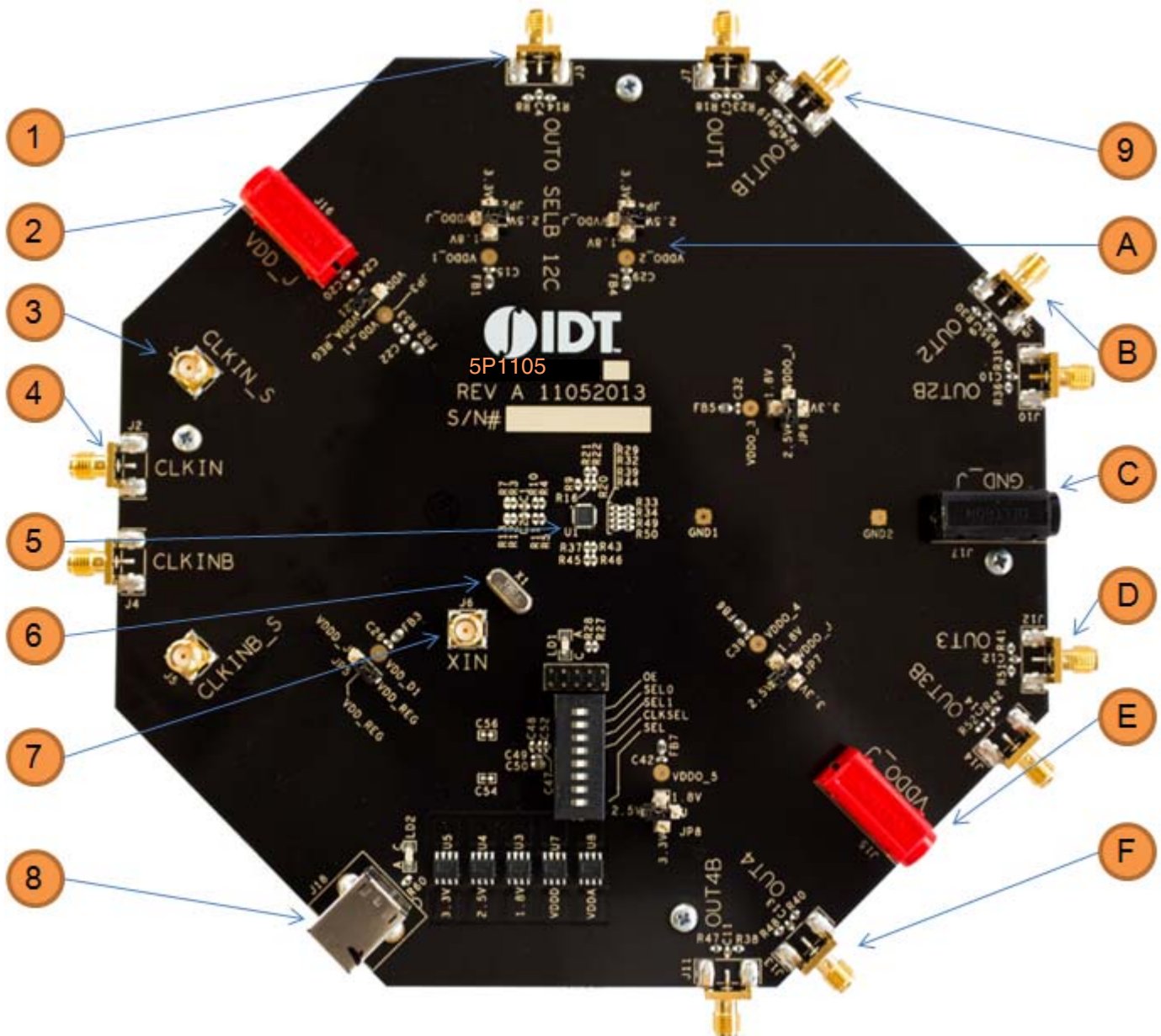
Introduction

The evaluation board is designed to help the customer evaluate the 5P1105/5P1103, the latest additions to the family of programmable devices in IDT's Timing portfolio. When the board is connected to a PC running IDT Timing Commander™ Software through USB, the device can be configured and programmed to generate frequencies with best-in-class performances.

Board Overview

Use the following diagram to identify: power supply jacks, USB connector, input and output frequency SMA connectors.

Figure 1. Board Overview



- ① OUT0 - This is a buffered output of the input reference clock, singled ended.
- ② Power supply jack, J16 – Connect to 3.3V, 2.5V or 1.8V for the core voltage of the device.
- ③ CLKIN_S/CLKINB_S – SMA pair used to monitor the differential input CLKIN/CLKINB.
- ④ Differential Input clock connector – A differential clock can be connected as a source for the device.
- ⑤ 5P1105/5P1103 – the device to be evaluated.
- ⑥ Crystal – On-board crystal, 25MHz. There are two package holders for crystals: one through-hole and a surface-mount (3225) on the bottom layer of the board.
- ⑦ XIN connector – This SMA connector is for single-ended clock input. Please note the full swing of this input is 1.2V maximum.
- ⑧ USB connector – Used this connector to connect with your PC to run IDT Timing Commander Software.
- ⑨ OUT1 /OUT1B – Output 1. It can be a differential pair or two individual single-ended outputs. Default termination configurations are described in Table 1&2 below.
- Ⓐ Output voltage selector – 4-way header to select an output voltage. The center pin is the output voltage. Use the jumper to select from 1.8V, 2.5V or 3.3V. VDDO_J is the voltage from J15 (see E).
- Ⓑ OUT2/OUT2B – Output 2. It can be a differential pair or two individual single-ended outputs. Default termination configurations are described in Table 1&2 below.
- Ⓒ Ground Jack – J17. If J15 and/or J16 is used for power supply, this jack is the power return.
- Ⓓ OUT3/OUT3B – Output 3. It can be a differential pair or two individual single-ended outputs. Default termination configurations are described in Table 1&2 below. (This output is not present on the 5P1103 EVB.)
- Ⓔ Output Voltage Jack – J15. Connect to a voltage of 1.8V, 2.5V or 3.3V for output voltages.
- Ⓕ OUT4/OUT4B – Output 4. It can be a differential pair or two individual single-ended outputs. Default termination configurations are described in Table 1&2 below. (This output is not present on the 5P1103 EVB.)

Board Power Supply

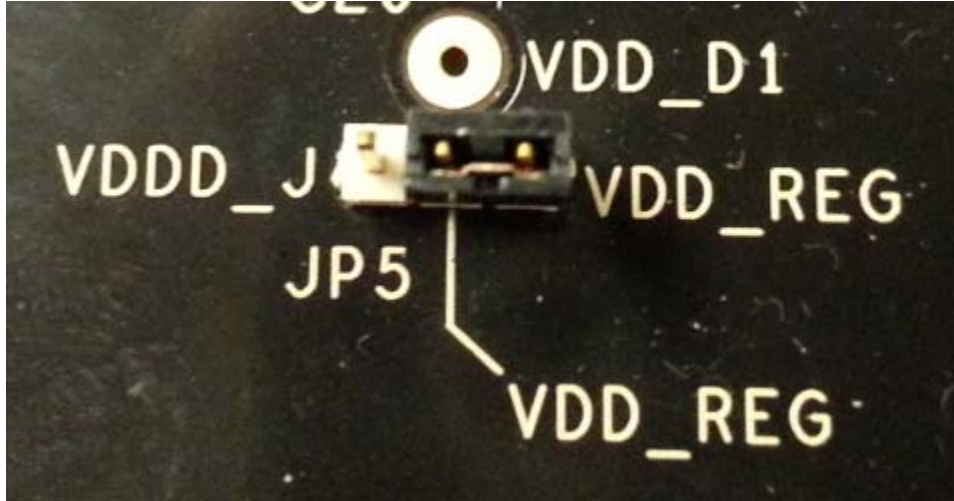
• Core Voltages

The core voltage includes a digital voltage VDDD and an analog voltage VDDA. Both core voltages can be powered by an external bench power supply or by USB.

Bench Power Supply – To supply VDDD with a bench power supply, connect power to J16. To supply VDDA with a bench power supply, connect power to J15. In the same time, place the jumpers in JP3 and JP5 to connect VDDA_J and VDDD_J, respectively.

USB Power Supply – When the board is connected to a PC through a USB cable, on-board voltage regulators will generate a 3.3V for the device. In this case, place the jumpers in JP3 and JP5 to connect VDDA_REG and VDDD_REG, respectively. See JP5 jumper position for VDDD_REG in the following figure. USB power source is recommended because it's readily available right from your laptop.

Figure 2. Jumping to the VDDD_J side will select external bench power supply; Jumping to the VDD_REG side will select power source from on-board regulators powered by USB

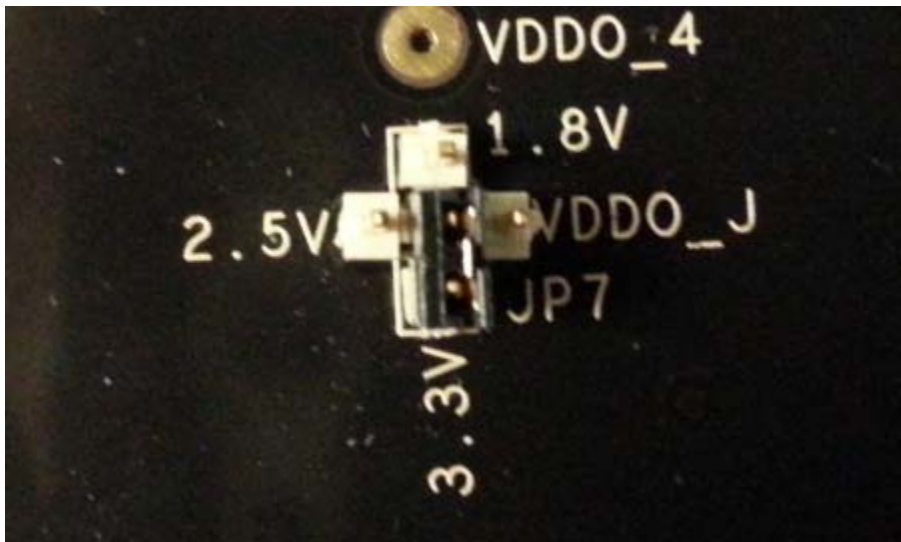


• Output Clock Voltages

Like VDDA and VDDD having two sources, each output voltage VDDO0~4 is also provided with two sources to choose from: bench power supply or powered from USB. The selection is made by a 4-way header as shown in Figure 3 below. Jumping to VDDO_J will select external power supply (JP15 and JP16 are connected to external power supply); Jumping to 1.8V, 2.5V or 3.3V will select each respective voltage from on-board voltage regulators powered by USB port.

Please note: each output voltage can be individually selected. Use the label on the evaluation board: VDDO_1 for OUT0, VDDO_2 for OUT1, VDDO_3 for OUT2, VDDO_4 for OUT3 and VDDO_5 for OUT4.

Figure 3. Use the jumper to select a voltage for OUT3: 1.8V/2.5V/3.3V is from on-board voltage regulators powered by USB; VDDO_J is from external power supply connecting to JP15 and JP16



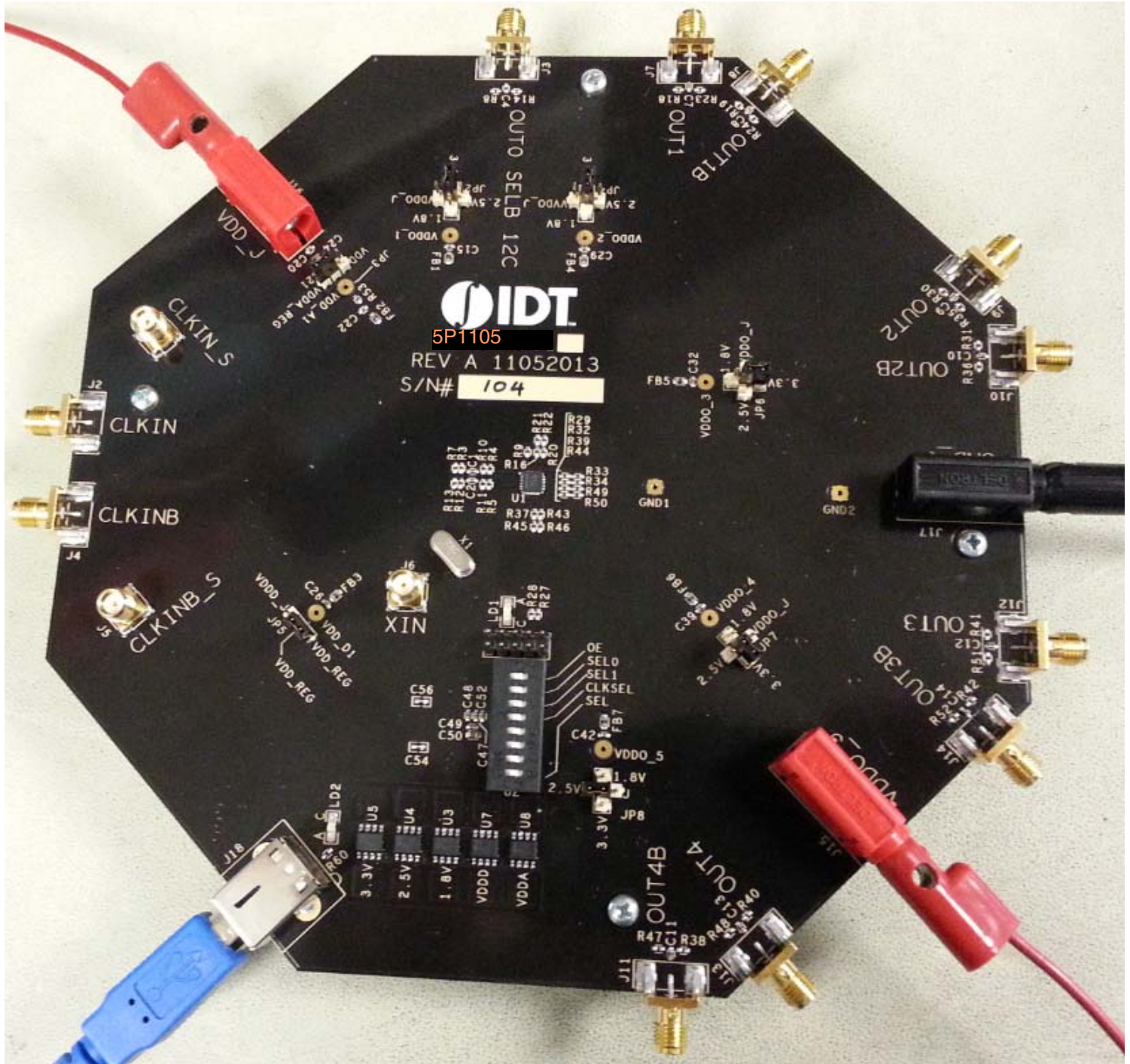
Connecting the Board

The board is connected to a PC through a USB connector for configuring and programming the device, as shown in Figure 4 below. The USB interface will also provide +5V power supply to the board, from which on-board voltage regulators generate various voltages for the core as well as for each output.

The board can also be powered by a bench power supply by connecting two banana jacks J15, J16 for output and core voltages, respectively. Please see board power supply section for details.

Note: The USB port only supports USB 2.0; USB 3.0 is not supported at this time.

Figure 4. Connecting the Board with USB Port for Communications with Timing Commander Software



On-Board Crystal

A 25MHz crystal is installed on the board. It can source a reference frequency to the device when CLKIN/CLKINB is not used. The device can reference from either the crystal or an external clock source. Clock source can be selected within GUI software.

Other input reference can be supplied to CLKIN/CLKINB (differential) or XIN (LVCMOS with full swing of 1.2V) connectors.

Board Default Frequency Output

When 25MHz crystal is installed, the device will have two default outputs: OUT0 = 25MHz, OUT1 = 100MHz.

Configuration and Setup

Use the following steps to setup the board using I²C and start the configuration of the board.

1. Set SEL pin (pin 8) of dip switch (U2) to "0" to select I2C mode.
2. Connect J18 to a USB port of the PC using the supplied I2C cable.
3. Power up the board.
4. Launch Timing Commander with buffer personality (refer to Programmable Clock Buffer Timing Commander User Guide.). Following the Getting Started steps in the Timing Commander software, an I²C connection is established between the GUI software and the programmable clock buffer chip.
5. Load the setting file into the GUI and write the settings to the chip.
6. All intended outputs should be available for measurement.

Board Schematics

Evaluation board schematics are shown on the following pages.

Figure 5. Evaluation Board Schematic – Page 1

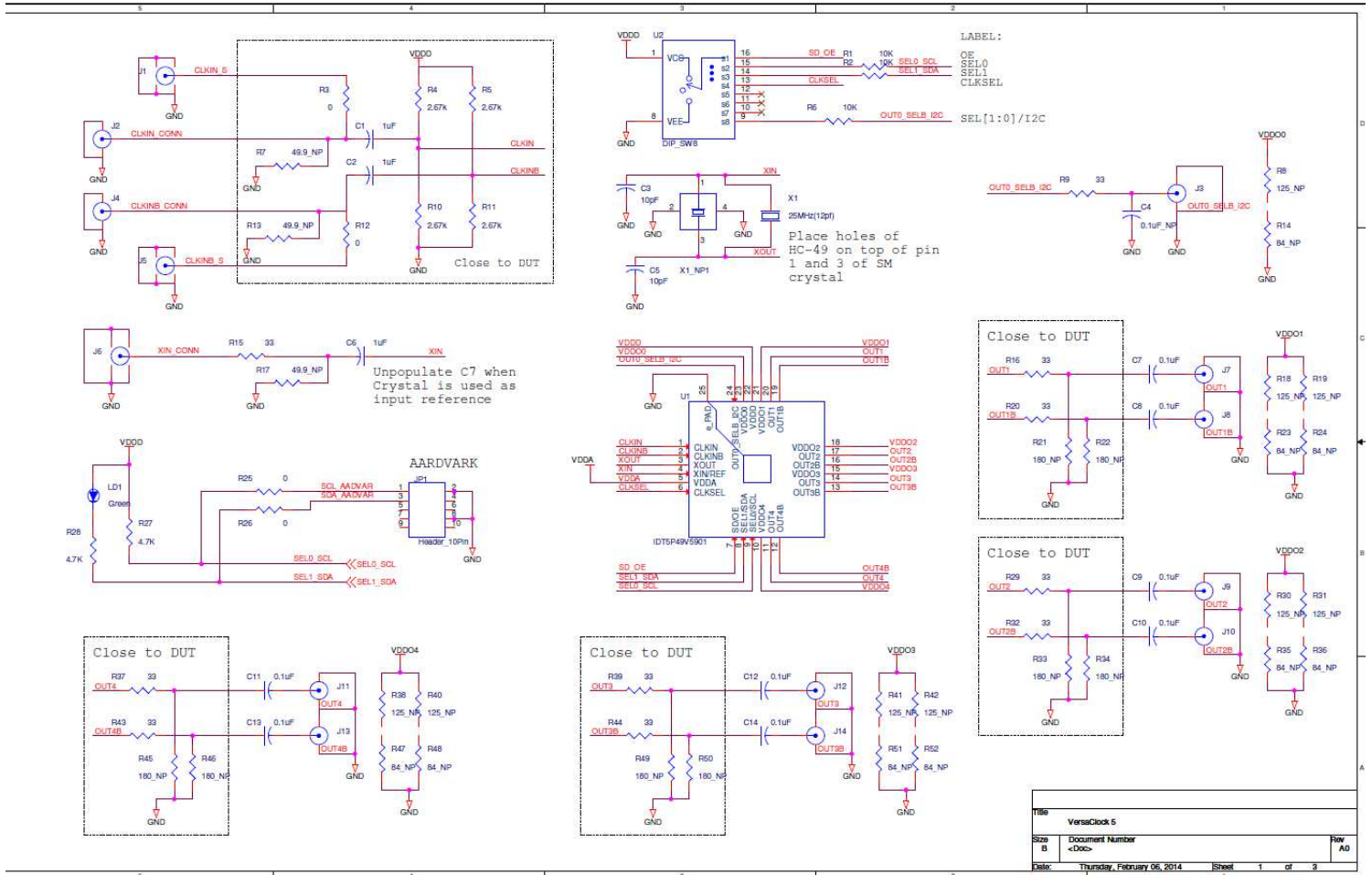
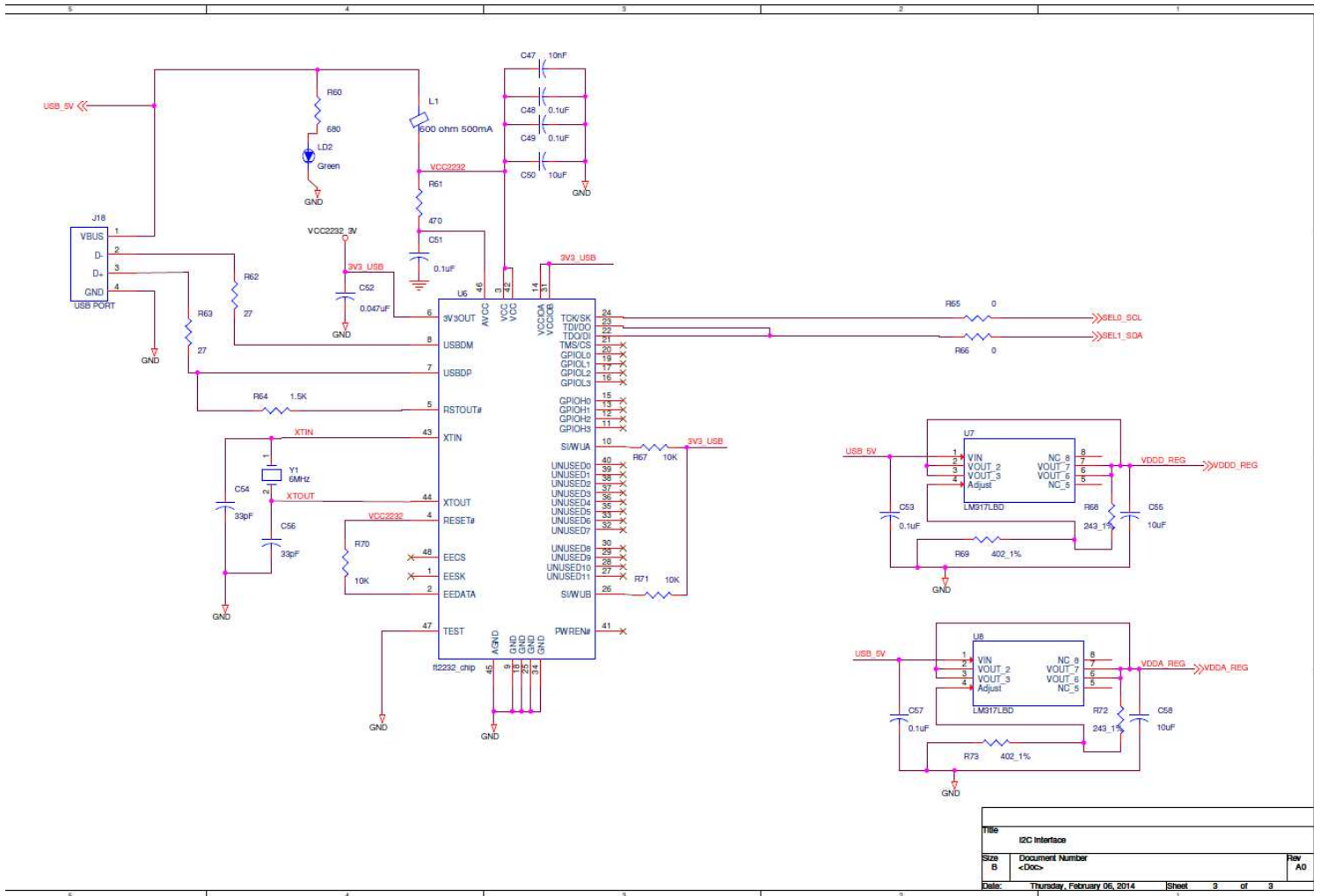


Figure 7. Evaluation Board Schematic – Page 3



Signal Termination Options

Termination options for OUTPUT1 – 4 in the evaluation board are displayed in Figure 8. The termination circuits are designed to optionally terminate the output clocks in LVPECL, LVDS, LVCMOS and HCSL signal types by populating (or not-populating) some resistors. DC or AC coupling of these outputs are also supported.

Tables 1 and 2, below, tabulates component installations of 5PB1103 and 5PB1105 evaluation boards, to support LVPECL, HCSL, LVCMOS and LVDS signal types for OUTPUT1– 4, respectively. Please note that by doing so, the output signals will be measured and terminated by an oscilloscope with a 50Ω internal termination.

Figure 8. Output Termination Options

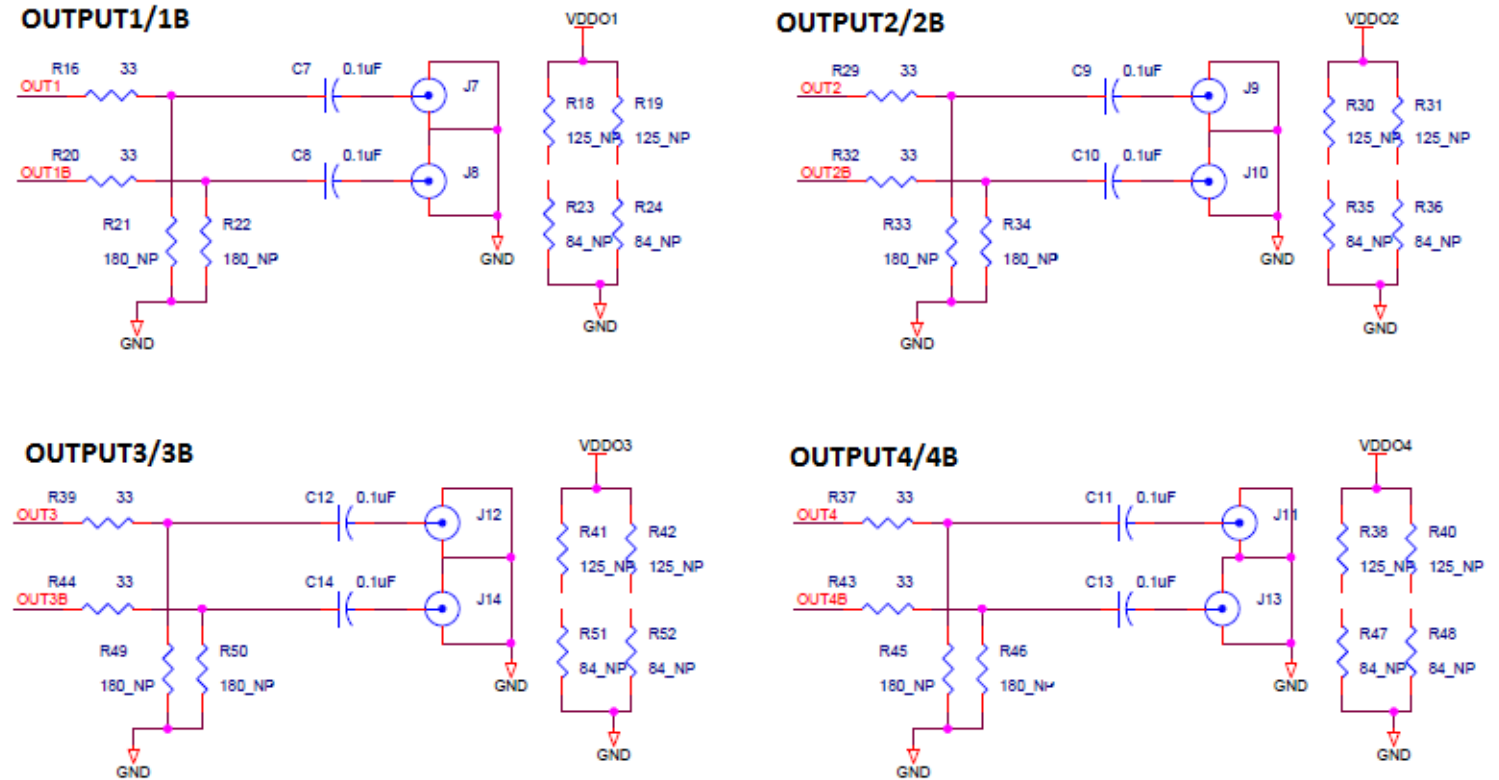


Table 1. 5PB1103 EVB Output Terminations

Output Number	Signal Type	Series Resistors	180-ohm pull-down	Series Capacitor	Resistor Network
OUTPUT1	LVPECL	R16=R20=0 Ω	R21, R22 installed	C7=C8=0.1 μF	R18, R19, R23, R24 not installed
OUTPUT2	LVDS	R29=R32=0 Ω	R33, R34 not installed	C9=C10=0.1 μF	R30, R31, R35, R36 not installed

Table 2. 5PB1105 EVB Output Terminations

Output Number	Signal Type	Series Resistors	180-ohm pull-down	Series Capacitor	Resistor Network
OUTPUT1	HCSL	R16=R20=33 Ω	R21, R22 not installed	C7=C8=0 μ F	R18, R19, R23, R24 not installed
OUTPUT2	LVDS	R29=R32=0 Ω	R33, R34 not installed	C9=C10=0.1 μ F	R30, R31, R35, R36 not installed
OUTPUT3	LVPECL	R39=R44=0 Ω	R49, R50 installed	C12=C14=0.1 μ F	R41, R42, R51, R52 not installed
OUTPUT4	LVC MOS	R37=R43=33 Ω	R45, R46 not installed	C11=C13=0.1 μ F	R38, R40, R47, R48 not installed

Note: As noted, 4-resistor network is not installed in Table 1 because oscilloscope with internal 50 Ω termination is utilized for signal termination and measurement. If an AC-coupled, stand-alone LVPECL output is needed (without oscilloscope connections), the 4-resistor network needs to be installed accordingly. The OUTPUT3 and OUTPUT4 are not installed on the 5P1103 EVB.

Orderable Part Numbers

The following evaluation board part numbers are available for order.

Table 3. Orderable Part Numbers

Part Number	Description
EVK-5P1103ALL	Evaluation board for 5P1103. Output termination configurations are as described in Table 1.
EVK-5P1105ALL	Evaluation board for 5P1105. Output termination configurations are as described in Table 2.



Corporate Headquarters
6024 Silver Creek Valley Road
San Jose, CA 95138 USA

Sales
1-800-345-7015 or
408-284-8200
Fax: 408-284-2775
www.IDT.com

Tech Support
email: clocks@idt.com
480-763-2056

DISCLAIMER Integrated Device Technology, Inc. (IDT) and its subsidiaries reserve the right to modify the products and/or specifications described herein at any time and at IDT's sole discretion. All information in this document, including descriptions of product features and performance, is subject to change without notice. Performance specifications and the operating parameters of the described products are determined in the independent state and are not guaranteed to perform the same way when installed in customer products. The information contained herein is provided without representation or warranty of any kind, whether express or implied, including, but not limited to, the suitability of IDT's products for any particular purpose, an implied warranty of merchantability, or non-infringement of the intellectual property rights of others. This document is presented only as a guide and does not convey any license under intellectual property rights of IDT or any third parties.

IDT's products are not intended for use in applications involving extreme environmental conditions or in life support systems or similar devices where the failure or malfunction of an IDT product can be reasonably expected to significantly affect the health or safety of users. Anyone using an IDT product in such a manner does so at their own risk, absent an express, written agreement by IDT.

Integrated Device Technology, IDT and the IDT logo are registered trademarks of IDT. Product specification subject to change without notice. Other trademarks and service marks used herein, including protected names, logos and designs, are the property of IDT or their respective third party owners.

Copyright ©2015 Integrated Device Technology, Inc.. All rights reserved.