



Chipsmall Limited consists of a professional team with an average of over 10 year of expertise in the distribution of electronic components. Based in Hongkong, we have already established firm and mutual-benefit business relationships with customers from,Europe,America and south Asia,supplying obsolete and hard-to-find components to meet their specific needs.

With the principle of “Quality Parts,Customers Priority,Honest Operation,and Considerate Service”,our business mainly focus on the distribution of electronic components. Line cards we deal with include Microchip,ALPS,ROHM,Xilinx,Pulse,ON,Everlight and Freescale. Main products comprise IC,Modules,Potentiometer,IC Socket,Relay,Connector.Our parts cover such applications as commercial,industrial, and automotives areas.

We are looking forward to setting up business relationship with you and hope to provide you with the best service and solution. Let us make a better world for our industry!



## Contact us

Tel: +86-755-8981 8866 Fax: +86-755-8427 6832

Email & Skype: info@chipsmall.com Web: www.chipsmall.com

Address: A1208, Overseas Decoration Building, #122 Zhenhua RD., Futian, Shenzhen, China



## 2 mm Square Low-Profile SMT Trimmer Potentiometers (Cermet, Open Frame Type)

Discontinued

Type: **EVM2G**  
**EVM2N**  
**EVM2W**



2G, 2N



2W

• Planned final production : March.2019

### Features

- Low-profile  
0.85 mm (0.95 mm max.) EVM2G  
0.81 mm (0.95 mm max.) EVM2N  
1.05 mm (1.2 mm max.) EVM2W
- Automatic adjustment type (EVM2W)
- High reliability realized by cermet element
- Excellent mountability
- Conforms to JIS C5260-1:1999
- RoHS compliant

### Recommended Applications

- Audio/visual, office, and communication equipment
- General electronic equipment

### Explanation of Part Numbers

1	2	3	4	5	6	7	8	9	10	11	12
<b>E</b>	<b>V</b>	<b>M</b>	<b>2</b>	<b>G</b>	<b>S</b>	<b>X</b>	<b>8</b>	<b>0</b>	<b>B</b>	<b>1</b>	<b>2</b>
Product Code			Type/Structure (2G, 2N, 2W)		Packaging			Taper & Resistance Example : B12=100 Ω			

### Specifications

Total Resistance Value Resistance Tolerance	100 Ω to 1 MΩ EVM2G : ±20 %, EVM2N, 2W : ±25 %
Power Rating Limiting Element Voltage	0.15 W 50 V
Rotation Torque	EVM2G, 2N : 0.5 to 10 mN·m EVM2W : 1 to 15 mN·m
Temperature Coefficient of Resistance	±250 × 10 <sup>-6</sup> /°C

### Minimum Quantity/Packing Unit

Part Number	Taping		
	Quantity per reel	Packaging quantity	Dia. of reel (mm)
EVM2G EVM2N EVM2W	3,000	15,000	φ178


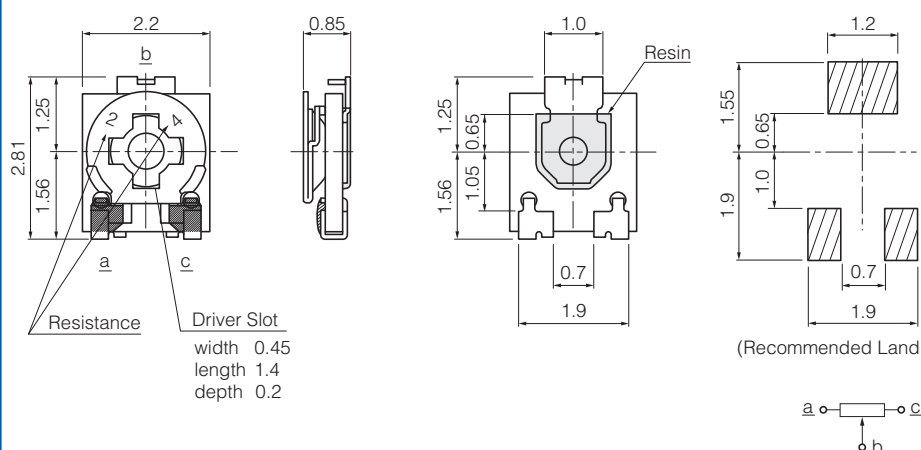
The standard packaging methods for a reel is φ178.

Please contact us, if you would like different packaging methods. (Bulk, Reel of φ330, Reel of φ380)

## Dimensions in mm (not to scale)

● 3-terminal/Low-profile ..... EVM2G

**No. 1**

Resistance Driver Slot  
width 0.45  
length 1.4  
depth 0.2


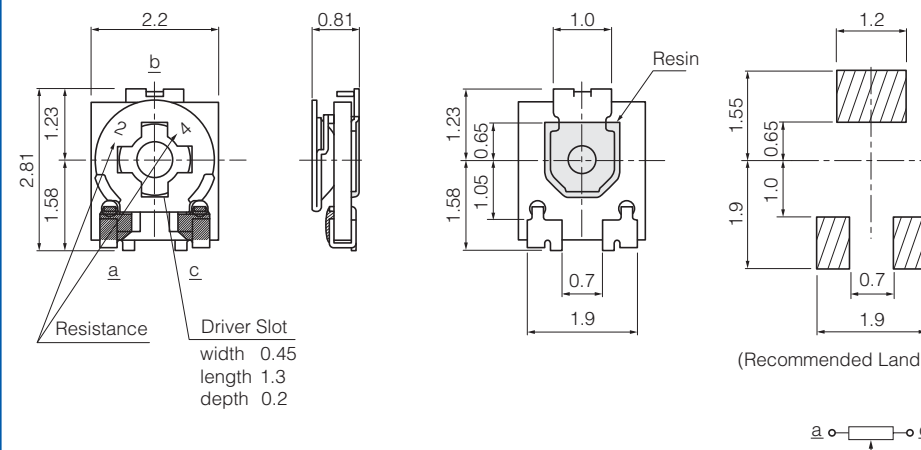
Mass (Weight) : 14 mg/pc.

(Recommended Land Pattern)

(Circuit diagram)

● 3-terminal/Low-profile ..... EVM2N

**No. 2**

Resistance Driver Slot  
width 0.45  
length 1.3  
depth 0.2


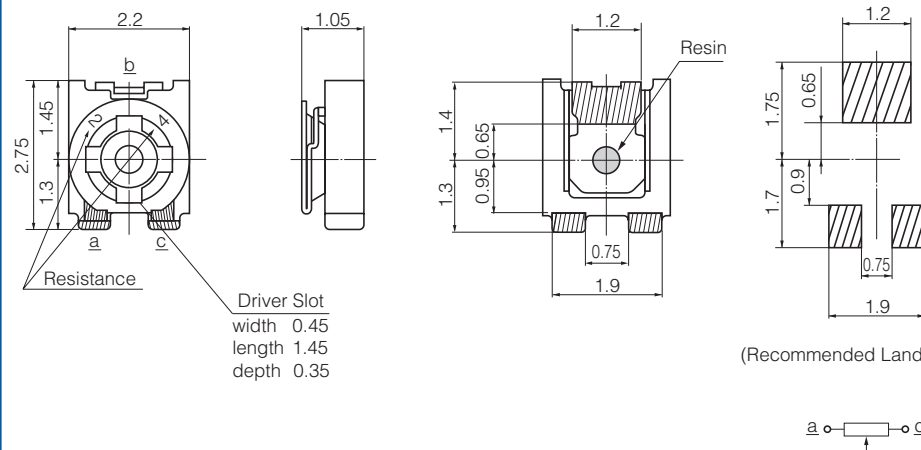
Mass (Weight) : 13 mg/pc.

(Recommended Land Pattern)

(Circuit diagram)

● 3-terminal, for Automatic Trimming Adjustment/Low-profile ..... EVM2W

**No. 3**

Resistance Driver Slot  
width 0.45  
length 1.45  
depth 0.35

Mass (Weight) : 17 mg/pc.

(Recommended Land Pattern)

(Circuit diagram)