



Chipsmall Limited consists of a professional team with an average of over 10 year of expertise in the distribution of electronic components. Based in Hongkong, we have already established firm and mutual-benefit business relationships with customers from,Europe,America and south Asia,supplying obsolete and hard-to-find components to meet their specific needs.

With the principle of “Quality Parts,Customers Priority,Honest Operation,and Considerate Service”,our business mainly focus on the distribution of electronic components. Line cards we deal with include Microchip,ALPS,ROHM,Xilinx,Pulse,ON,Everlight and Freescale. Main products comprise IC,Modules,Potentiometer,IC Socket,Relay,Connector.Our parts cover such applications as commercial,industrial, and automotives areas.

We are looking forward to setting up business relationship with you and hope to provide you with the best service and solution. Let us make a better world for our industry!



Contact us

Tel: +86-755-8981 8866 Fax: +86-755-8427 6832

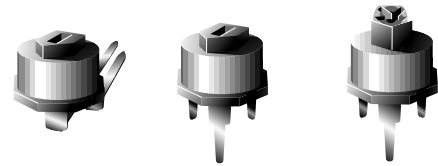
Email & Skype: info@chipsmall.com Web: www.chipsmall.com

Address: A1208, Overseas Decoration Building, #122 Zhenhua RD., Futian, Shenzhen, China



6mm Size Ceramic Trimmer Potentiometers (Cermet)

Type: **EVM** □ □ **G**



■ Features

- Higher performance dustproof type
- Excellent reliability for heat and humidity
- Stable rotation torque for adjustment

■ Recommended Applications

- Audio visual equipment, home electrical appliances

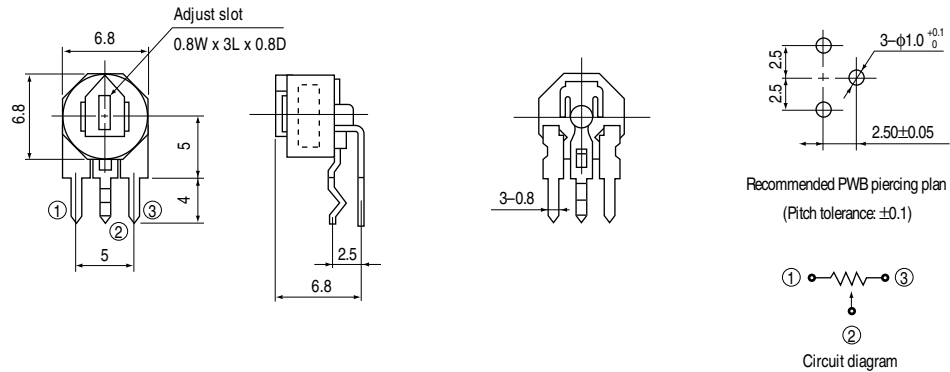
■ Major Specifications

Nominal total resistance	100Ω to 1 MΩ	Max. operating voltage	100V
Resistance tolerance	±25%	Rotation torque	2 to 25 mN · m (20 to 250 gf · cm)
Power rating	0.3W	Stopper strength	30 mN · m (300 gf · cm) min.

■ Dimensions in mm (not to scale)

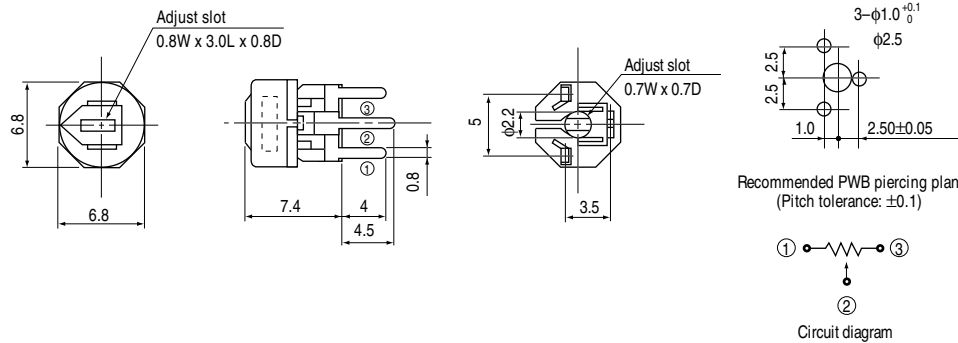
EVM31G

3-Terminal, Side-Adjust,
Both Sides Adjust



EVM38G

3-Terminal, Top-Adjust
Both Sides Adjust



EVM4LG

3-Terminal, Top-Adjust
Both Sides Adjust
Cross Slot Screw Adjust

