



Chipsmall Limited consists of a professional team with an average of over 10 year of expertise in the distribution of electronic components. Based in Hongkong, we have already established firm and mutual-benefit business relationships with customers from,Europe,America and south Asia,supplying obsolete and hard-to-find components to meet their specific needs.

With the principle of “Quality Parts,Customers Priority,Honest Operation,and Considerate Service”,our business mainly focus on the distribution of electronic components. Line cards we deal with include Microchip,ALPS,ROHM,Xilinx,Pulse,ON,Everlight and Freescale. Main products comprise IC,Modules,Potentiometer,IC Socket,Relay,Connector.Our parts cover such applications as commercial,industrial, and automotives areas.

We are looking forward to setting up business relationship with you and hope to provide you with the best service and solution. Let us make a better world for our industry!



Contact us

Tel: +86-755-8981 8866 Fax: +86-755-8427 6832

Email & Skype: info@chipsmall.com Web: www.chipsmall.com

Address: A1208, Overseas Decoration Building, #122 Zhenhua RD., Futian, Shenzhen, China



3 mm Square SMT Trimmer Potentiometers (Cermet, Sealed Type)

Type: **EVM7J**
EVM7L



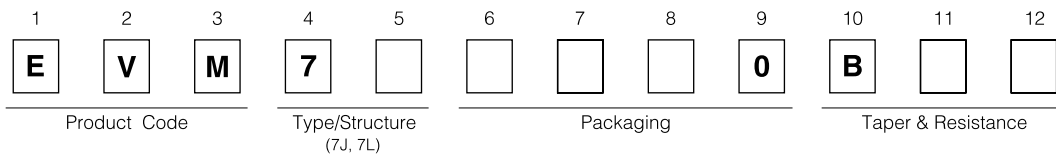
■ Features

- 3 mm square types for flow and reflow soldering
- Cost saving filmless sealed structure
- Automatic adjustment type (EVM7L)
- Approved under the ISO 9001 system
- Conforms to JIS C5261

■ Recommended Applications

- Audio Visual equipment, Office Automation equipment, Communication equipment
- Other general electronic equipment

■ Explanation of Part Numbers



■ Major Specifications

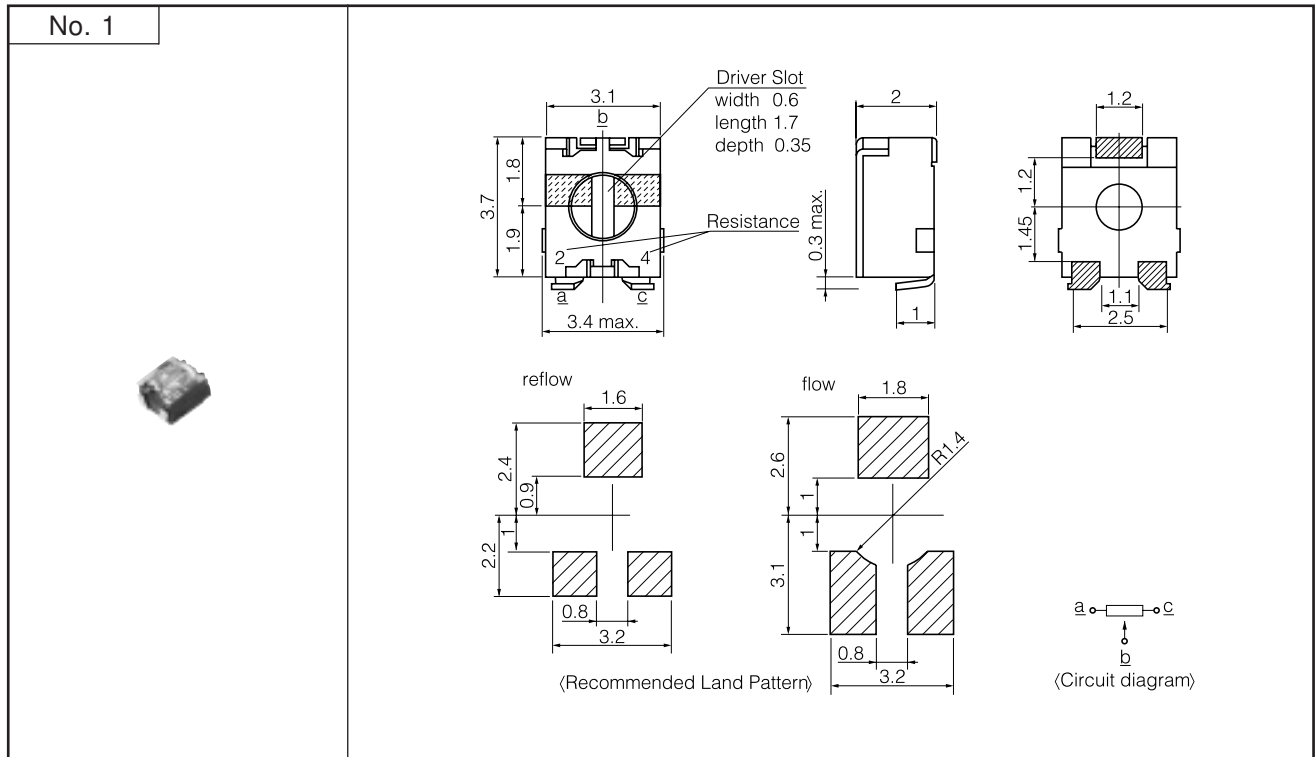
Total Resistance Value	100 Ω to 1 MΩ
Resistance Tolerance	±25 %
Power Rating	0.05 W
Maximum Operating Voltage	15 V
Rotation Torque	1 to 15 mN·m
Temperature Coefficient of Resistance	±250 × 10 ⁻⁶ /°C

■ Minimum Quantity/Packing Unit

Part Number	Taping			Bulk	
	Quantity per reel	Packaging quantity	Dia. of reel (mm)	Quantity per pack	Packaging quantity
EVM7J	1000	4000	φ178	1000	5000
	5000	20000	φ380		
EVM7L	750	3000	φ178		
	4000	16000	φ380		

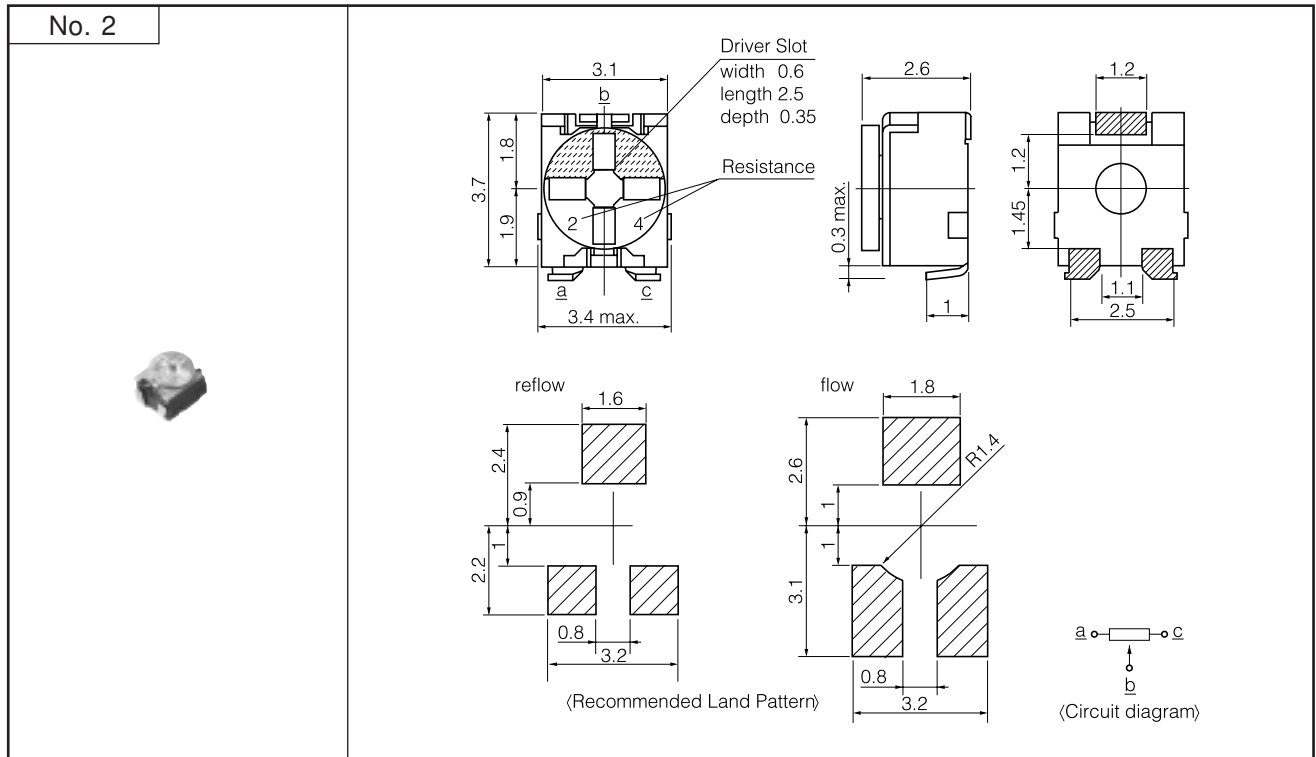
■ Dimensions in mm (not to scale)

● 3-terminal, Filmless Sealed EVM7J



Note: Mounting not possible after trimming knob has been rotated.

● 3-terminal, Filmless Sealed for Automatic Trimming Adjustment EVM7L



Note: Mounting not possible after trimming knob has been rotated.

■ Explanation of Part Numbers

Classification	Type	Symbol
Cermet	2 mm Open	EVM2W(low-profile)
	3 mm Open	EVM3Y, EVM3S EVM3W(low-profile) EVM3V(with rotation stopper)
	4 mm Open	EVM1D, EVM1E EVM1U
	3 mm Sealed	EVM7J, EVM7L
Carbon	3 mm Dustproof	EVN5E(with rotation stopper) EVN5C

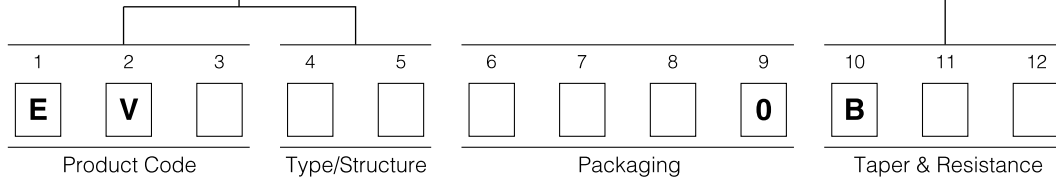
10 th Taper B	11 th Significant Number of resistance	12 th Number of zero
---------------------	--	-------------------------

Example:

Resistance	Symbol
500 Ω	52
47 kΩ	Q4
1 MΩ	16

Note: When significant number is odd, letters are assigned as shown below.

11th	Significant number
C	1.5
E	2.2
Y	3.3
Q	4.7
S	6.8



6th	7th	Packaging
G	A	Cermet Bulk
S	W	Carrier tape
	X	(7th: Direction of insertion. Refer to Packaging Specifications)

8th	Quantity	Refer to "Packaging Specifications" regarding packing quantity for each part number.
0	750	
1	5000	
3	1000	
4	4000	
5	2000	
6	12000	
7	7500	
8	3000	