



Chipsmall Limited consists of a professional team with an average of over 10 year of expertise in the distribution of electronic components. Based in Hongkong, we have already established firm and mutual-benefit business relationships with customers from,Europe,America and south Asia,supplying obsolete and hard-to-find components to meet their specific needs.

With the principle of “Quality Parts,Customers Priority,Honest Operation,and Considerate Service”,our business mainly focus on the distribution of electronic components. Line cards we deal with include Microchip,ALPS,ROHM,Xilinx,Pulse,ON,Everlight and Freescale. Main products comprise IC,Modules,Potentiometer,IC Socket,Relay,Connector.Our parts cover such applications as commercial,industrial, and automotives areas.

We are looking forward to setting up business relationship with you and hope to provide you with the best service and solution. Let us make a better world for our industry!



Contact us

Tel: +86-755-8981 8866 Fax: +86-755-8427 6832

Email & Skype: info@chipsmall.com Web: www.chipsmall.com

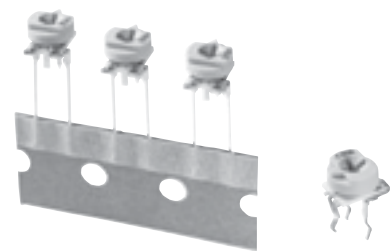
Address: A1208, Overseas Decoration Building, #122 Zhenhua RD., Futian, Shenzhen, China



Discontinued

6 mm Square Dustproof Ceramic Trimmer Potentiometers (Cermet, Radial Taping)

Type: **EVMAAS/EVMAES (Radial Taping)**
EVMAAG/EVMAEG/EVMAHG/EVMAJG/EVMASG (Bulk)



• Planned final production : March.2019

Features

- High reliability due to cermet element
- Excellent automatic insertion due to strong lead terminals
- Available for automatic adjustment due to slot & taper shape suitable for screwdriver
- Dustproof type with electrically activated wiper enclosed in an insulated rotor cap
- Conforms to JIS C5260-1:1999
- RoHS compliant

Recommended Applications

- Audio/visual, office, and communication equipment
- General electronic equipment

Explanation of Part Numbers

1	2	3	4	5	6	7	8	9	10	11	12
E	V	M	A	A	S	A	0	0	B	5	2
Product Code			Type/Structure (AA, AE, AH, AJ, AS)				Taper & Resistance Example : B52=500 Ω				

Symbol	Packaging
SA00	Radial taping height 20 mm
SA01	Radial taping height 21 mm
GA00	Bulk Standard

Specifications

	EVMAA□/EVMAHG/EVMAJG/EVMASG	EVMAE□ (Low Resistor Value)
Total Resistance Value	100 Ω to 1 MΩ	10 Ω to 500 Ω
Resistance Tolerance	±25 %	
Power Rating	0.3 W	0.5 W
Limiting Element Voltage	100 V	$\sqrt{P \cdot R}$
Rotation Torque	2 to 30 mN·m	
Stopper Strength	50 mN·m min.	
Temperature Coefficient of Resistance	$\pm 200 \times 10^{-6}/^{\circ}\text{C}$	· $10 \Omega \leq R \leq 20 \Omega$ $\pm 200 \times 10^{-6}/^{\circ}\text{C}$ · $20 \Omega < R \leq 200 \Omega$ $\pm 150 \times 10^{-6}/^{\circ}\text{C}$ · $200 \Omega < R \leq 500 \Omega$ $\pm 100 \times 10^{-6}/^{\circ}\text{C}$

Minimum Quantity/Packing Unit

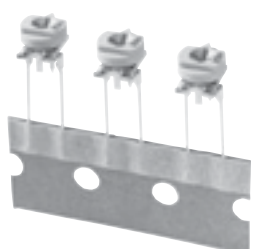
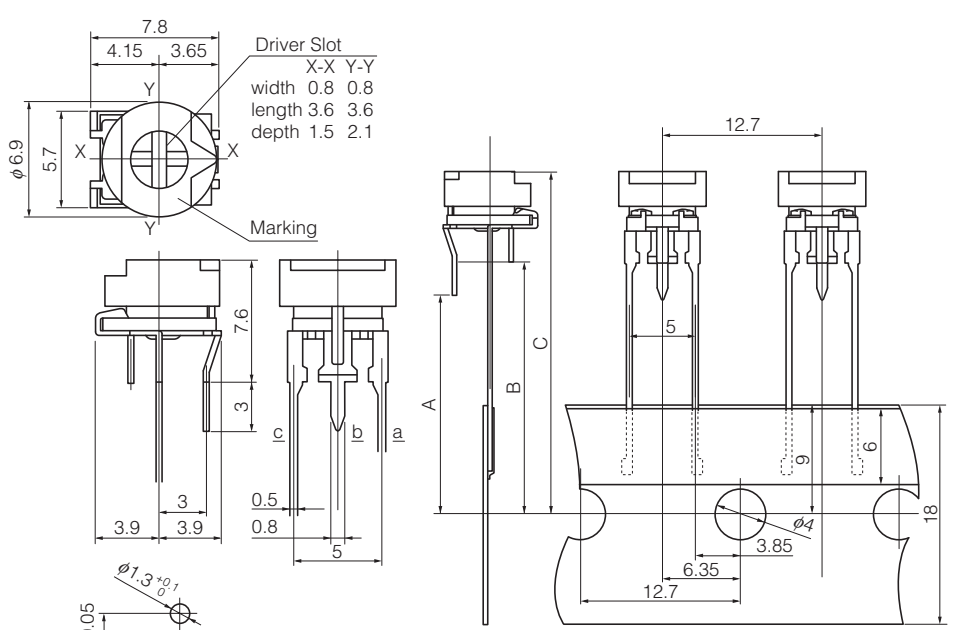
Part Number	Radial taping		Bulk	
	Quantity per Box	Packaging quantity	Quantity per pack	Packaging quantity
EVMAAS EVMAES	1,000	10,000	—	—
EVMAAG EVMAHG EVMAJG EVMASG	—	—	200	2,000
EVMAEG	—	—	600	3,000

Dimensions in mm (not to scale)

- Radial taping

- 3-terminal, Top-adjust, Cross Slots EVMAAS/EVMAES

No. 1

Driver Slot
X-X Y-Y
width 0.8 0.8
length 3.6 3.6
depth 1.5 2.1

Marking

(Recommended PWB Piercing Plan)

(Circuit diagram)


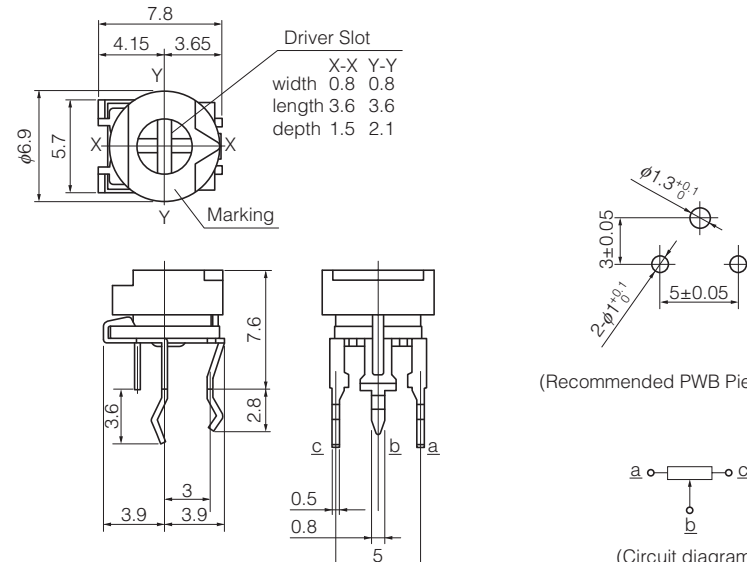
	A	B	C
A00	17	20	27.6
A01	18	21	28.6

Mass (Weight) : 420 mg/pc.

- Bulk

- 3-terminal, Top-adjust, Cross Slots EVMAAG/EVMAEG

No. 2

Driver Slot
X-X Y-Y
width 0.8 0.8
length 3.6 3.6
depth 1.5 2.1

Marking

(Recommended PWB Piercing Plan)

(Circuit diagram)


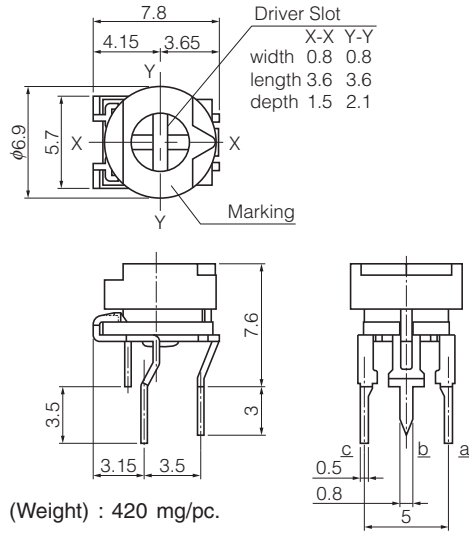
Mass (Weight) : 420 mg/pc.

Dimensions in mm (not to scale)

- Bulk

- 3-terminal, Top-adjust, Cross Slots EVMAHG

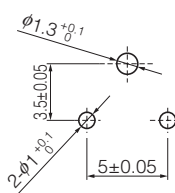
No. 3

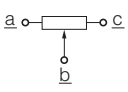
Driver Slot
 X-X Y-Y
 width 0.8 0.8
 length 3.6 3.6
 depth 1.5 2.1

Marking

(Recommended PWB Piercing Plan)




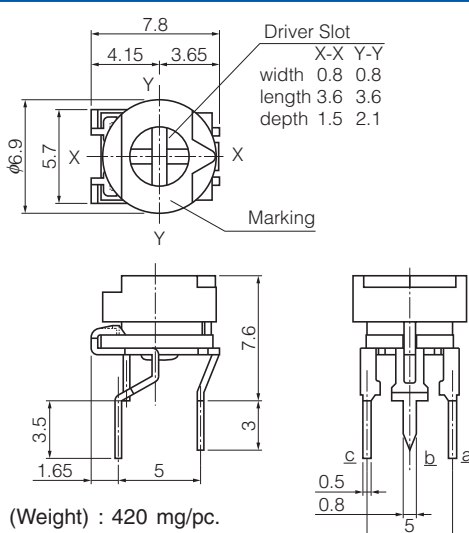
(Circuit diagram)



Mass (Weight) : 420 mg/pc.

- 3-terminal, Top-adjust, Cross Slots EVMAJG

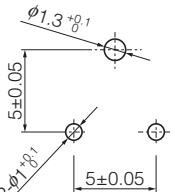
No. 4

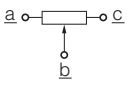
Driver Slot
 X-X Y-Y
 width 0.8 0.8
 length 3.6 3.6
 depth 1.5 2.1

Marking

(Recommended PWB Piercing Plan)




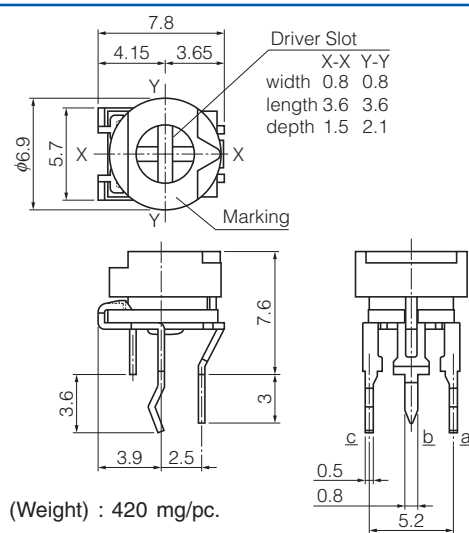
(Circuit diagram)



Mass (Weight) : 420 mg/pc.

- 3-terminal, Top-adjust, Cross Slots EVMASG

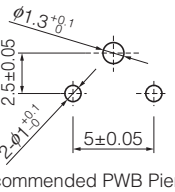
No. 5

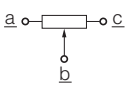
Driver Slot
 X-X Y-Y
 width 0.8 0.8
 length 3.6 3.6
 depth 1.5 2.1

Marking

(Recommended PWB Piercing Plan)



(Circuit diagram)



Mass (Weight) : 420 mg/pc.