



Chipsmall Limited consists of a professional team with an average of over 10 year of expertise in the distribution of electronic components. Based in Hongkong, we have already established firm and mutual-benefit business relationships with customers from,Europe,America and south Asia,supplying obsolete and hard-to-find components to meet their specific needs.

With the principle of “Quality Parts,Customers Priority,Honest Operation,and Considerate Service”,our business mainly focus on the distribution of electronic components. Line cards we deal with include Microchip,ALPS,ROHM,Xilinx,Pulse,ON,Everlight and Freescale. Main products comprise IC,Modules,Potentiometer,IC Socket,Relay,Connector.Our parts cover such applications as commercial,industrial, and automotives areas.

We are looking forward to setting up business relationship with you and hope to provide you with the best service and solution. Let us make a better world for our industry!



Contact us

Tel: +86-755-8981 8866 Fax: +86-755-8427 6832

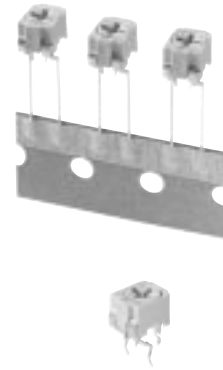
Email & Skype: info@chipsmall.com Web: www.chipsmall.com

Address: A1208, Overseas Decoration Building, #122 Zhenhua RD., Futian, Shenzhen, China



6 mm Square Dustproof Ceramic Trimmer Potentiometers
(Cermet, Radial Taping, with Knob Protection)

Discontinued



Type: **EVMEAS/EVMEES**
(Radial Taping)
EVMEAG/EVMEEG
(Bulk)

Alternative products
 EVMEASA00B** → EVMAASA00B**
 EVMEAGA00B** → EVMAAGA00B**
 EVMEESA00B** → EVMAESA00B**
 EVMEEGA00B* → EVMAEGA00B**

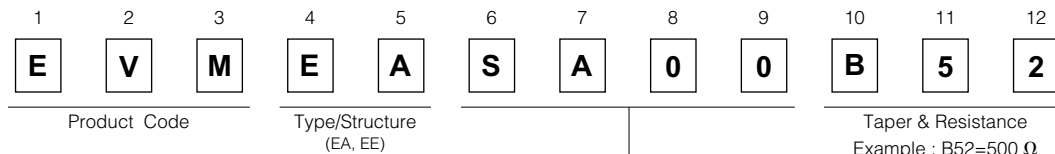
■ Features

- High reliability due to cermet element
- No readjustment needed through knob protected structure
- Excellent mounting efficiency due to cubic shape
- Automated adjustment available
 Face side: Standard cross slot screwdriver suited to automatic adjustment applicable
 Back side: Penetrated slot for easy driving
- Conforms to JIS C5260-1:1999

■ Recommended Applications

- Audio/visual, office, and communication equipment
- General electronic equipment

■ Explanation of Part Numbers



Symbol	Packaging
SA00	Radial taping height 20 mm
SA01	Radial taping height 21 mm
GA00	Bulk Standard

*For part number details, refer to page ER129.

■ Specifications

	EVMEAS□	EVMEE□ (Low Resistor Value)
Total Resistance Value	100 Ω to 1 MΩ	10 Ω to 500 Ω
Resistance Tolerance	±25 %	
Power Rating	0.3 W	0.5 W
Limiting Element Voltage (Maximum RCWV)	100 V	$\sqrt{P \cdot R}$
Rotation Torque	2 to 30 mN·m	
Stopper Strength	50 mN·m min.	
Temperature Coefficient of Resistance	$\pm 200 \times 10^{-6}/^{\circ}\text{C}$ (ppm/°C)	· $10 \Omega \leq R \leq 20 \Omega$ $\pm 200 \times 10^{-6}/^{\circ}\text{C}$ (ppm/°C) · $20 \Omega < R \leq 200 \Omega$ $\pm 150 \times 10^{-6}/^{\circ}\text{C}$ (ppm/°C) · $200 \Omega < R \leq 500 \Omega$ $\pm 100 \times 10^{-6}/^{\circ}\text{C}$ (ppm/°C)

■ Minimum Quantity/Packing Unit

Part Number	Radial taping		Bulk	
	Quantity per Box	Packaging quantity	Quantity per pack	Packaging quantity
EVMEAS EVMEES	1000	10000	—	—
EVMEAG	—	—	200	2000
EVMEEG	—	—	1000	3000

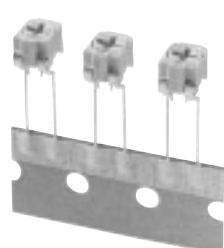
Discontinued

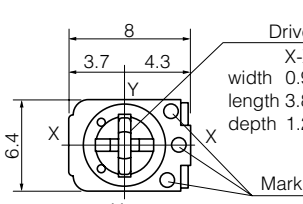
■ Dimensions in mm (not to scale)

● Radial tapering

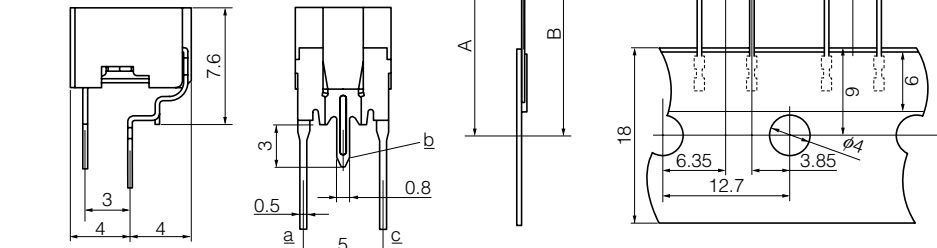
● 3-terminal, Top-adjust, Cross/Ordinary Slots..... EVMEAS/EVMEES

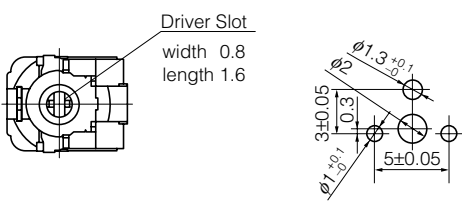
No. 1





Driver Slot
X-X Y-Y
width 0.9 0.9
length 3.8 4.2
depth 1.2 1.7

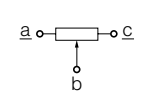




Driver Slot
width 0.8
length 1.6

(Recommended PWB Piercing Plan)

	A	B	C
A00	17	20	27.6
A01	18	21	28.6




(Circuit diagram)

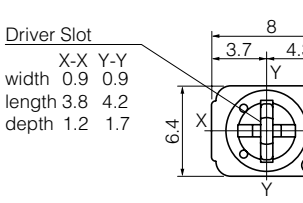
Mass (Weight) : 590 mg/pc.

● Bulk

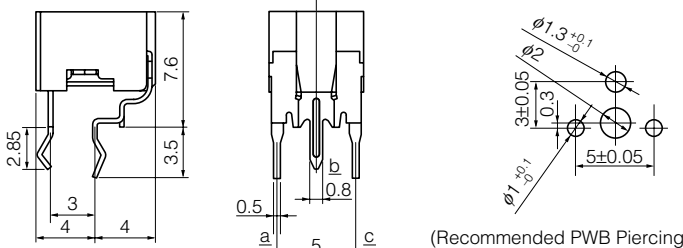
● 3-terminal, Top-adjust, Cross/Ordinary Slots..... EVMEAG/EVMEEG

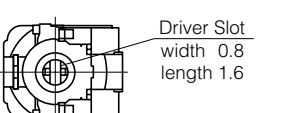
No. 2





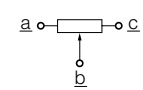
Driver Slot
X-X Y-Y
width 0.9 0.9
length 3.8 4.2
depth 1.2 1.7





Driver Slot
width 0.8
length 1.6

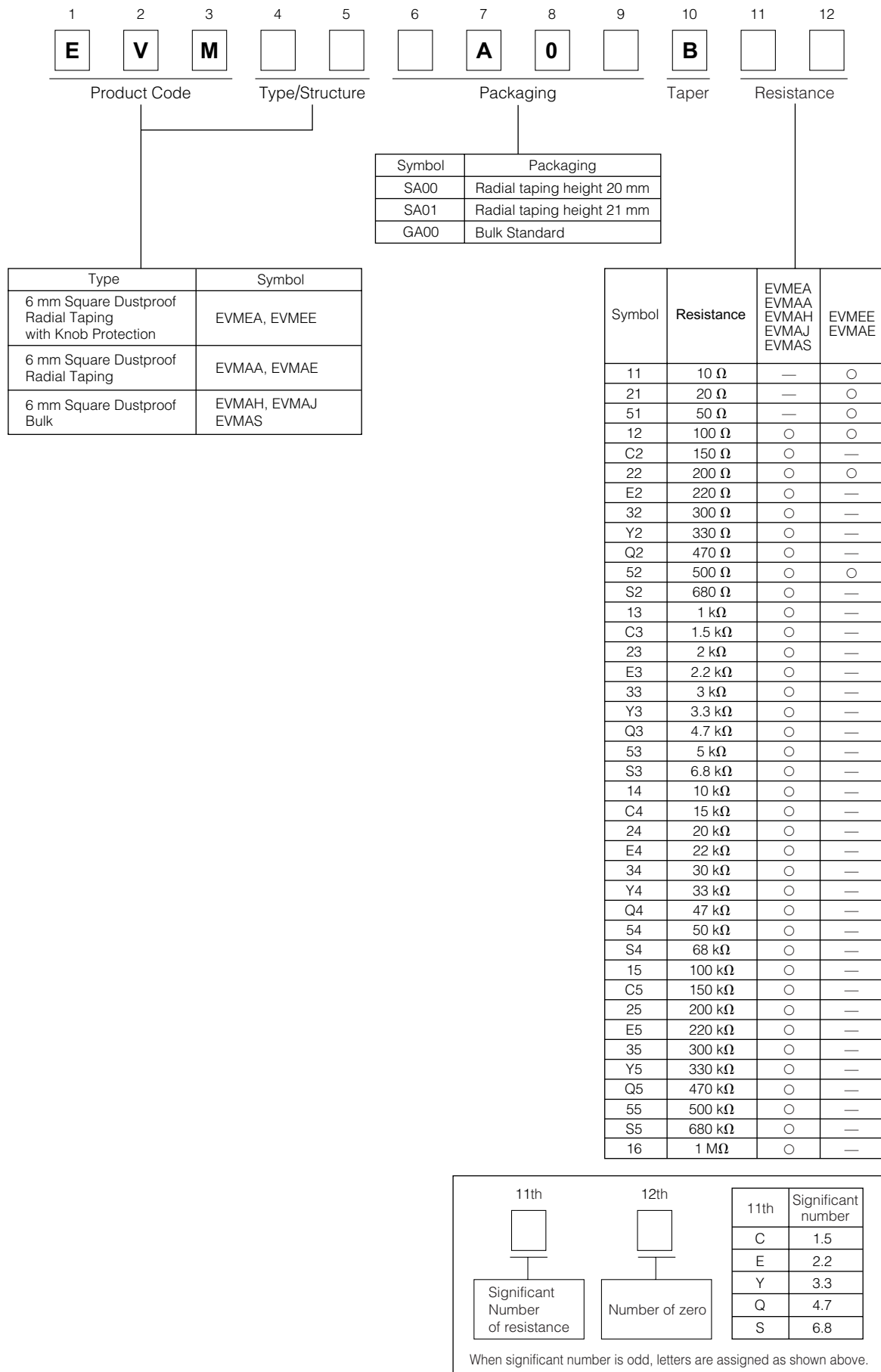
(Recommended PWB Piercing Plan)



(Circuit diagram)

Mass (Weight) : 590 mg/pc.

■ Explanation of Part Numbers



Alternative products

【3mm Square SMT Trimmer Potentiometers】

Production discontinuance Parts No.	Type
EVN5ESX50B**	Carbon 3mm Square Dustproof (with the rotation stopper)
EVN5CSX50B**	Carbon 3mm Square Dustproof



Recommended substitution Parts No.	Type
EVM3VSX50B**	Cermet 3mm Square Open (with the rotation stopper)
EVM3YSX50B**	Cermet 3mm Square Open

【6mm Square Dustproof Ceramic Trimmer Potentiometers】

Production discontinuance Parts No.	Type
EVMEASA00B**	Cermet 6mm Square Dustproof (Radial taping, with Knob Protection)
EVMEAGA00B**	Cermet 6mm Square Dustproof (Bulk, with Knob Protection)
EVMEESA00B**	Cermet 6mm Square Dustproof (Radial taping, with Knob Protection)
EVMEEGA00B**	Cermet 6mm Square Dustproof (Bulk, with Knob Protection)



Recommended substitution Parts No.	Type
EVMAASA00B**	Cermet 6mm Square Dustproof (Radial taping)
EVMAAGA00B**	Cermet 6mm Square Dustproof (Bulk)
EVMAESA00B**	Cermet 6mm Square Dustproof (Radial taping)
EVMAEGA00B**	Cermet 6mm Square Dustproof (Bulk)