



Chipsmall Limited consists of a professional team with an average of over 10 year of expertise in the distribution of electronic components. Based in Hongkong, we have already established firm and mutual-benefit business relationships with customers from,Europe,America and south Asia,supplying obsolete and hard-to-find components to meet their specific needs.

With the principle of “Quality Parts,Customers Priority,Honest Operation,and Considerate Service”,our business mainly focus on the distribution of electronic components. Line cards we deal with include Microchip,ALPS,ROHM,Xilinx,Pulse,ON,Everlight and Freescale. Main products comprise IC,Modules,Potentiometer,IC Socket,Relay,Connector.Our parts cover such applications as commercial,industrial, and automotives areas.

We are looking forward to setting up business relationship with you and hope to provide you with the best service and solution. Let us make a better world for our industry!



## Contact us

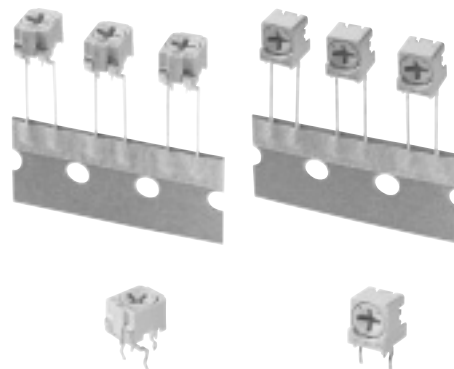
Tel: +86-755-8981 8866 Fax: +86-755-8427 6832

Email & Skype: info@chipsmall.com Web: www.chipsmall.com

Address: A1208, Overseas Decoration Building, #122 Zhenhua RD., Futian, Shenzhen, China



6 mm Square Dustproof Ceramic Trimmer Potentiometers  
(Cermet, Radial Taping, with Knob Protection)



Type: **EVMEAS/EVMEGS/EVMEES**  
**(Radial Taping)**  
**EVMEAG/EVMEGG/EVMEEG**  
**(Bulk)**

### ■ Features

- High reliability due to cermet element
- No readjustment needed through knob protected structure
- Excellent mounting efficiency due to cubic shape
- Automated adjustment available  
Face side: Standard cross slot screwdriver suited to automatic adjustment applicable  
Back side: Penetrated slot for easy driving
- Conforms to JIS C5260-1:1999

### ■ Recommended Applications

- Audio/visual, office, and communication equipment
- General electronic equipment

### ■ Explanation of Part Numbers

1	2	3	4	5	6	7	8	9	10	11	12
<b>E</b>	<b>V</b>	<b>M</b>	<b>E</b>	<b>A</b>	<b>S</b>	<b>A</b>	<b>0</b>	<b>0</b>	<b>B</b>	<b>5</b>	<b>2</b>
Product Code			Type/Structure (EA, EG, EE)						Taper & Resistance Example : B52=500 Ω		
					Symbol		Packaging				
					SA00		Radial taping height 20 mm				
					SA01		Radial taping height 21 mm				
					GA00		Bulk Standard				

\*For part number details, refer to page ER151.

### ■ Specifications

	EVME□/EVMEG□	EVMEE□ (Low Resistor Value)
Total Resistance Value	100 Ω to 1 MΩ	10 Ω to 500 Ω
Resistance Tolerance	±25 %	
Power Rating	0.3 W	0.5 W
Maximum Operating Voltage	100 V	$\sqrt{P \cdot R}$
Rotation Torque	2 to 30 mN·m	
Stopper Strength	50 mN·m min.	
Temperature Coefficient of Resistance	$\pm 200 \times 10^{-6}/^{\circ}\text{C}$	<ul style="list-style-type: none"> <li>· <math>10 \Omega \leq R \leq 20 \Omega</math> ..... <math>\pm 200 \times 10^{-6}/^{\circ}\text{C}</math></li> <li>· <math>20 \Omega &lt; R \leq 200 \Omega</math> ..... <math>\pm 150 \times 10^{-6}/^{\circ}\text{C}</math></li> <li>· <math>200 \Omega &lt; R \leq 500 \Omega</math> ..... <math>\pm 100 \times 10^{-6}/^{\circ}\text{C}</math></li> </ul>

### ■ Minimum Quantity/Packing Unit

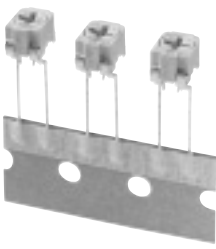
Part Number	Radial taping		Bulk	
	Quantity per Box	Packaging quantity	Quantity per pack	Packaging quantity
EVMEAS EVMEGS EVMEES	1000	10000	—	—
EVMEAG EVMEGG	—	—	200	2000
EVMEEG	—	—	1000	3000

■ Dimensions in mm (not to scale)

● Radial tapering

● 3-terminal, Top-adjust, Cross/Ordinary Slots ..... EVMEAS/EVMEES

**No. 1**

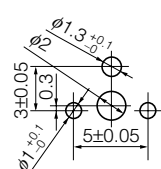


Driver Slot  
X-X Y-Y  
width 0.9 0.9  
length 3.8 4.2  
depth 1.2 1.7

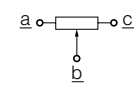
Marking

Driver Slot  
width 0.8  
length 1.6

Recommended PWB Piercing Plan



	A	B	C
A00	17	20	27.6
A01	18	21	28.6

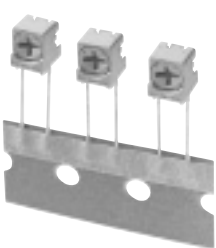


(Circuit diagram)

Mass (Weight) : 590 mg/pc.

● 3-terminal, Side-adjust, Cross/Ordinary Slots ..... EVMEGS

**No. 2**

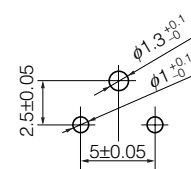


Driver Slot  
Y-Y X-X  
width 0.9 0.9  
length 3.8 4.2  
depth 1.2 1.7

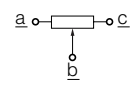
Marking

Driver Slot  
width 0.8  
length 1.6

Recommended PWB Piercing Plan



	A	B	C
A00	17	20	28.2
A01	18	21	29.2



(Circuit diagram)


Mass (Weight) : 570 mg/pc.

■ Dimensions in mm (not to scale)

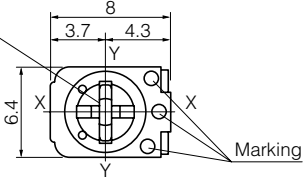
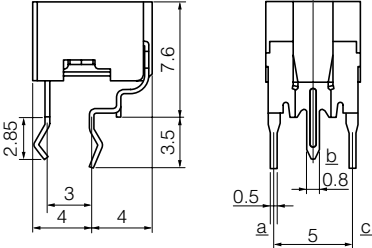
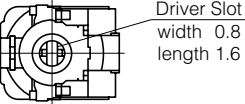
● Bulk

● 3-terminal, Top-adjust, Cross/Ordinary Slots ..... EVMEAG/EVMEEG

**No. 3**

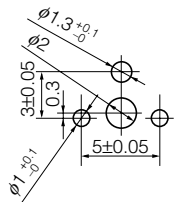


Driver Slot  
 X-X Y-Y  
 width 0.9 0.9  
 length 3.8 4.2  
 depth 1.2 1.7

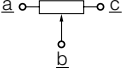




Marking

Driver Slot  
 width 0.8  
 length 1.6



(Recommended PWB Piercing Plan)




(Circuit diagram)

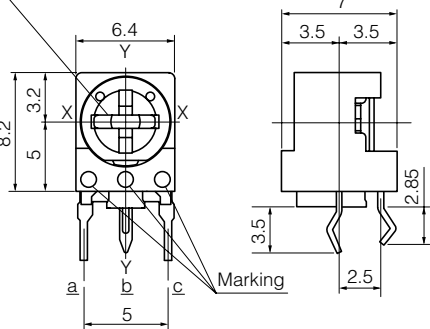
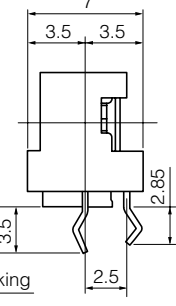
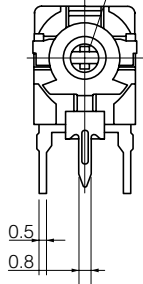
Mass (Weight) : 590 mg/pc.

● 3-terminal, Side-adjust, Cross/Ordinary Slots ..... EVMEGG

**No. 4**

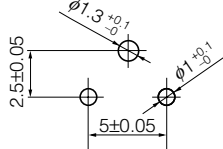


Driver Slot  
 Y-Y X-X  
 width 0.9 0.9  
 length 3.8 4.2  
 depth 1.2 1.7

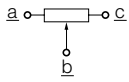




Marking

Driver Slot  
 width 0.8  
 length 1.6



(Recommended PWB Piercing Plan)



(Circuit diagram)

Mass (Weight) : 570 mg/pc.

### ■ Explanation of Part Numbers

