



Chipsmall Limited consists of a professional team with an average of over 10 year of expertise in the distribution of electronic components. Based in Hongkong, we have already established firm and mutual-benefit business relationships with customers from,Europe,America and south Asia,supplying obsolete and hard-to-find components to meet their specific needs.

With the principle of “Quality Parts,Customers Priority,Honest Operation,and Considerate Service”,our business mainly focus on the distribution of electronic components. Line cards we deal with include Microchip,ALPS,ROHM,Xilinx,Pulse,ON,Everlight and Freescale. Main products comprise IC,Modules,Potentiometer,IC Socket,Relay,Connector.Our parts cover such applications as commercial,industrial, and automotives areas.

We are looking forward to setting up business relationship with you and hope to provide you with the best service and solution. Let us make a better world for our industry!



Contact us

Tel: +86-755-8981 8866 Fax: +86-755-8427 6832

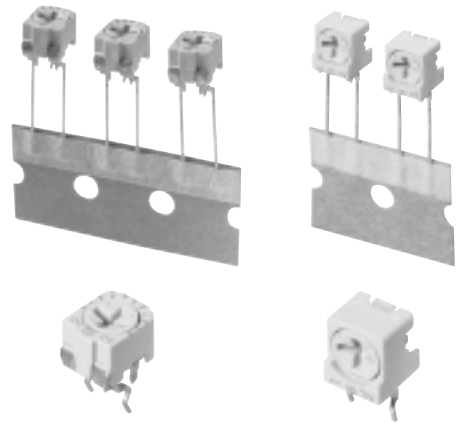
Email & Skype: info@chipsmall.com Web: www.chipsmall.com

Address: A1208, Overseas Decoration Building, #122 Zhenhua RD., Futian, Shenzhen, China



6 mm Square Dustproof Ceramic Trimmer Potentiometers
(Cermet, Radial Taping, with Knob Protection)

Type: **EVMEYS/EVMEVS**
(High-Reliability Type, Radial Taping)
EVMEYG/EVMEVG
(High-Reliability Type, Bulk)



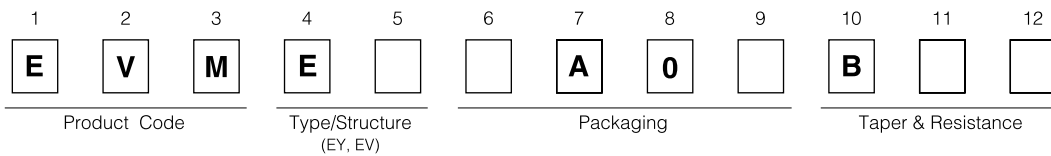
■ Features

- No readjustment needed through Rotor protected Structure for careless slip
- Excellent mounting efficiency due to cubic shape suited to automatic pick-and-place assembly equipment
- Power Rating: 0.5 W max.
- Temperature Coefficient of Resistance: within $\pm 100 \times 10^{-6}/^{\circ}\text{C}$
- Conforming to JIS C5261

■ Recommended Applications

- Audio visual equipment, Office Automation equipment, Communication equipment
- Other general electronic equipments

■ Explanation of Part Numbers



*For the details of Part Number, refer to page EV21.

■ Major Specifications

Total Resistance Value	1 k Ω to 2 M Ω
Resistance Tolerance	$\pm 20\%$
Power Rating	70 $^{\circ}\text{C}$... 0.5 W (125 $^{\circ}\text{C}$... 0 %)
Maximum Operating Voltage	200 V
Rotation Torque	2 to 30 mN · m
Stopper Strength	50 mN · m nim.
Temperature Coefficient of Resistance	$\pm 100 \times 10^{-6}/^{\circ}\text{C}$

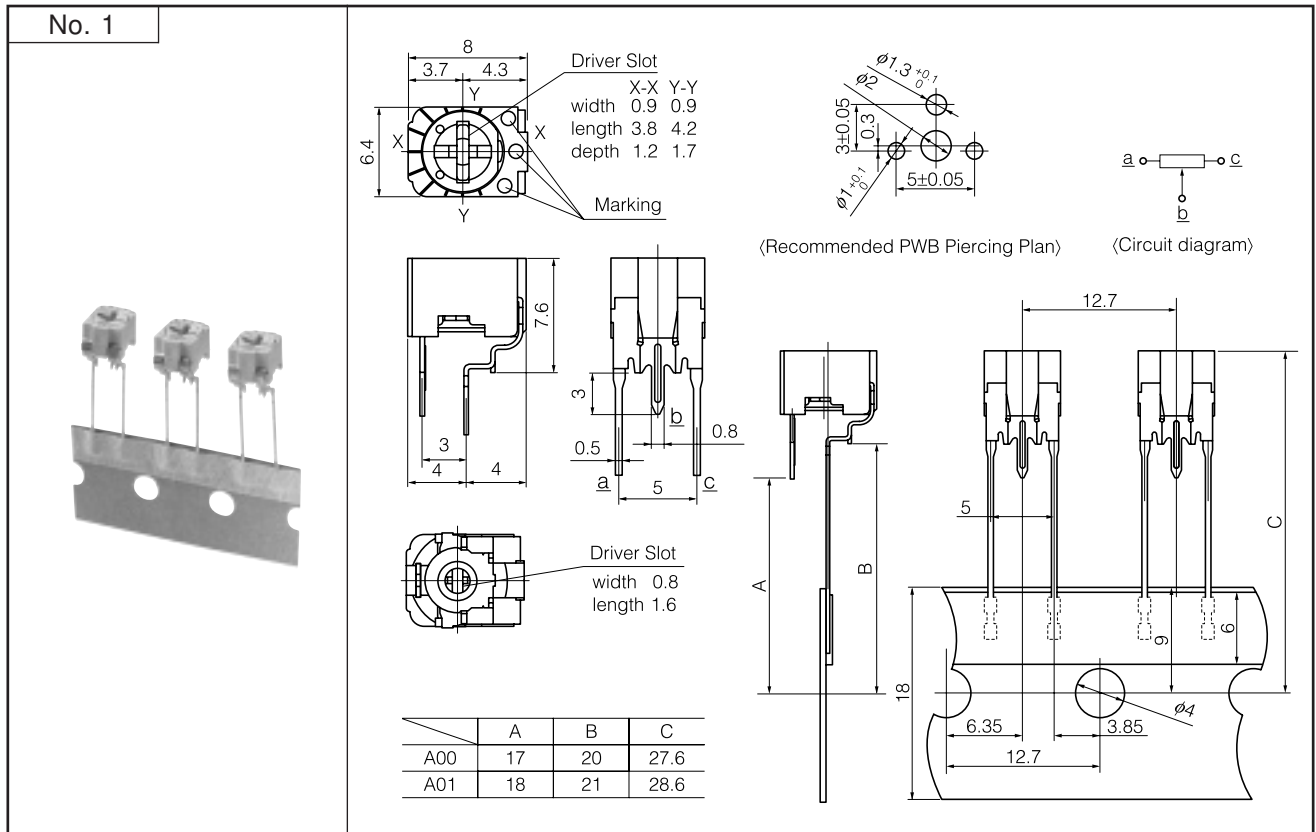
■ Minimum Quantity/Packing Unit

Part Number	Radial taping		Bulk	
	Quantity per Box	Packaging quantity	Quantity per pack	Packaging quantity
EVMEYS EVMEVS	1000	10000	—	—
EVMEYG EVMEVG	—	—	200	2000

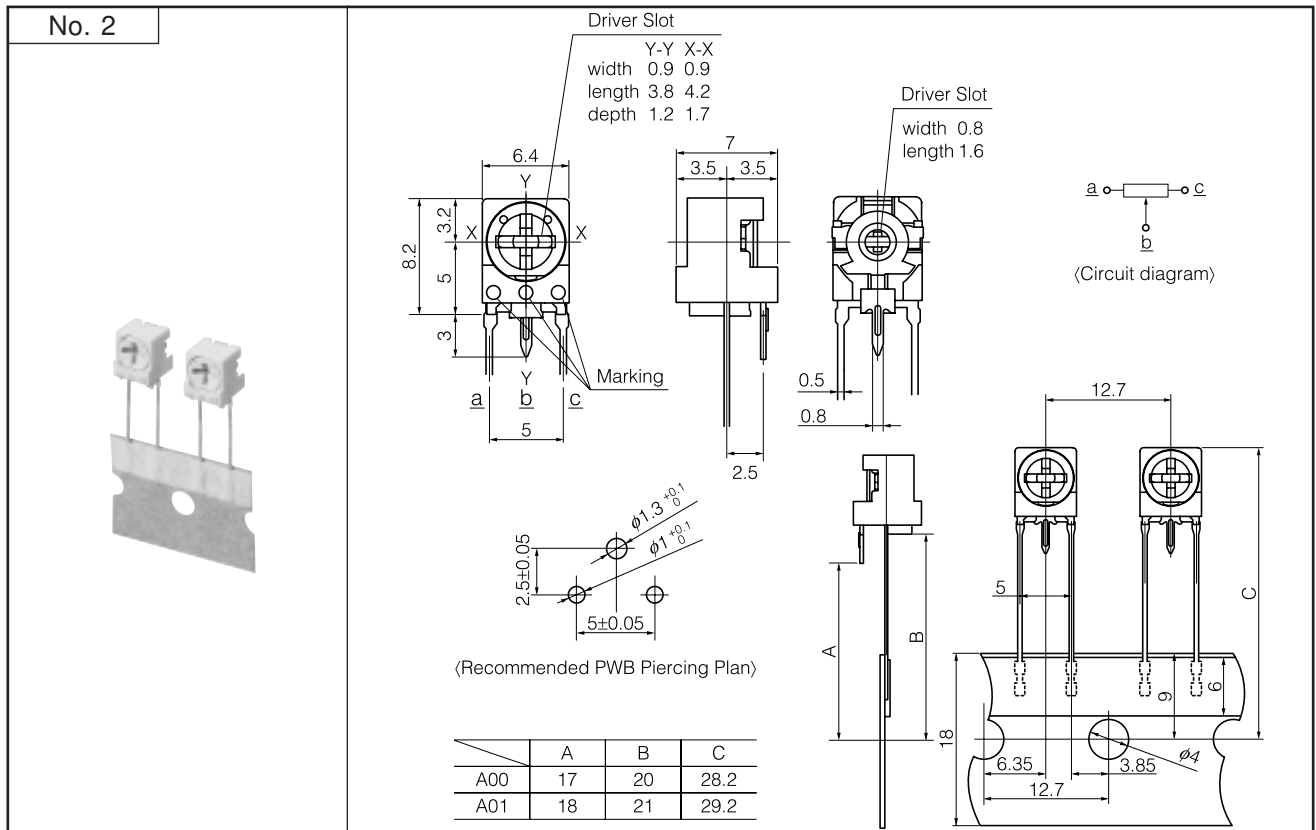
■ Dimensions in mm (not to scale)

● Radial tapering

● 3-terminal, Top-adjust, Closs/Ordinary Slots EVMEYS



● 3-terminal, Side-adjust, Closs/Ordinary Slots EVMEYS




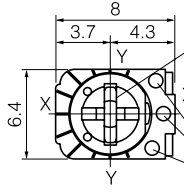
■ Dimensions in mm (not to scale)

● Bulk

● 3-terminal, Top-adjust, Closs/Ordinary Slots EVMEYG

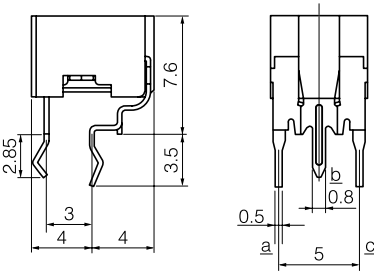
No. 3

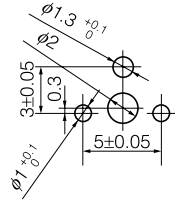




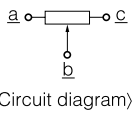
Driver Slot
 X-X Y-Y
 width 0.9 0.9
 length 3.8 4.2
 depth 1.2 1.7

Marking

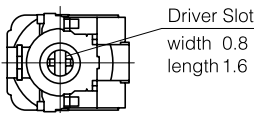




(Recommended PWB Piercing Plan)




(Circuit diagram)

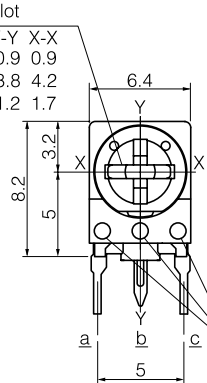


Driver Slot
 width 0.8
 length 1.6

● 3-terminal, Side-adjust, Closs/Ordinary Slots EVMEVG

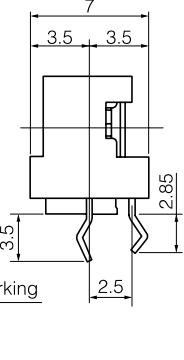
No. 4

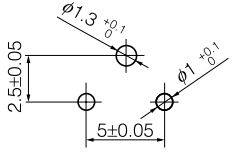




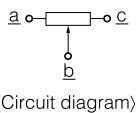
Driver Slot
 Y-Y X-X
 width 0.9 0.9
 length 3.8 4.2
 depth 1.2 1.7

Marking

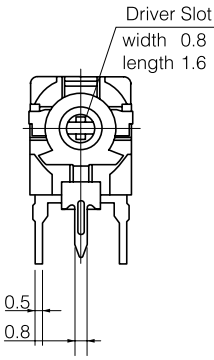




(Recommended PWB Piercing Plan)



(Circuit diagram)



Driver Slot
 width 0.8
 length 1.6

■ Explanation of Part Numbers

Type	Symbol
6 mm Square Dustproof Radial Taping with Knob Protection	EVMEA, EVMEG EVMEE, EVMEY, EVMEV
6 mm Square Dustproof Radial Taping	EVMAA, EVMAE
6 mm Square Dustproof Bulk	EVM49, EVM4L
5 mm Square Dustproof Bulk	EVM2A
4 mm Square Dustproof Bulk	EVML1, EVML4

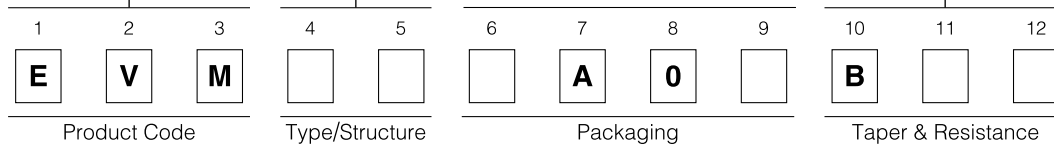
10 th Taper B	11 th Significant Number of resistance	12 th Number of zero
---------------------	--	-------------------------

Example:

Resistance	Symbol
500 Ω	52
47 kΩ	Q4
1 MΩ	16

Note: When significant number is odd, letters are assigned as shown below.

11th	Significant number
C	1.5
E	2.2
Y	3.3
Q	4.7
S	6.8



Symbol	Packaging
GA00	Bulk Standard
SA00	Radial taping height 20 mm
SA01	Radial taping height 21 mm