



Chipsmall Limited consists of a professional team with an average of over 10 year of expertise in the distribution of electronic components. Based in Hongkong, we have already established firm and mutual-benefit business relationships with customers from,Europe,America and south Asia,supplying obsolete and hard-to-find components to meet their specific needs.

With the principle of “Quality Parts,Customers Priority,Honest Operation,and Considerate Service”,our business mainly focus on the distribution of electronic components. Line cards we deal with include Microchip,ALPS,ROHM,Xilinx,Pulse,ON,Everlight and Freescale. Main products comprise IC,Modules,Potentiometer,IC Socket,Relay,Connector.Our parts cover such applications as commercial,industrial, and automotives areas.

We are looking forward to setting up business relationship with you and hope to provide you with the best service and solution. Let us make a better world for our industry!



## Contact us

Tel: +86-755-8981 8866 Fax: +86-755-8427 6832

Email & Skype: info@chipsmall.com Web: www.chipsmall.com

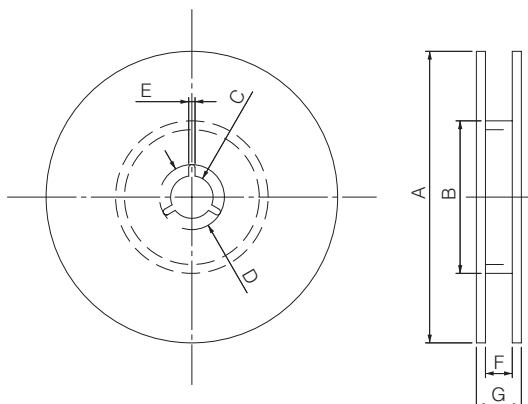
Address: A1208, Overseas Decoration Building, #122 Zhenhua RD., Futian, Shenzhen, China



### Common Specifications

#### Standard Reel Dimensions in mm(not to scale)

● REEL Material: PLASTIC



● For Width 8mm

Item	A	B	C	D	E
Rate (mm)	$\phi 380.0 \pm 2.0$	$\phi 80.0 \pm 1.0$	$\phi 13.0 \pm 0.2$	$\phi 21.0 \pm 0.8$	$2.0 \pm 0.5$

Item	F	G
Rate (mm)	$9.4 \pm 1.0$	$13.4 \pm 1.0$

● For Width 12mm

Item	A	B	C	D	E
Rate (mm)	$\phi 380.0 \pm 2.0$	$\phi 80.0 \pm 1.0$	$\phi 13.0 \pm 0.2$	$\phi 21.0 \pm 0.8$	$2.0 \pm 0.5$

Item	F	G
Rate (mm)	$13.4 \pm 1.0$	$17.4 \pm 1.0$

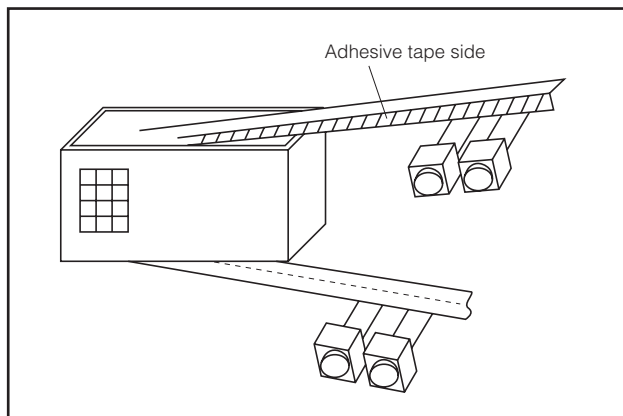
● For Width 16mm

Item	A	B	C	D	E
Rate (mm)	$\phi 380.0 \pm 2.0$	$\phi 80.0 \pm 1.0$	$\phi 13.0 \pm 0.2$	$\phi 21.0 \pm 0.8$	$2.0 \pm 0.5$

Item	F	G
Rate (mm)	$17.4 \pm 1.0$	$21.4 \pm 1.0$

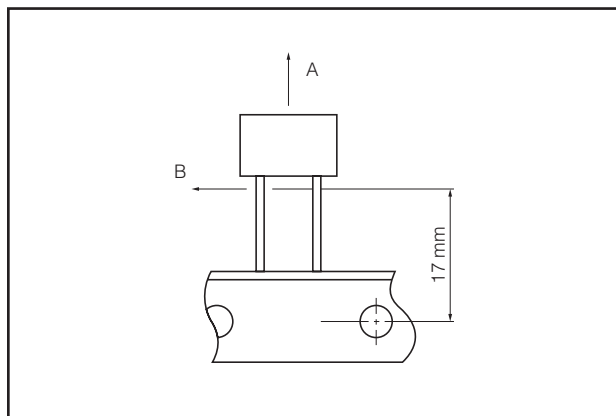
#### Packaging Methods for Radial Taping

● Drawing-out of taped products



Drawing-out can be done from top or bottom of an inner carton.

● Pull-strength of taped products



- Taped products shall not be fully drawn-out from the tape when pulling in direction A at 5.0 N max.
- Taped products shall not be drawn-out from the tape when pulling in direction B at 1.0N for 3 seconds.