



Chipsmall Limited consists of a professional team with an average of over 10 year of expertise in the distribution of electronic components. Based in Hongkong, we have already established firm and mutual-benefit business relationships with customers from,Europe,America and south Asia,supplying obsolete and hard-to-find components to meet their specific needs.

With the principle of "Quality Parts,Customers Priority,Honest Operation,and Considerate Service",our business mainly focus on the distribution of electronic components. Line cards we deal with include Microchip,ALPS,ROHM,Xilinx,Pulse,ON,Everlight and Freescale. Main products comprise IC,Modules,Potentiometer,IC Socket,Relay,Connector.Our parts cover such applications as commercial,industrial, and automotives areas.

We are looking forward to setting up business relationship with you and hope to provide you with the best service and solution. Let us make a better world for our industry!



Contact us

Tel: +86-755-8981 8866 Fax: +86-755-8427 6832

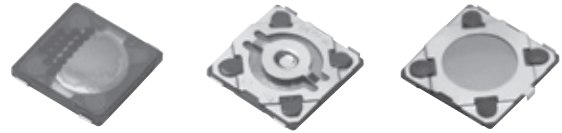
Email & Skype: info@chipsmall.com Web: www.chipsmall.com

Address: A1208, Overseas Decoration Building, #122 Zhenhua RD., Futian, Shenzhen, China



4 mm Square SMD Light Touch Switches

Type: **EVQP6/EVQ6P6/EVQ7P6/EVQ9P6**



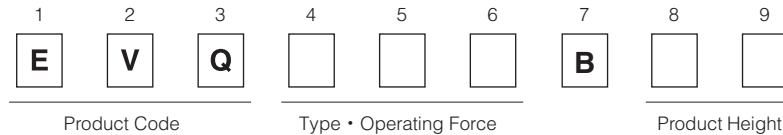
■ Features

- External dimensions : 4.1 mm×4.1 mm
Height :Without Push Plate 0.35 mm, With Push Plate 0.58 mm
:Without Push Plate-With Ground Terminal 0.43 mm
- Long-life :1,000,000 cycles min.
(Operating Force 1.0N, 1.6 N Type)
- Dust-proof structure

■ Recommended Applications

- Operating switches for portable electronic equipment
(Mobile phones, Camcorders, Portable audio players, etc.).

■ Explanation of Part Numbers



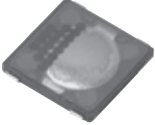
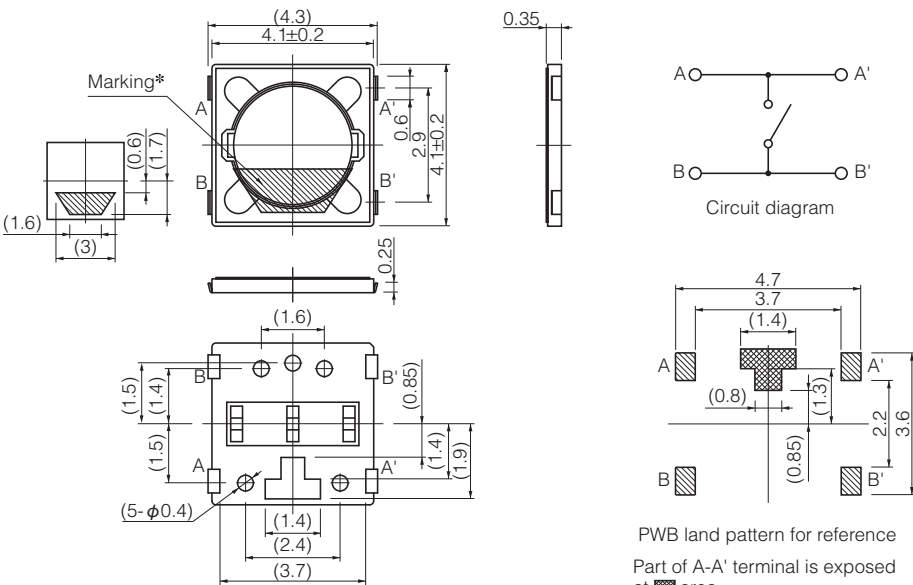


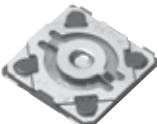
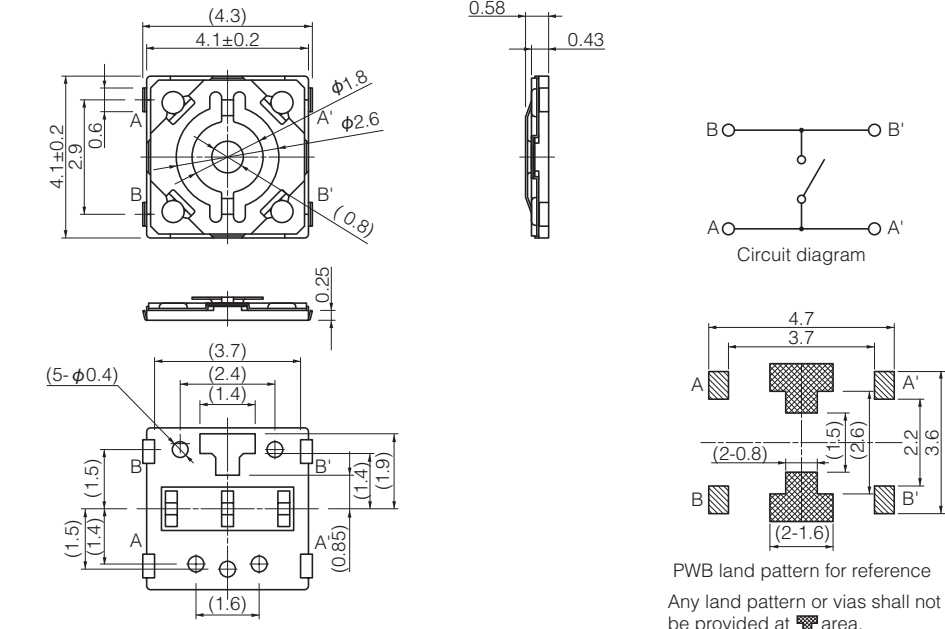
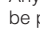
■ Specifications

Type		Snap action / Push-on type SPST
Electrical	Rating	10 μ A 2 VDC to 20 mA 15 VDC (Resistive load)
	Contact Resistance	500 m Ω max.
	Insulation Resistance	50 M Ω min. (at 100V DC)
	Dielectric Withstanding Voltage	100 V AC for 1 minute
	Bouncing	3 ms max. (ON) 10 ms max. (OFF)
Mechanical	Operating Force	1.0 N, 1.6 N, 2.4 N
	Travel	0.2 mm (EVQ7P6 : 0.15 mm)
Endurance	Operating Life	1.0 N, 1.6 N : 1,000,000 cycles min. 2.4 N : 500,000 cycles min.
Operating Temperature		-20 °C to +70 °C
Storage Temperature		-40 °C to +85 °C (Bulk) -20 °C to +60 °C (Taping)
Minimum Quantity/Packing Unit		10,000 pcs. Embossed Taping (Reel Pack)
Quantity/Carton		50,000 pcs.

Note: Non washable

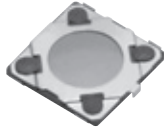
Design and specifications are each subject to change without notice. Ask factory for the current technical specifications before purchase and/or use.
Should a safety concern arise regarding this product, please be sure to contact us immediately.

■ Dimensions in mm (not to scale)

<p>No. 1</p> <p>EVQP6D EVQP6P</p> <p>(Embossed Taping)</p> <p>Surface mount For reflow soldering Without push plate</p> 	<p>General dimension tolerance : ± 0.1 () dimensions are reference dimensions.</p>  <p>Circuit diagram</p> <p>PWB land pattern for reference Part of A-A' terminal is exposed at  area. Any land pattern or vias shall not be provided at  area.</p> <p>*Marking varies according to push force.</p>		
<p>Part Numbers</p> <p>EVQP6DB35</p> <p>EVQP6PB35</p>	<p>Operating Force</p> <p>1.6 N</p> <p>2.4 N</p>	<p>Height</p> <p>0.35 mm</p> <p>0.35 mm</p>	<p>Operating Life</p> <p>1,000,000 cycles</p> <p>500,000 cycles</p>
<p>No. 2</p> <p>EVQP6L EVQP6Y</p> <p>(Embossed Taping)</p> <p>Surface mount For reflow soldering With push plate</p> 	<p>General dimension tolerance : ± 0.1 () dimensions are reference dimensions.</p>  <p>Circuit diagram</p> <p>PWB land pattern for reference Any land pattern or vias shall not be provided at  area.</p>		
<p>Part Numbers</p> <p>EVQP6LB55</p> <p>EVQP6YB55</p>	<p>Operating Force</p> <p>1.6 N</p> <p>2.4 N</p>	<p>Height</p> <p>0.58 mm</p> <p>0.58 mm</p>	<p>Operating Life</p> <p>1,000,000 cycles</p> <p>500,000 cycles</p>

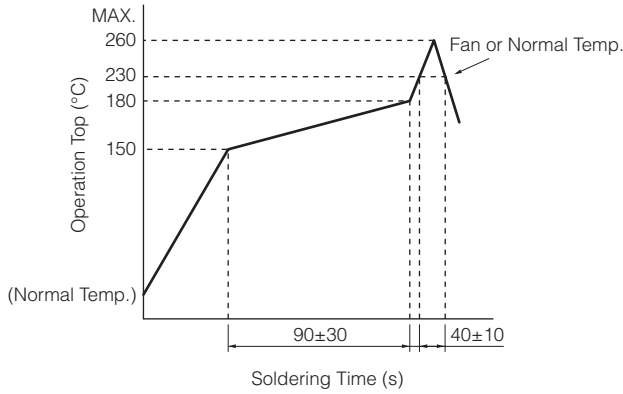
Design and specifications are each subject to change without notice. Ask factory for the current technical specifications before purchase and/or use.
Should a safety concern arise regarding this product, please be sure to contact us immediately.

■ Dimensions in mm (not to scale)

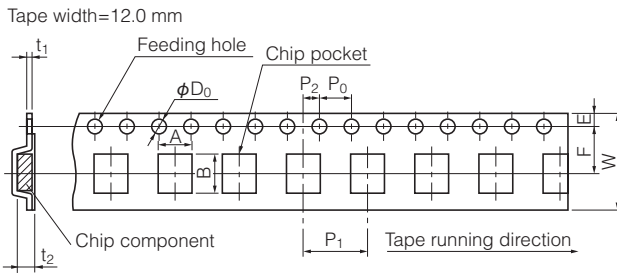
No. 3	General dimension tolerance : ± 0.1 () dimensions are reference dimensions.		
<p>EVQ7P6 EVQ6P6 EVQ9P6</p> <p>(Embossed Taping)</p> <p>Surface mount For reflow soldering Without push plate With Ground Terminal</p> 	<p>Circuit diagram</p> <p>PWB land pattern for reference Part of B-B' terminal is exposed at area. Any land pattern or vias shall not be provided at area.</p>		
Part Numbers	Operating Force	Height	Operating Life
EVQ7P6B40	1.0 N	0.43 mm	1,000,000 cycles
EVQ6P6B40	1.6 N	0.43 mm	1,000,000 cycles
EVQ9P6B40	2.4 N	0.43 mm	500,000 cycles

Design and specifications are each subject to change without notice. Ask factory for the current technical specifications before purchase and/or use.
Should a safety concern arise regarding this product, please be sure to contact us immediately.

■ Recommended Reflow Soldering Conditions



● Embossed Carrier Taping



Taping condition : Lack of products in the middle of taping should be one MAX, but total quantity specified in the specifications should be secured.

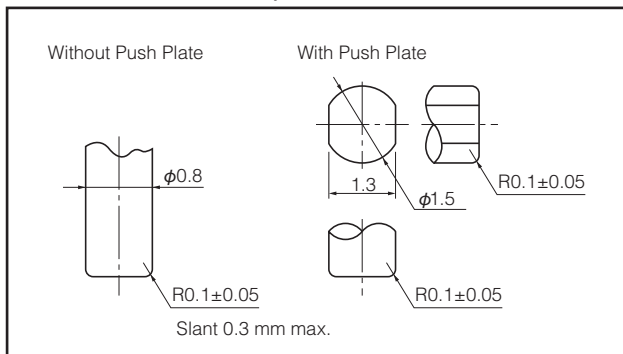
Peeling off strength of top tape : It should be within 0.2N to 1.0N at 165 degree in peeling off angle.

Joint of carrier tape : One joint per one reel may exist.

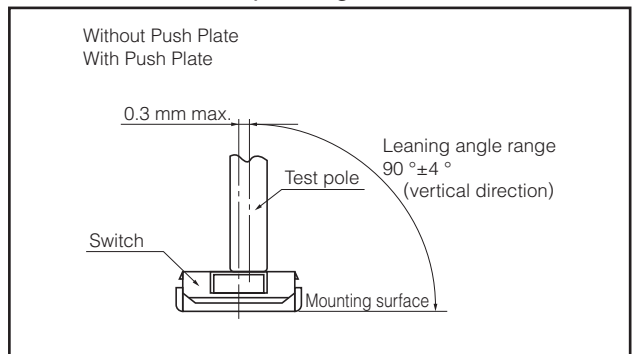
Unit: mm

Part No.	Height	A	B	W	F	E	P_1	P_2	P_0	D_0 Dia.	t_1	t_2
EVQP6	0.35/0.58	4.0±0.2	5.0±0.2	12.0 ^{+0.3} _{-0.1}	5.5±0.1	1.75±0.10	8.0±0.1	2.0±0.1	4.0±0.1	1.5 ^{+0.1} ₋₀	0.30±0.05	0.5/0.7 ^{+0.2} _{-0.1}
EVQ6P6	0.43											
EVQ7P6												
EVQ9P6												

■ Recommended Shape of Test Pole



■ Recommended Operating Conditions



Design and specifications are each subject to change without notice. Ask factory for the current technical specifications before purchase and/or use. Should a safety concern arise regarding this product, please be sure to contact us immediately.