



Chipsmall Limited consists of a professional team with an average of over 10 year of expertise in the distribution of electronic components. Based in Hongkong, we have already established firm and mutual-benefit business relationships with customers from,Europe,America and south Asia,supplying obsolete and hard-to-find components to meet their specific needs.

With the principle of “Quality Parts,Customers Priority,Honest Operation,and Considerate Service”,our business mainly focus on the distribution of electronic components. Line cards we deal with include Microchip,ALPS,ROHM,Xilinx,Pulse,ON,Everlight and Freescale. Main products comprise IC,Modules,Potentiometer,IC Socket,Relay,Connector.Our parts cover such applications as commercial,industrial, and automotives areas.

We are looking forward to setting up business relationship with you and hope to provide you with the best service and solution. Let us make a better world for our industry!



Contact us

Tel: +86-755-8981 8866 Fax: +86-755-8427 6832

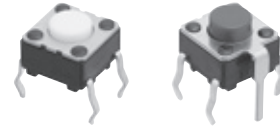
Email & Skype: info@chipsmall.com Web: www.chipsmall.com

Address: A1208, Overseas Decoration Building, #122 Zhenhua RD., Futian, Shenzhen, China



5N Type Light Touch Switches

Type: **EVQPA/EVQPB**



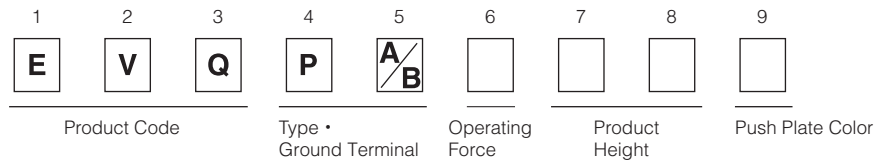
■ Features

- Wealth of product types: With or without a ground terminal, vertical type, snap-in terminals, etc.
- Can be automatically dip-soldered: Integral molding of the terminals and main body prevents the escape of flux.

■ Recommended Applications

- Operating switches for other electronic equipment

■ Explanation of Part Numbers




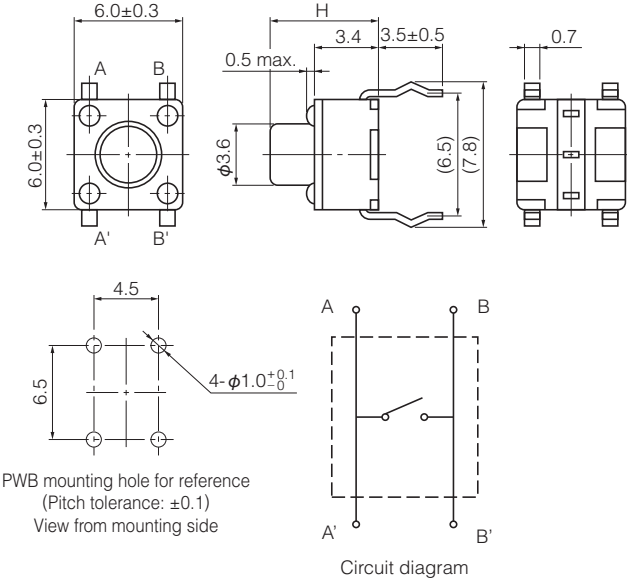
■ Specifications

Type		Snap action/Push-on type SPST	
Electrical	Circuit Diagram		
	Rating	10 μ A 2 V DC to 20 mA 15 V DC (Resistive load)	
	Contact Resistance	50 m Ω max.	
	Insulation Resistance	50 M Ω min. (at 100 V DC)	
	Dielectric Withstanding Voltage	250 V AC for 1 minute	
	Bouncing	3 ms max. (ON) 8 ms max. (OFF)	
Mechanical	Operating Force	1.0 N \pm 0.4 N 1.3 N \pm 0.4 N 1.6 N \pm 0.5 N	2.6 N \pm 0.6 N
	Travel	0.25 mm \pm 0.10 mm	
Endurance	Operating Life	100,000 cycles min.*	50,000 cycles min.
Operating Temperature		-20 $^{\circ}$ C to +70 $^{\circ}$ C	
Storage Temperature		-40 $^{\circ}$ C to +85 $^{\circ}$ C (Bulk)	
Minimum Quantity/Packing Unit		500 pcs. Polyethylene Bag (Bulk)	
Quantity/Cartron		10,000 pcs.	

*1 million cycles also available, consult our salesmen.


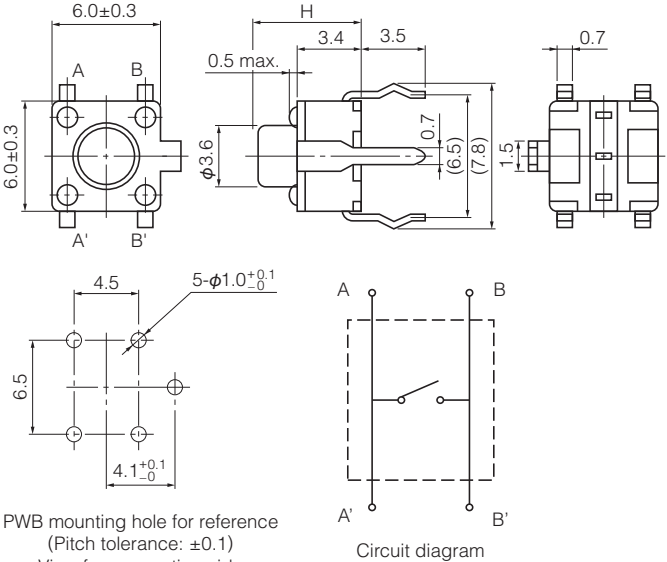
Design and specifications are each subject to change without notice. Ask factory for the current technical specifications before purchase and/or use. Should a safety concern arise regarding this product, please be sure to contact us immediately.

■ Dimensions in mm (not to scale)

<p>No. 1</p> <p>EVQPA</p> <p>Without ground terminal</p> 	<p>General dimension tolerance : ± 0.2 () dimensions are reference dimensions.</p>  <p>PWB mounting hole for reference (Pitch tolerance: ± 0.1) View from mounting side</p> <p>Circuit diagram</p>																																																																																								
<table border="1"> <thead> <tr> <th>Part Numbers</th> <th>Operating Force</th> <th>H=Height</th> <th>Push Plate Color</th> <th>Operating Life</th> </tr> </thead> <tbody> <tr><td>EVQPAC04M</td><td>1.0 N</td><td>4.3 mm</td><td>White</td><td>100,000 cycles</td></tr> <tr><td>EVQPAC05R</td><td>1.0 N</td><td>5.0 mm</td><td>Red</td><td>100,000 cycles</td></tr> <tr><td>EVQPAC07K</td><td>1.0 N</td><td>7.0 mm</td><td>Black</td><td>100,000 cycles</td></tr> <tr><td>EVQPAC09K</td><td>1.0 N</td><td>9.5 mm</td><td>Black</td><td>100,000 cycles</td></tr> <tr><td>EVQPAD04M</td><td>1.3 N</td><td>4.3 mm</td><td>White</td><td>100,000 cycles</td></tr> <tr><td>EVQPAD05R</td><td>1.3 N</td><td>5.0 mm</td><td>Red</td><td>100,000 cycles</td></tr> <tr><td>EVQPAD07K</td><td>1.3 N</td><td>7.0 mm</td><td>Black</td><td>100,000 cycles</td></tr> <tr><td>EVQPAD09K</td><td>1.3 N</td><td>9.5 mm</td><td>Black</td><td>100,000 cycles</td></tr> <tr><td>EVQPAE04M</td><td>1.6 N</td><td>4.3 mm</td><td>White</td><td>100,000 cycles</td></tr> <tr><td>EVQPAE05R</td><td>1.6 N</td><td>5.0 mm</td><td>Red</td><td>100,000 cycles</td></tr> <tr><td>EVQPAE07K</td><td>1.6 N</td><td>7.0 mm</td><td>Black</td><td>100,000 cycles</td></tr> <tr><td>EVQPAE09K</td><td>1.6 N</td><td>9.5 mm</td><td>Black</td><td>100,000 cycles</td></tr> <tr><td>EVQPAG04M</td><td>2.6 N</td><td>4.3 mm</td><td>White</td><td>50,000 cycles</td></tr> <tr><td>EVQPAG05R</td><td>2.6 N</td><td>5.0 mm</td><td>Red</td><td>50,000 cycles</td></tr> <tr><td>EVQPAG07K</td><td>2.6 N</td><td>7.0 mm</td><td>Black</td><td>50,000 cycles</td></tr> <tr><td>EVQPAG09K</td><td>2.6 N</td><td>9.5 mm</td><td>Black</td><td>50,000 cycles</td></tr> </tbody> </table>	Part Numbers	Operating Force	H=Height	Push Plate Color	Operating Life	EVQPAC04M	1.0 N	4.3 mm	White	100,000 cycles	EVQPAC05R	1.0 N	5.0 mm	Red	100,000 cycles	EVQPAC07K	1.0 N	7.0 mm	Black	100,000 cycles	EVQPAC09K	1.0 N	9.5 mm	Black	100,000 cycles	EVQPAD04M	1.3 N	4.3 mm	White	100,000 cycles	EVQPAD05R	1.3 N	5.0 mm	Red	100,000 cycles	EVQPAD07K	1.3 N	7.0 mm	Black	100,000 cycles	EVQPAD09K	1.3 N	9.5 mm	Black	100,000 cycles	EVQPAE04M	1.6 N	4.3 mm	White	100,000 cycles	EVQPAE05R	1.6 N	5.0 mm	Red	100,000 cycles	EVQPAE07K	1.6 N	7.0 mm	Black	100,000 cycles	EVQPAE09K	1.6 N	9.5 mm	Black	100,000 cycles	EVQPAG04M	2.6 N	4.3 mm	White	50,000 cycles	EVQPAG05R	2.6 N	5.0 mm	Red	50,000 cycles	EVQPAG07K	2.6 N	7.0 mm	Black	50,000 cycles	EVQPAG09K	2.6 N	9.5 mm	Black	50,000 cycles				
Part Numbers	Operating Force	H=Height	Push Plate Color	Operating Life																																																																																					
EVQPAC04M	1.0 N	4.3 mm	White	100,000 cycles																																																																																					
EVQPAC05R	1.0 N	5.0 mm	Red	100,000 cycles																																																																																					
EVQPAC07K	1.0 N	7.0 mm	Black	100,000 cycles																																																																																					
EVQPAC09K	1.0 N	9.5 mm	Black	100,000 cycles																																																																																					
EVQPAD04M	1.3 N	4.3 mm	White	100,000 cycles																																																																																					
EVQPAD05R	1.3 N	5.0 mm	Red	100,000 cycles																																																																																					
EVQPAD07K	1.3 N	7.0 mm	Black	100,000 cycles																																																																																					
EVQPAD09K	1.3 N	9.5 mm	Black	100,000 cycles																																																																																					
EVQPAE04M	1.6 N	4.3 mm	White	100,000 cycles																																																																																					
EVQPAE05R	1.6 N	5.0 mm	Red	100,000 cycles																																																																																					
EVQPAE07K	1.6 N	7.0 mm	Black	100,000 cycles																																																																																					
EVQPAE09K	1.6 N	9.5 mm	Black	100,000 cycles																																																																																					
EVQPAG04M	2.6 N	4.3 mm	White	50,000 cycles																																																																																					
EVQPAG05R	2.6 N	5.0 mm	Red	50,000 cycles																																																																																					
EVQPAG07K	2.6 N	7.0 mm	Black	50,000 cycles																																																																																					
EVQPAG09K	2.6 N	9.5 mm	Black	50,000 cycles																																																																																					

Design and specifications are each subject to change without notice. Ask factory for the current technical specifications before purchase and/or use.
Should a safety concern arise regarding this product, please be sure to contact us immediately.

■ Dimensions in mm (not to scale)

<p>No. 2</p> <p>EVQPB</p> <p>With ground terminal</p> 	<p>General dimension tolerance : ± 0.2 () dimensions are reference dimensions.</p>  <p>PWB mounting hole for reference (Pitch tolerance: ± 0.1) View from mounting side</p> <p>Circuit diagram</p>			
Part Numbers	Operating Force	H=Height	Push Plate Color	Operating Life
EVQPBC04M	1.0 N	4.3 mm	White	100,000 cycles
EVQPBC05R	1.0 N	5.0 mm	Red	100,000 cycles
EVQPBC07K	1.0 N	7.0 mm	Black	100,000 cycles
EVQPBC09K	1.0 N	9.5 mm	Black	100,000 cycles
EVQPBD04M	1.3 N	4.3 mm	White	100,000 cycles
EVQPBD05R	1.3 N	5.0 mm	Red	100,000 cycles
EVQPBD07K	1.3 N	7.0 mm	Black	100,000 cycles
EVQPBD09K	1.3 N	9.5 mm	Black	100,000 cycles
EVQPBE04M	1.6 N	4.3 mm	White	100,000 cycles
EVQPBE05R	1.6 N	5.0 mm	Red	100,000 cycles
EVQPBE07K	1.6 N	7.0 mm	Black	100,000 cycles
EVQPBE09K	1.6 N	9.5 mm	Black	100,000 cycles
EVQPBG04M	2.6 N	4.3 mm	White	50,000 cycles
EVQPBG05R	2.6 N	5.0 mm	Red	50,000 cycles
EVQPBG07K	2.6 N	7.0 mm	Black	50,000 cycles
EVQPBG09K	2.6 N	9.5 mm	Black	50,000 cycles

Design and specifications are each subject to change without notice. Ask factory for the current technical specifications before purchase and/or use.
Should a safety concern arise regarding this product, please be sure to contact us immediately.