



Chipsmall Limited consists of a professional team with an average of over 10 year of expertise in the distribution of electronic components. Based in Hongkong, we have already established firm and mutual-benefit business relationships with customers from,Europe,America and south Asia,supplying obsolete and hard-to-find components to meet their specific needs.

With the principle of “Quality Parts,Customers Priority,Honest Operation,and Considerate Service”,our business mainly focus on the distribution of electronic components. Line cards we deal with include Microchip,ALPS,ROHM,Xilinx,Pulse,ON,Everlight and Freescale. Main products comprise IC,Modules,Potentiometer,IC Socket,Relay,Connector.Our parts cover such applications as commercial,industrial, and automotives areas.

We are looking forward to setting up business relationship with you and hope to provide you with the best service and solution. Let us make a better world for our industry!



Contact us

Tel: +86-755-8981 8866 Fax: +86-755-8427 6832

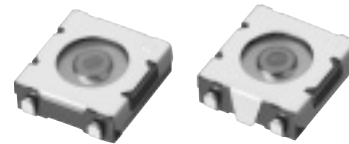
Email & Skype: info@chipsmall.com Web: www.chipsmall.com

Address: A1208, Overseas Decoration Building, #122 Zhenhua RD., Futian, Shenzhen, China



2 mm Thick SMD Light Touch Switches
for Reflow Soldering (Without Push Plate)

Japan



Type: **EVQQF**

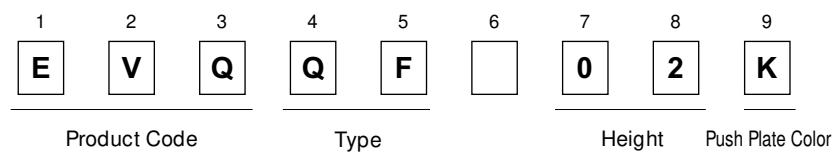
■ Features

- 2.0 mm-high chip Light Touch Switches
- Reflow soldering available
- High reliability due to sealed structure
- Ground terminal option

■ Recommended Applications

- Operating switches for camcorders, headphone stereos
- Operating signal input switches for communication equipments

■ Explanation of Part Numbers



■ Product Chart

Type without Push Plate	Soldering		Reflow soldering	
	Packaging		Taping	
	Ground terminal		Without	With
Profile H=2.0 mm	Operating Force	1.3 N	EVQQFV	EVQQFY

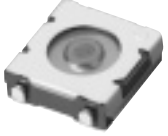
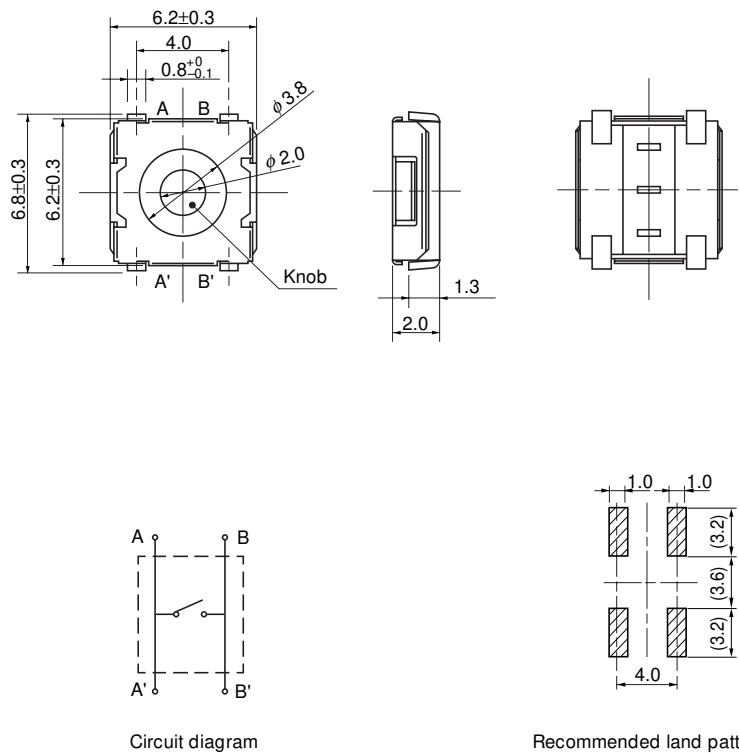
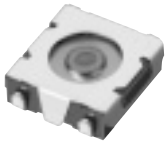
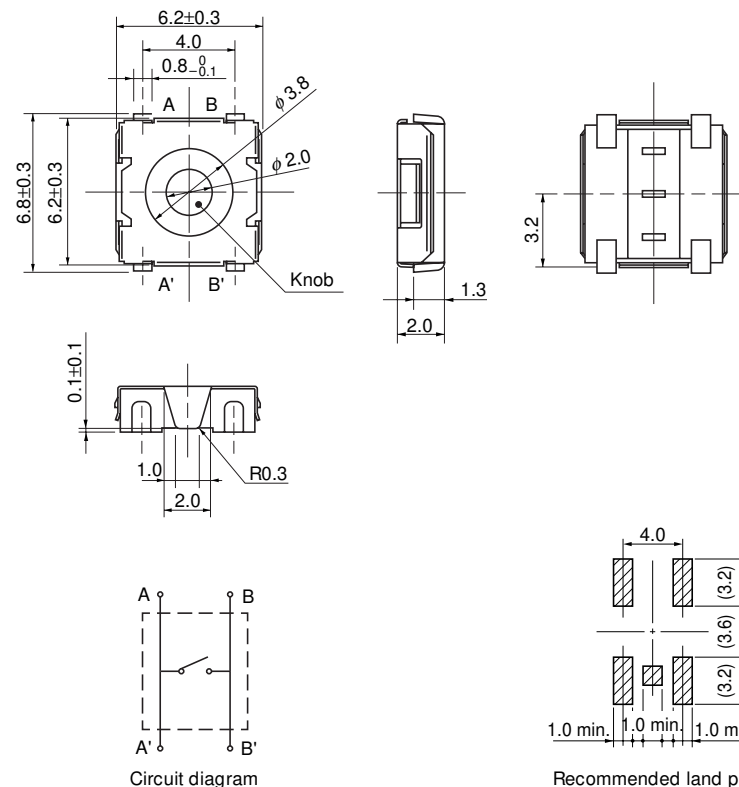
■ Specifications

Type		Snap action/Push-on type SPST
Electrical	Rating	20 mA 15 Vdc max. (Resistive load)
	Contact Resistance	50 mΩ max.
	Insulation Resistance	50 MΩ min. (at 100 Vdc)
	Dielectric Withstanding Voltage	250 Vac for 1 minute
	Bouncing	3 ms max. (ON) 8 ms max. (OFF)
Mechanical	Operating Force	1.3 N±0.4 N
	Travel	0.25 mm±0.10 mm
Endurance	Operating Life	100000 cycles min.*
	Operating Temperature	-20 °C to +70 °C (45 % to 85 % RH)
	Storage Temperature	-40 °C to +85 °C (Bulk) -20 °C to +60 °C (Taping)
Minimum Quantity/Packing Unit		4000 pcs. Embossed Taping (Reel Pack)
Quantity/Carton		20000 pcs.

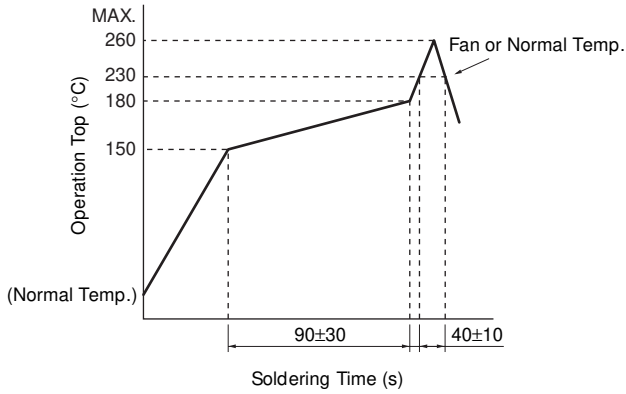
Note: Non washable
* 1 million cycles also available, consult our salesmen.

Design and specifications are each subject to change without notice. Ask factory for the current technical specifications before purchase and/or use.
Should a safety concern arise regarding this product, please be sure to contact us immediately.

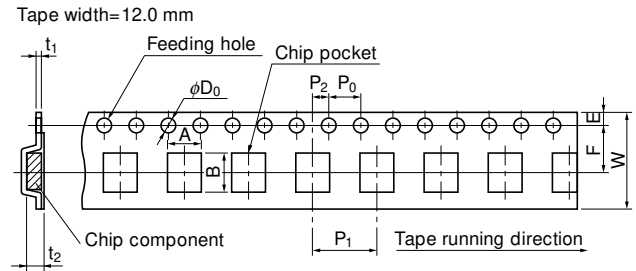
■ Dimensions in mm (not to scale)

<p>No. 1</p> <p>EVQQFV</p> <p>(Embossed Taping)</p> <p>Surface mount For reflow soldering Without ground terminal</p> 	 <p style="text-align: center;">Circuit diagram</p> <p style="text-align: right;">Recommended land pattern</p>		
<p>Part Numbers</p> <p>EVQQFV02K</p>	<p>Operating Force</p> <p>1.3 N</p>	<p>Height</p> <p>2.0 mm</p>	<p>Operating Life</p> <p>100000 cycles</p>
<p>No. 2</p> <p>EVQQFY</p> <p>(Embossed Taping)</p> <p>Surface mount For reflow soldering With ground terminal</p> 	 <p style="text-align: center;">Circuit diagram</p> <p style="text-align: right;">Recommended land pattern</p>		
<p>Part Numbers</p> <p>EVQQFY02K</p>	<p>Operating Force</p> <p>1.3 N</p>	<p>Height</p> <p>2.0 mm</p>	<p>Operating Life</p> <p>100000 cycles</p>

Recommended Reflow Soldering Conditions



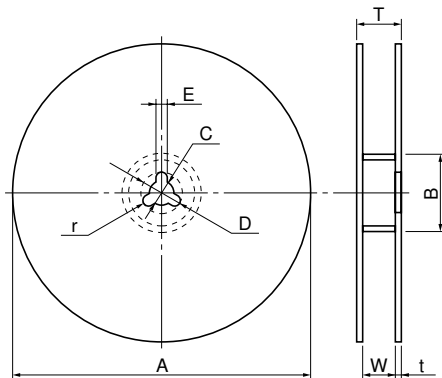
Embossed Carrier Taping



Unit: mm

Part No.	Height	A	B	W	F	E	P ₁	P ₂	P ₀	D ₀ Dia.	t ₁	t ₂
EVQQF	2.0	7.0±0.2	7.5±0.2	12.0±0.3	5.5±0.1	1.75±0.10	8.0±0.1	2.0±0.1	4.0±0.1	1.5 ^{+0.1} ₋₀	0.30±0.05	2.2±0.2

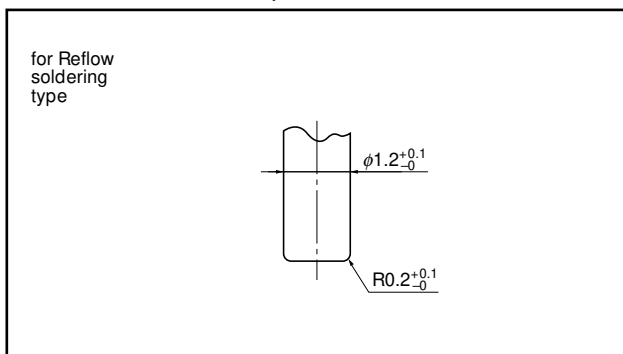
Standard Reel Dimensions in mm (not to scale)



Item	A	B	C	D	E
Rate (mm)	φ370.0±2.0	φ50.0 min.	φ13.0±0.5	φ21.0±1.0	2.0±0.5

Item	W	T	t	r
Rate (mm)	14.0±1.5	—	1.0 to 3.0	1.0±0.5

Recommended Shape of Test Pole



Recommended Operating Conditions

