



Chipsmall Limited consists of a professional team with an average of over 10 year of expertise in the distribution of electronic components. Based in Hongkong, we have already established firm and mutual-benefit business relationships with customers from,Europe,America and south Asia,supplying obsolete and hard-to-find components to meet their specific needs.

With the principle of “Quality Parts,Customers Priority,Honest Operation,and Considerate Service”,our business mainly focus on the distribution of electronic components. Line cards we deal with include Microchip,ALPS,ROHM,Xilinx,Pulse,ON,Everlight and Freescale. Main products comprise IC,Modules,Potentiometer,IC Socket,Relay,Connector.Our parts cover such applications as commercial,industrial, and automotives areas.

We are looking forward to setting up business relationship with you and hope to provide you with the best service and solution. Let us make a better world for our industry!



Contact us

Tel: +86-755-8981 8866 Fax: +86-755-8427 6832

Email & Skype: info@chipsmall.com Web: www.chipsmall.com

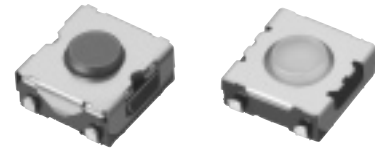
Address: A1208, Overseas Decoration Building, #122 Zhenhua RD., Futian, Shenzhen, China



Surface Mount Light Touch Switches with Knob for Reflow Soldering

Japan

Type: **EVQPH/EVQQW**



Surface-mount type with a push button

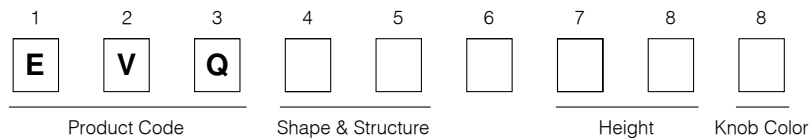
■ Features

- Easy operation type with knob
- Reflow soldering available
- Wide product variety: With or without ground terminal, height, operating force

■ Recommended Applications

- Operating button switches for Camcorders, Headphone Stereos.
- Operating signal input switches for Communication Equipments.

■ Explanation of Part Numbers



■ Product Chart

Type with Knob	Soldering	Reflow soldering				
		Without sealing film		With sealing film		
	Packaging	Taping L=2.0, 2.5, 3.1 mm		Taping L=3.1 mm		
Ground terminal	Without	With	Without	With		
Profile 	Operating Force	1.3 N	EVQQWP	EVQQWM	EVQPHP	EVQPHL
		1.6 N	EVQQWS	EVQQWN	EVQPHV	EVQPHN
		2.6 N	EVQQWT	EVQQWK	EVQPHU	EVQPHK


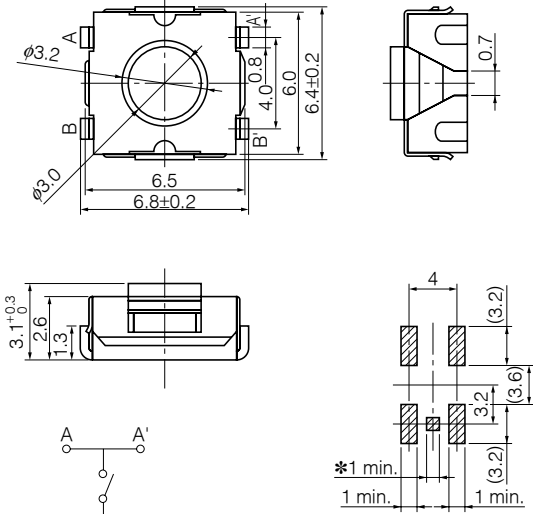
■ Major Specifications

Type	Snap action / Push-on type SPST			
Electrical	Rating	20 mA 15 Vdc max.		
	Contact Resistance	50 mΩ max.		
	Insulation Resistance	50 mΩ min. (at 100Vdc)		
	Dielectric Withstanding Voltage	250 Vac for 1 minute		
	Bouncing	3 ms max. (ON) 8 ms max. (OFF)		
Mechanical	Operating Force	1.3 N±0.4 N 1.6 N±0.5 N	2.6 N± 0.6 N	
	Travel	0.25 mm±0.10 mm		
Endurance	Operating Life	EVQPH	100000 cycles min.	50000 cycles min.
		EVQQW	1000000 cycles min.	100000 cycles min.
	Operating Temperature	-20 °C to +70 °C (45 % to 85 % RH)		
Storage Temperature	-40 °C to +85 °C (Bulk)			
	-20 °C to +60 °C (Taping)			
Minimum Quantity/Packing Unit	H=2.0 mm	4000 pcs. (Reel Pack)		
	H=2.5 mm, 3.1 mm	2000 pcs. (Reel Pack)		
Quantity/Carton	H=2.0 mm	20000 pcs.		
	H=2.5 mm, 3.1 mm	10000 pcs.		

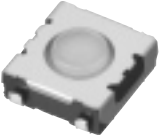
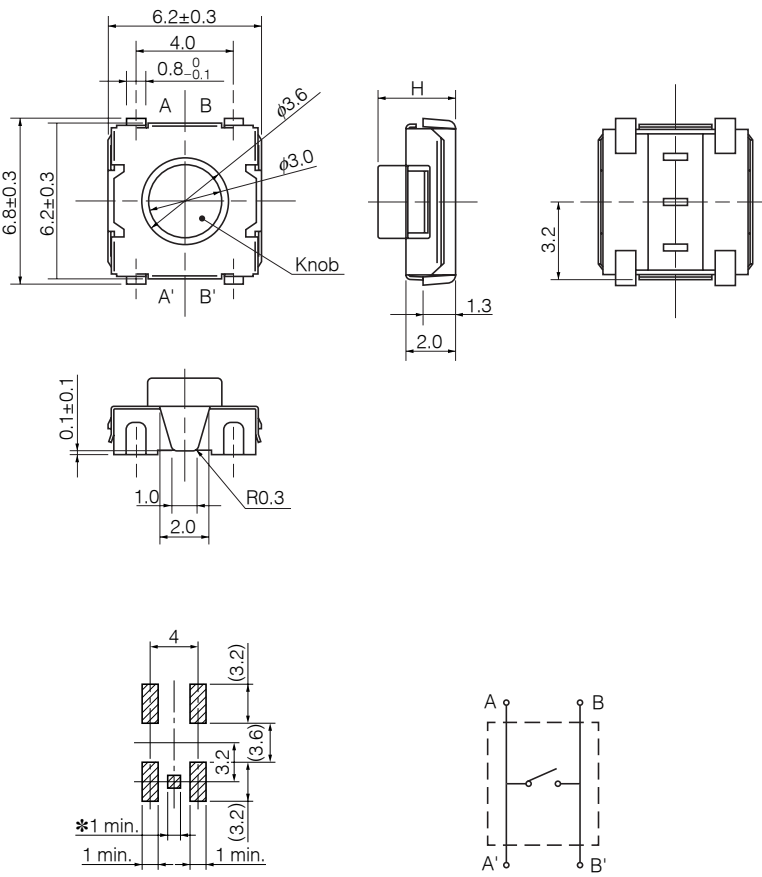
Note: Non washable

Design, Specifications are subject to change without notice. Ask factory for technical specifications before purchase and/ or use. Whenever a doubt about safety arises from this product, please inform us immediately for technical consultation without fail.

■ Dimensions in mm (not to scale)

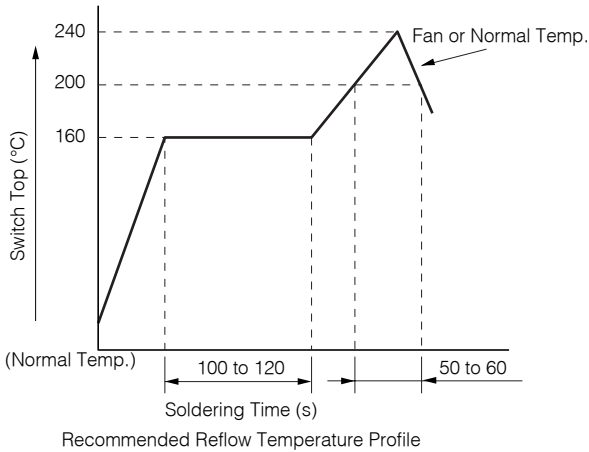
<p>No. 1</p> <p>Japan</p> <p>EVQPH (Embossed Taping)</p> <p>With knob Surface mount For reflow soldering Without ground terminal</p> <p>Notes: 1. Non-washable in solvents 2. Types with ground terminal available</p> 	<p>Registered by EIAJ-SMD Outline Registration System</p>  <p>Circuit diagram</p> <p>Reference of PCB pattern</p> <p>* This land not necessary when a ground terminal is not used.</p>				
Part Numbers	Operating Force	Height	Knob Color	Ground Terminal	Operating Life
EVQPHP03T	1.3 N	3.1 mm	Brown	Without	100000 cycles
EVQPHV03T	1.6 N	3.1 mm	Brown	Without	100000 cycles
EVQPHU03T	2.6 N	3.1 mm	Brown	Without	50000 cycles
EVQPHL03T	1.3 N	3.1 mm	Brown	With	100000 cycles
EVQPHN03T	1.6 N	3.1 mm	Brown	With	100000 cycles
EVQPHK03T	2.6 N	3.1 mm	Brown	With	50000 cycles

■ Dimensions in mm (not to scale)

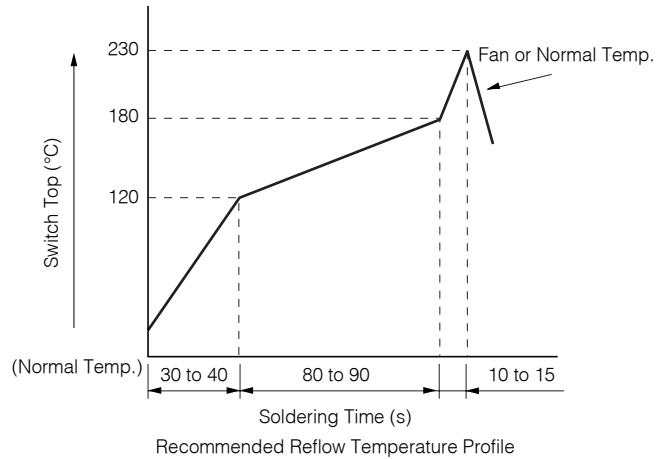
<p>No. 2</p> <p>Japan</p> <p>EVQQW (Embossed Taping)</p> <p>With knob Surface mount For reflow soldering With ground terminal</p> <p>Notes: 1. Non-washable in solvents 2. Types with ground terminal available</p> 	 <p>Reference of PCB pattern</p> <p>Circuit Diagram</p> <table border="1" data-bbox="1276 1187 1420 1310"> <thead> <tr> <th>Height</th> </tr> </thead> <tbody> <tr> <td>H</td> </tr> <tr> <td>2.0±0.2</td> </tr> <tr> <td>2.5±0.2</td> </tr> <tr> <td>3.1^{+0.3}_{-0.1}</td> </tr> </tbody> </table> <p>* This land not necessary when a ground terminal is not used.</p>					Height	H	2.0±0.2	2.5±0.2	3.1 ^{+0.3} _{-0.1}
Height										
H										
2.0±0.2										
2.5±0.2										
3.1 ^{+0.3} _{-0.1}										
<p>Part Numbers</p>	<p>Operating Force</p>	<p>Height</p>	<p>Knob Color</p>	<p>Ground Terminal</p>	<p>Operating Life</p>					
EVQQWP01W	1.3 N	2.0 mm	White	Without	100000 cycles					
EVQQWP02W	1.3 N	2.5 mm	White	Without	100000 cycles					
EVQQWP03W	1.3 N	3.1 mm	White	Without	100000 cycles					
EVQQWS01W	1.6 N	2.0 mm	White	Without	100000 cycles					
EVQQWS02W	1.6 N	2.5 mm	White	Without	100000 cycles					
EVQQWS03W	1.6 N	3.1 mm	White	Without	100000 cycles					
EVQQWT01W	2.6 N	2.0 mm	White	Without	10000 cycles					
EVQQWT02W	2.6 N	2.5 mm	White	Without	10000 cycles					
EVQQWT03W	2.6 N	3.1 mm	White	Without	10000 cycles					
EVQQWM01W	1.3 N	2.0 mm	White	With	100000 cycles					
EVQQWM02W	1.3 N	2.5 mm	White	With	100000 cycles					
EVQQWM03W	1.3 N	3.1 mm	White	With	100000 cycles					
EVQQWN01W	1.6 N	2.0 mm	White	With	100000 cycles					
EVQQWN02W	1.6 N	2.5 mm	White	With	100000 cycles					
EVQQWN03W	1.6 N	3.1 mm	White	With	100000 cycles					
EVQQWK01W	2.6 N	2.0 mm	White	With	10000 cycles					
EVQQWK02W	2.6 N	2.5 mm	White	With	10000 cycles					
EVQQWK03W	2.6 N	3.1 mm	White	With	10000 cycles					

Recommended Reflow Soldering Conditions

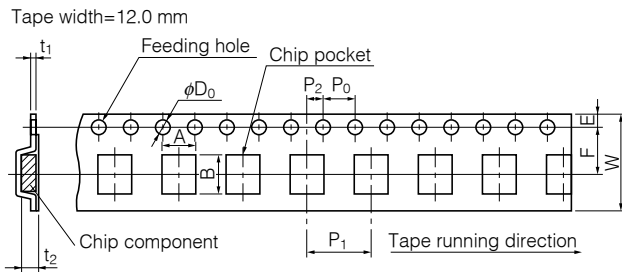
● Type PH



● Type QW



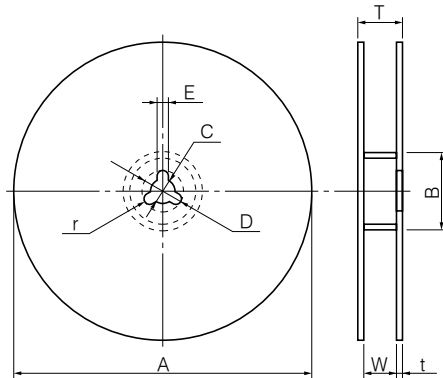
● Embossed Carrier Taping



Unit: mm

Part No.	Height	A	B	W	F	E	P_1	P_2	P_0	D_0 Dia.	t_1	t_2
EVQPH	3.1	7.0±0.2	7.5±0.2	12.0±0.3	5.5±0.1	1.75±0.10	8.0±0.1	2.0±0.1	4.0±0.1	1.5 ^{+0.1} ₀	0.30±0.05	3.2±0.2
EVQQW	2.0											2.2±0.2
	2.5/3.1											3.2±0.2

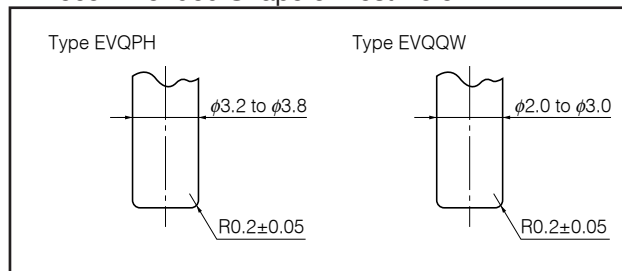
● Standard Reel Dimensions in mm (not to scale)



Item	A	B	C	D	E
Rate (mm)	$\phi 370.0 \pm 2.0$	$\phi 50.0$ min.	$\phi 13.0 \pm 0.5$	$\phi 21.0 \pm 1.0$	2.0±0.5

Item	W	T	t	r
Rate (mm)	14.0±1.5	—	1.0 to 3.0	1.0±0.5

Recommended Shape of Test Pole



Recommended Operating Conditions

