



Chipsmall Limited consists of a professional team with an average of over 10 year of expertise in the distribution of electronic components. Based in Hongkong, we have already established firm and mutual-benefit business relationships with customers from,Europe,America and south Asia,supplying obsolete and hard-to-find components to meet their specific needs.

With the principle of “Quality Parts,Customers Priority,Honest Operation,and Considerate Service”,our business mainly focus on the distribution of electronic components. Line cards we deal with include Microchip,ALPS,ROHM,Xilinx,Pulse,ON,Everlight and Freescale. Main products comprise IC,Modules,Potentiometer,IC Socket,Relay,Connector.Our parts cover such applications as commercial,industrial, and automotives areas.

We are looking forward to setting up business relationship with you and hope to provide you with the best service and solution. Let us make a better world for our industry!



## Contact us

Tel: +86-755-8981 8866 Fax: +86-755-8427 6832

Email & Skype: info@chipsmall.com Web: www.chipsmall.com

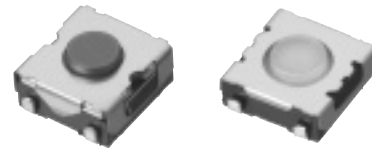
Address: A1208, Overseas Decoration Building, #122 Zhenhua RD., Futian, Shenzhen, China



2 mm Thick SMD Light Touch Switches  
for Reflow Soldering (With Push Plate)

Japan

Type: **EVQPH/EVQQX**



Surface-mount type with a push plate

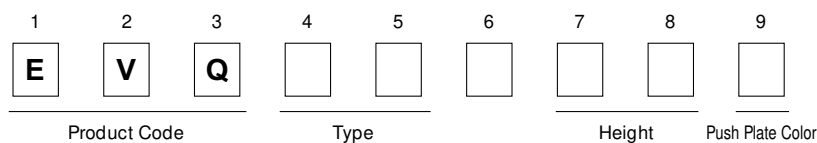
### ■ Features

- Easy operation with push plate
- Reflow soldering
- Wide product variety

### ■ Recommended Applications

- Car electronics equipment

### ■ Explanation of Part Numbers



### ■ Product Chart


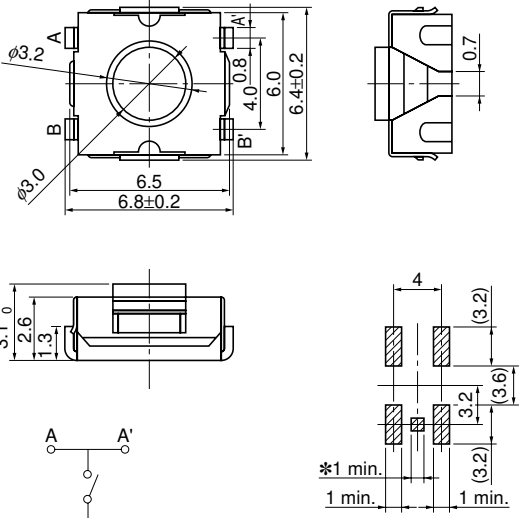
Type with Push Plate	Soldering	Reflow soldering				
		Without sealing film		With sealing film		
	Packaging	Taping L=2.0, 2.5, 3.1 mm		Taping L=3.1 mm		
Ground terminal		Without	With	Without	With	
	Operating Force	1.3 N	EVQQXP	EVQQXM	EVQPHP	EVQPHL
		1.6 N	EVQQXS	EVQQXN	EVQPHV	EVQPHN
		2.6 N	EVQQXT	EVQQXK	EVQPHU	EVQPHK

### ■ Specifications

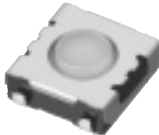
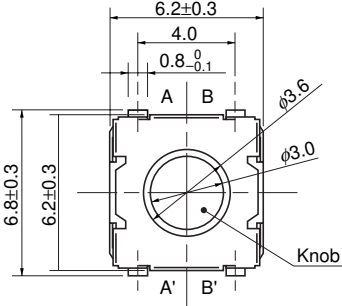
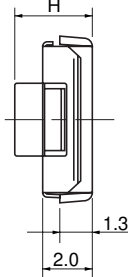
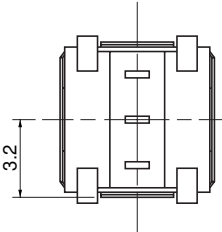
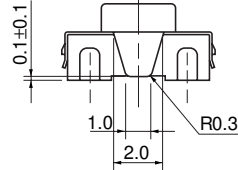
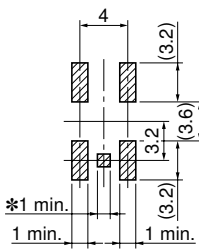
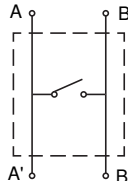
Type		Snap action / Push-on type SPST	
Electrical	Rating	20 mA 15 Vdc max. (Resistive load)	
	Contact Resistance	50 mΩ max.	
	Insulation Resistance	50 MΩ min. (at 100 Vdc)	
	Dielectric Withstanding Voltage	250 Vac for 1 minute	
	Bouncing	3 ms max. (ON) 8 ms max. (OFF)	
Mechanical	Operating Force	1.3 N±0.4 N 1.6 N±0.5 N	2.6 N± 0.6 N
	Travel	0.25 mm±0.10 mm	
Endurance	Operating Life	EVQPH	100000 cycles min.      50000 cycles min.
		EVQQX	1000000 cycles min.      100000 cycles min.
	Operating Temperature	-20 °C to +70 °C (45 % to 85 % RH)	
Storage Temperature	-40 °C to +85 °C (Bulk) -20 °C to +60 °C (Taping)		
Minimum Quantity/Packing Unit		H=2.0 mm	4000 pcs. Embossed Taping (Reel Pack)
		H=2.5 mm, 3.1 mm	2000 pcs. Embossed Taping (Reel Pack)
Quantity/Carton		H=2.0 mm	20000 pcs.
		H=2.5 mm, 3.1 mm	10000 pcs.

Note: Non washable

■ Dimensions in mm (not to scale)

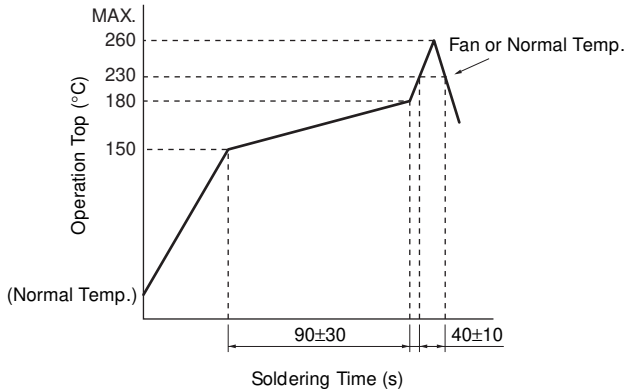
<p>No. 1</p> <p>EVQPH (Embossed Taping)</p> <p>With push plate Surface mount For reflow soldering With ground terminal Without ground terminal</p> <p>Notes: 1. Non-washable in solvents 2. Types with ground terminal available</p> 	 <p style="text-align: center;">Circuit diagram</p> <p style="text-align: center;">Reference of PWB pattern</p> <p style="text-align: right;">* This land not necessary when a ground terminal is not used.</p>				
<p>Part Numbers</p>	<p>Operating Force</p>	<p>Height</p>	<p>Push Plate Color</p>	<p>Ground Terminal</p>	<p>Operating Life</p>
<p>EVQPHP03T</p>	<p>1.3 N</p>	<p>3.1 mm</p>	<p>Brown</p>	<p>Without</p>	<p>100000 cycles</p>
<p>EVQPHV03T</p>	<p>1.6 N</p>	<p>3.1 mm</p>	<p>Brown</p>	<p>Without</p>	<p>100000 cycles</p>
<p>EVQPHU03T</p>	<p>2.6 N</p>	<p>3.1 mm</p>	<p>Brown</p>	<p>Without</p>	<p>50000 cycles</p>
<p>EVQPHL03T</p>	<p>1.3 N</p>	<p>3.1 mm</p>	<p>Brown</p>	<p>With</p>	<p>100000 cycles</p>
<p>EVQPHN03T</p>	<p>1.6 N</p>	<p>3.1 mm</p>	<p>Brown</p>	<p>With</p>	<p>100000 cycles</p>
<p>EVQPHK03T</p>	<p>2.6 N</p>	<p>3.1 mm</p>	<p>Brown</p>	<p>With</p>	<p>50000 cycles</p>

■ Dimensions in mm (not to scale)

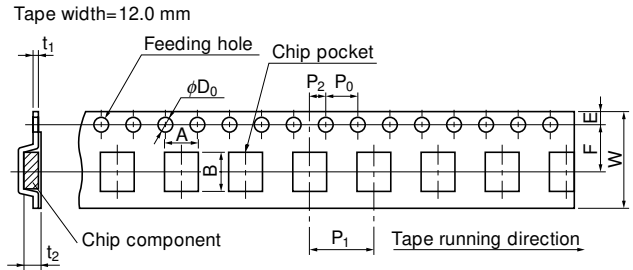
No. 2												
<p>EVQQX (Embossed Taping) With push plate Surface mount For reflow soldering With ground terminal Without ground terminal</p> <p>Notes: 1. Non-washable in solvents 2. Types with ground terminal available</p> 												
												
							<table border="1"> <thead> <tr> <th>Height</th> </tr> </thead> <tbody> <tr> <td>H</td> </tr> <tr> <td>2.0±0.2</td> </tr> <tr> <td>2.5±0.2</td> </tr> <tr> <td>3.1<sup>+0.3</sup><sub>-0.1</sub></td> </tr> </tbody> </table>	Height	H	2.0±0.2	2.5±0.2	3.1 <sup>+0.3</sup> <sub>-0.1</sub>
Height												
H												
2.0±0.2												
2.5±0.2												
3.1 <sup>+0.3</sup> <sub>-0.1</sub>												
		Reference of PWB pattern			Circuit Diagram							
		* This land not necessary when a ground terminal is not used.										
Part Numbers	Operating Force	H=Height	Push Plate Color	Ground Terminal	Operating Life							
EVQQXP01W	1.3 N	2.0 mm	White	Without	1000000 cycles							
EVQQXP02W	1.3 N	2.5 mm	White	Without	1000000 cycles							
EVQQXP03W	1.3 N	3.1 mm	White	Without	1000000 cycles							
EVQQXS01W	1.6 N	2.0 mm	White	Without	1000000 cycles							
EVQQXS02W	1.6 N	2.5 mm	White	Without	1000000 cycles							
EVQQXS03W	1.6 N	3.1 mm	White	Without	1000000 cycles							
EVQQXT01W	2.6 N	2.0 mm	White	Without	100000 cycles							
EVQQXT02W	2.6 N	2.5 mm	White	Without	100000 cycles							
EVQQXT03W	2.6 N	3.1 mm	White	Without	100000 cycles							
EVQQXM01W	1.3 N	2.0 mm	White	With	1000000 cycles							
EVQQXM02W	1.3 N	2.5 mm	White	With	1000000 cycles							
EVQQXM03W	1.3 N	3.1 mm	White	With	1000000 cycles							
EVQQXN01W	1.6 N	2.0 mm	White	With	1000000 cycles							
EVQQXN02W	1.6 N	2.5 mm	White	With	1000000 cycles							
EVQQXN03W	1.6 N	3.1 mm	White	With	1000000 cycles							
EVQQXK01W	2.6 N	2.0 mm	White	With	100000 cycles							
EVQQXK02W	2.6 N	2.5 mm	White	With	100000 cycles							
EVQQXK03W	2.6 N	3.1 mm	White	With	100000 cycles							

## Recommended Reflow Soldering Conditions

- Type EVQPH
- Type EVQQX



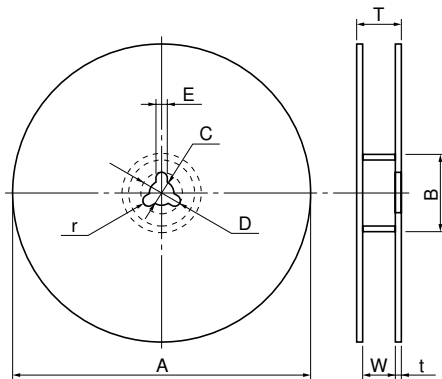
## Embossed Carrier Taping



Unit: mm

Part No.	Height	A	B	W	F	E	P <sub>1</sub>	P <sub>2</sub>	P <sub>0</sub>	D <sub>0</sub> Dia.	t <sub>1</sub>	t <sub>2</sub>
EVQPH	3.1	7.0±0.2	7.5±0.2	12.0±0.3	5.5±0.1	1.75±0.10	8.0±0.1	2.0±0.1	4.0±0.1	1.5 <sup>+0.1</sup> <sub>-0</sub>	0.30±0.05	3.2±0.2
EVQQX	2.0											2.2±0.2
	2.5/3.1											3.2±0.2

## Standard Reel Dimensions in mm (not to scale)

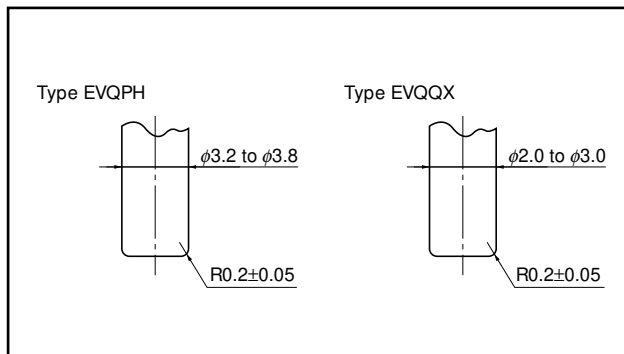


Item	A	B	C	D	E
Rate (mm)	φ370.0±2.0	φ50.0 min.	φ13.0±0.5	φ21.0±1.0	2.0±0.5

Item	W	T	t	r
Rate (mm)	14.0±1.5	—	1.0 to 3.0	1.0±0.5

## Recommended Shape of Test Pole



## Recommended Operating Conditions

