



Chipsmall Limited consists of a professional team with an average of over 10 year of expertise in the distribution of electronic components. Based in Hongkong, we have already established firm and mutual-benefit business relationships with customers from,Europe,America and south Asia,supplying obsolete and hard-to-find components to meet their specific needs.

With the principle of "Quality Parts,Customers Priority,Honest Operation,and Considerate Service",our business mainly focus on the distribution of electronic components. Line cards we deal with include Microchip,ALPS,ROHM,Xilinx,Pulse,ON,Everlight and Freescale. Main products comprise IC,Modules,Potentiometer,IC Socket,Relay,Connector.Our parts cover such applications as commercial,industrial, and automotives areas.

We are looking forward to setting up business relationship with you and hope to provide you with the best service and solution. Let us make a better world for our industry!



Contact us

Tel: +86-755-8981 8866 Fax: +86-755-8427 6832

Email & Skype: info@chipsmall.com Web: www.chipsmall.com

Address: A1208, Overseas Decoration Building, #122 Zhenhua RD., Futian, Shenzhen, China



20/12 mm Center Space Encoders

Type: **EVQV6**



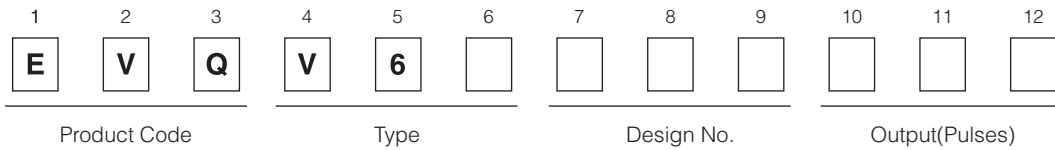
■ Features

- Multiple unit construction (achieved by mounting switches, LEDs, etc.) (center space) on the printed wiring board
- Good operability and high reliability

■ Recommended Applications

- Car audio products (adjustment of volume, tone, tuners, etc.)
- AV equipment (control of edit functions of VCRs, CD players, etc.)

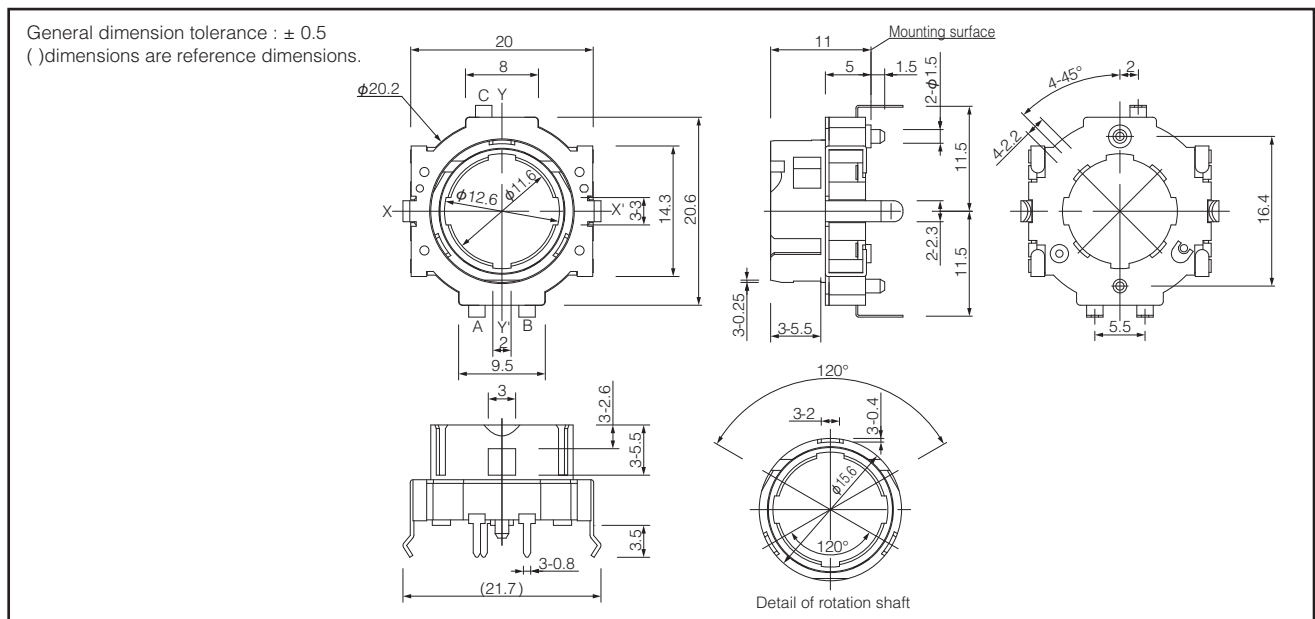
■ Explanation of Part Numbers



■ Specifications

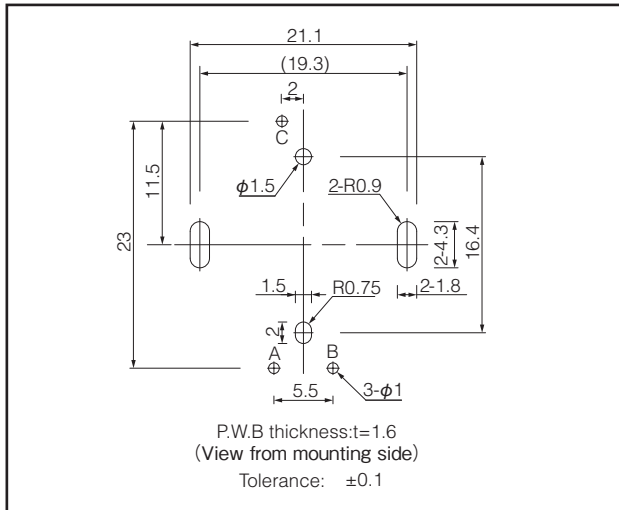
Mechanical	Rotation Angle	360 ° (Endless)
	Rotation Torque (Detents Torque)	7 mN·m, 11 mN·m, 18 mN·m
	Detents	18 points, 30 points
Electrical	Output Signal	Phase A and B
	Resolution	9 pulses/360 °, 15 pulses/360 °
	Rating	1 mA 10 V DC
	Contact Resistance	1 Ω max.
	Chattering	5 ms max.
	Insulation Resistance	50 mΩ min. (at 250 V DC)
Endurance	Dielectric Withstanding Voltage	300 VAC for 1 minute
	Rotation Life	30,000 cycles min.
Minimum Quantity/Packing Unit		100 pcs. (Tray Pack)
Quantity/Carton		2,000 pcs.

■ Dimensions in mm (not to scale)

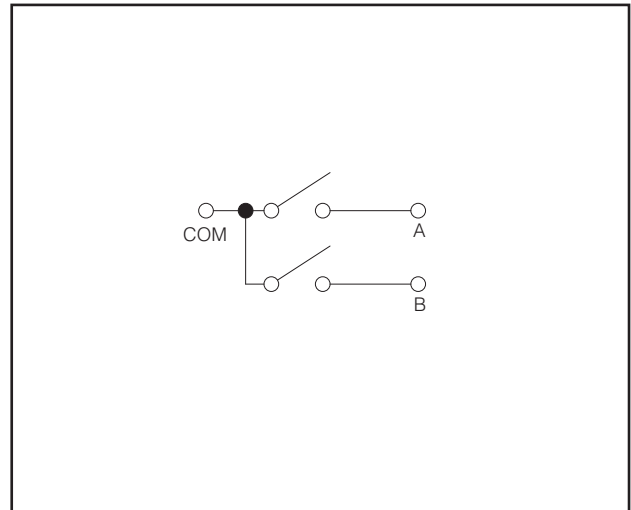


Design and specifications are each subject to change without notice. Ask factory for the current technical specifications before purchase and/or use.
Should a safety concern arise regarding this product, please be sure to contact us immediately.

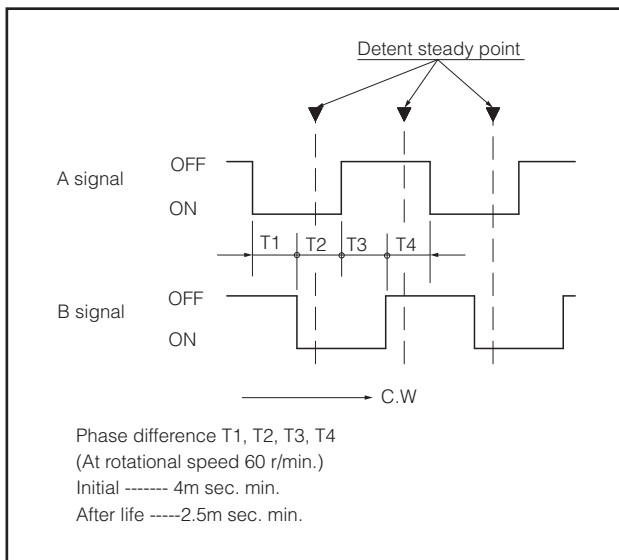
■ PWB mounting hole for reference



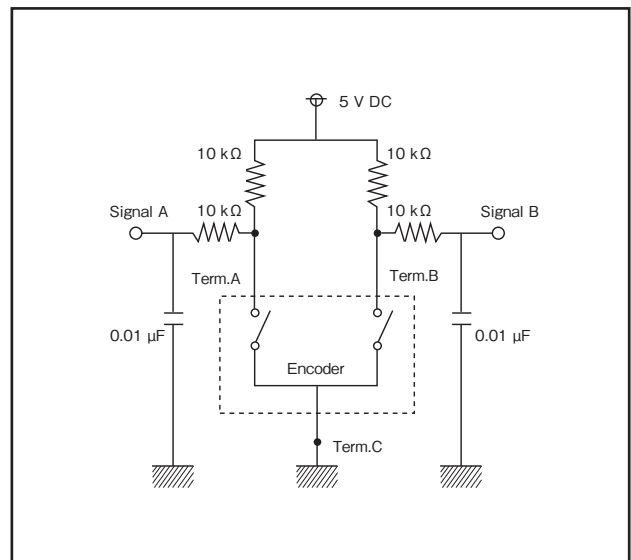
■ Circuit Diagram



■ Phase Difference



■ Test Circuit Diagram



Design and specifications are each subject to change without notice. Ask factory for the current technical specifications before purchase and/or use.
Should a safety concern arise regarding this product, please be sure to contact us immediately.