



Chipsmall Limited consists of a professional team with an average of over 10 year of expertise in the distribution of electronic components. Based in Hongkong, we have already established firm and mutual-benefit business relationships with customers from,Europe,America and south Asia,supplying obsolete and hard-to-find components to meet their specific needs.

With the principle of “Quality Parts,Customers Priority,Honest Operation,and Considerate Service”,our business mainly focus on the distribution of electronic components. Line cards we deal with include Microchip,ALPS,ROHM,Xilinx,Pulse,ON,Everlight and Freescale. Main products comprise IC,Modules,Potentiometer,IC Socket,Relay,Connector.Our parts cover such applications as commercial,industrial, and automotives areas.

We are looking forward to setting up business relationship with you and hope to provide you with the best service and solution. Let us make a better world for our industry!



## Contact us

Tel: +86-755-8981 8866 Fax: +86-755-8427 6832

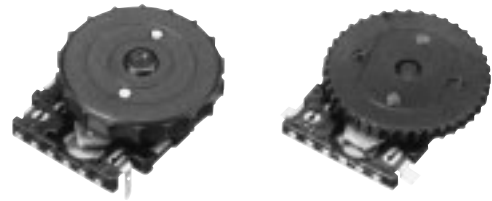
Email & Skype: info@chipsmall.com Web: www.chipsmall.com

Address: A1208, Overseas Decoration Building, #122 Zhenhua RD., Futian, Shenzhen, China



## Edge Drive Jog Encoders

Type: **EVQWK**



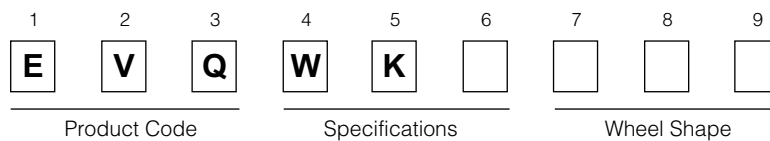
### ■ Features

- Tactile rotary operation and push operation
- Reflow soldering type available
- Anti-electrostatic measures available

### ■ Recommended Applications

- Memory paging and transmitting
- Menu selection and input for Portable Electronic Equipment

### ■ Explanation of Part Numbers

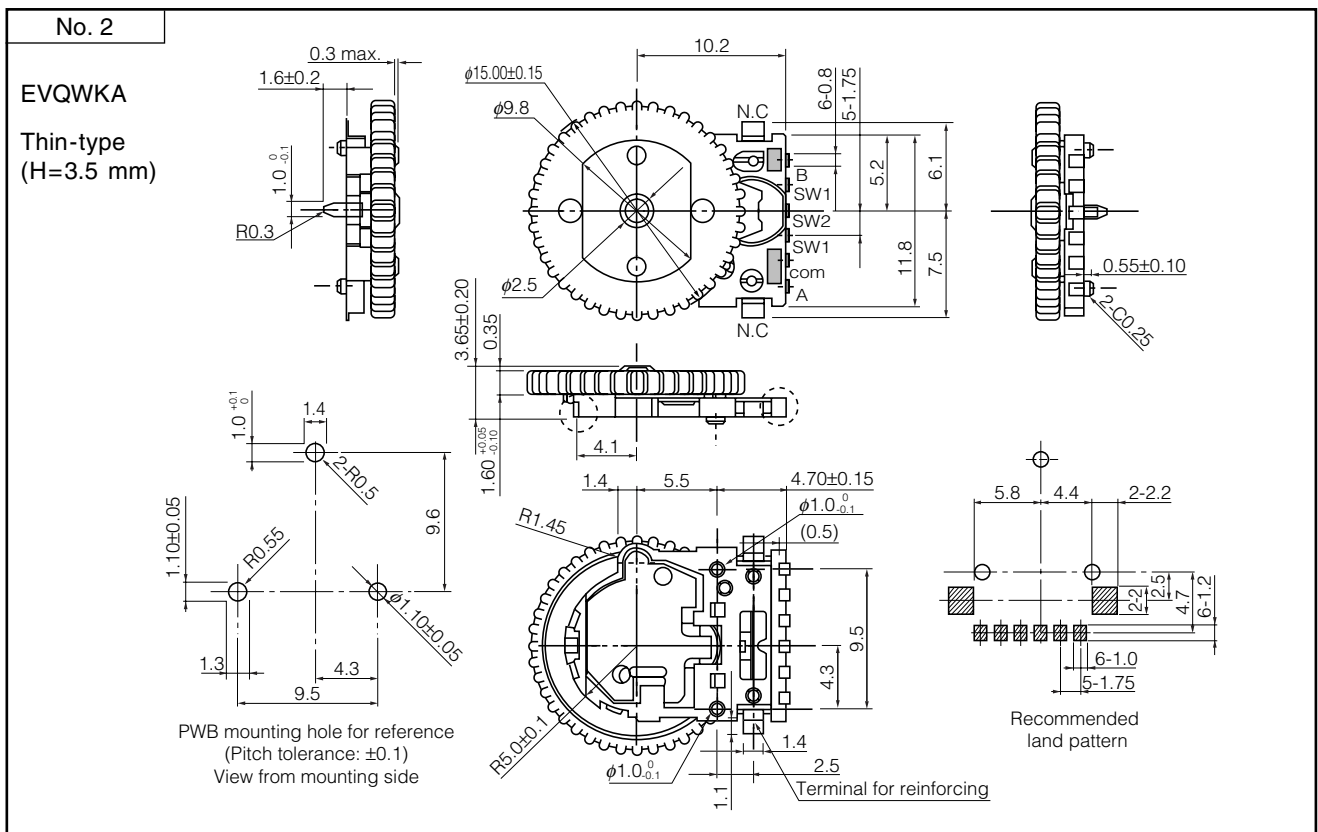
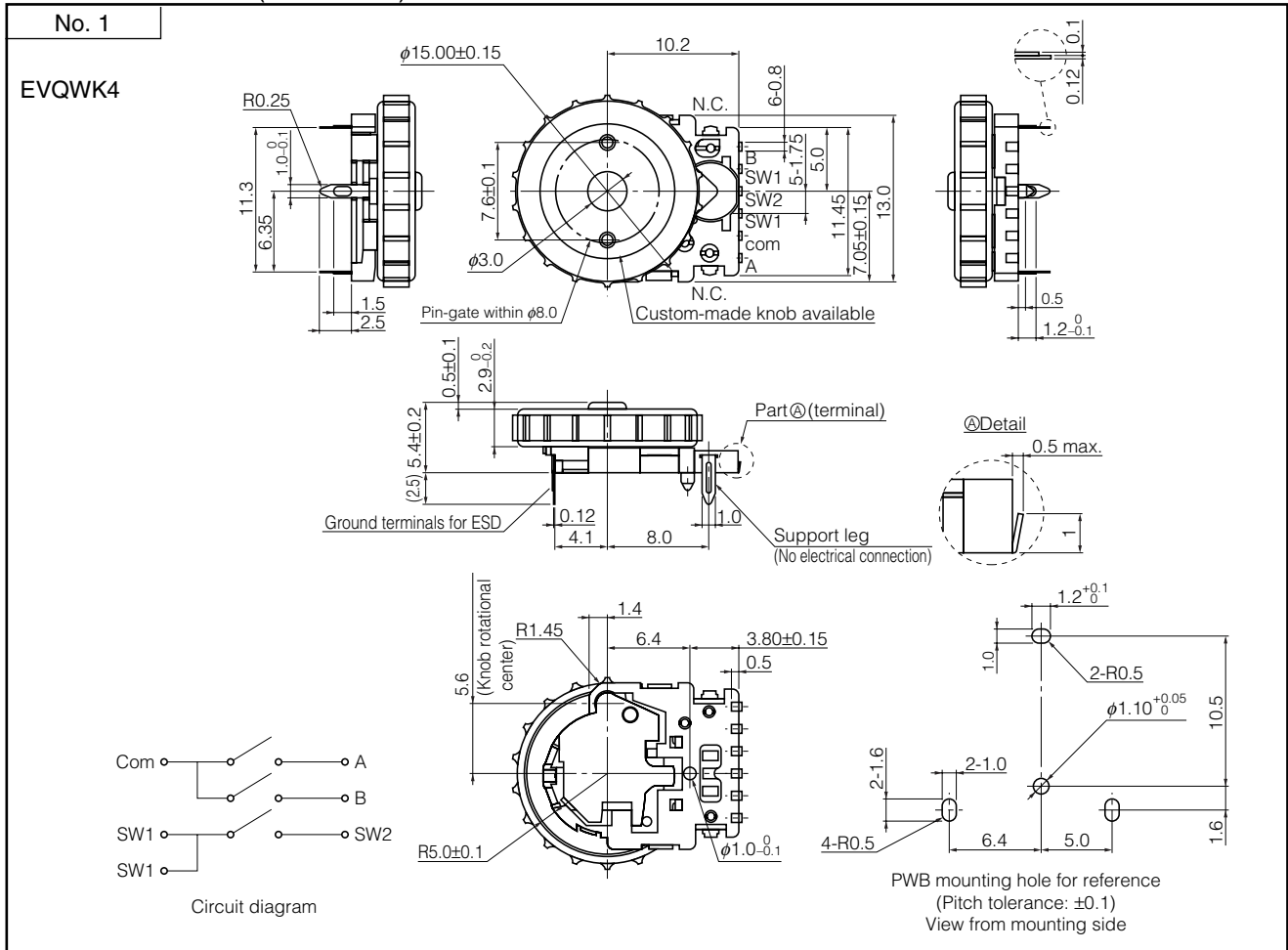


### ■ Specifications

Mechanical	Encoder	Detents	15 points
		Rotation Torque	1 mN·m to 10 mN·m
	Push-on Switch	Travel	0.3 mm (Thin-Type : 0.2 mm)
		Operating Force	4.5 N±1.5 N
Electrical	Encoder	Resolution	15 pulses/360 °
		Output Signals	2-Phases (A and B)
		Contact Resistance	1 Ω max.
	Push-on Switch	Contact Resistance	100 mΩ
Endurance	Encoder	Rotation Life	100000 cycles min.
	Push-on Switch	Operating Life	
Minimum Quantity/Packing Unit			100 pcs. (Tray Pack)
			400 pcs. Embossed Taping (Reel Pack)
Quantity/Carton			1000 pcs.
			1600 pcs.

Design and specifications are each subject to change without notice. Ask factory for the current technical specifications before purchase and/or use. Should a safety concern arise regarding this product, please be sure to contact us immediately.

## ■ Dimensions in mm (not to scale)



Design and specifications are each subject to change without notice. Ask factory for the current technical specifications before purchase and/or use. Should a safety concern arise regarding this product, please be sure to contact us immediately.