



Chipsmall Limited consists of a professional team with an average of over 10 year of expertise in the distribution of electronic components. Based in Hongkong, we have already established firm and mutual-benefit business relationships with customers from,Europe,America and south Asia,supplying obsolete and hard-to-find components to meet their specific needs.

With the principle of “Quality Parts,Customers Priority,Honest Operation,and Considerate Service”,our business mainly focus on the distribution of electronic components. Line cards we deal with include Microchip,ALPS,ROHM,Xilinx,Pulse,ON,Everlight and Freescale. Main products comprise IC,Modules,Potentiometer,IC Socket,Relay,Connector.Our parts cover such applications as commercial,industrial, and automotives areas.

We are looking forward to setting up business relationship with you and hope to provide you with the best service and solution. Let us make a better world for our industry!



Contact us

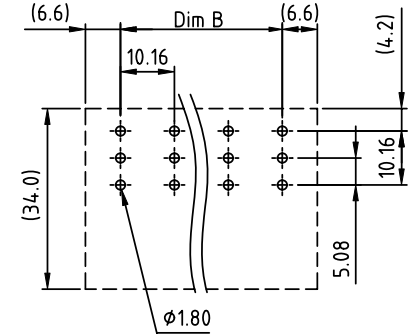
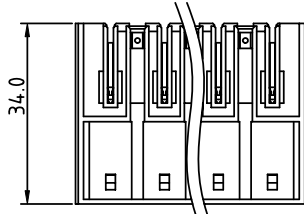
Tel: +86-755-8981 8866 Fax: +86-755-8427 6832

Email & Skype: info@chipsmall.com Web: www.chipsmall.com

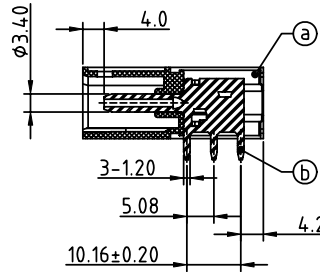
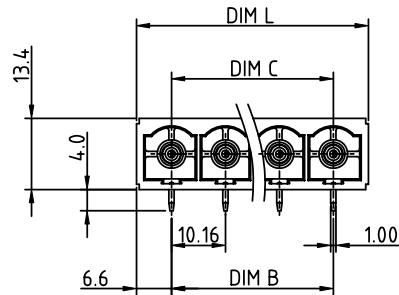
Address: A1208, Overseas Decoration Building, #122 Zhenhua RD., Futian, Shenzhen, China



PRODUCT NUMBER	PITCH
EWxx61x100J0G	10.16 mm



RECOMMENDED P.C.B LAYOUT
TOP VIEW



SECTION A-A

Material:

- Item① Terminal(housing):Thermoplastic(UL 94 - V0)
- Item② Male contact pin: Copper Gold plated

Electrical: cULus

- Voltage rating:300V
- Current rating:55A
- Withstanding Voltage:1.6 KV
- Operating temperature:-40°C to +115°C
- Soldering temperature:260°C±5°C/5 Sec
- Safety Approval: cULus

Dimension

Dim L	$N \times 10.16 + 3.04$
Dim B	$(N-1) \times 10.16$
Dim C	$(N-1) \times 10.16$

N=Number of poles

POLES	Tolerance
2p-5p	±0.25
6p-8p	±0.35
9p-12p	±0.45

PART NO.: EW xx 61 x 1 00J0 G

Solid block	No. of poles	Color	RoHS compliant
0	2	Black (RAL9005)	(lead<4%) In copper Alloy
02	3	Red (RAL3001/D)	
03	4	Orange(RAL2011/P)	
...	5	Yellow(RAL1018/A)	
...	6	Green(RAL6018/T)	
12	8	Blue (RAL5015/A)	
	9	Grey(RAL7035/D)	
	9	White(RAL1102)	
	C	Green(RAL6018/U)	

mat'l. code		surface ASME Y14.5	tolerance ASME Y14.5	projection	product family TERMINAL BLOCK
ltr	ecn no	dr	date	tolerances unless otherwise specified	title TERMINAL BLOCK
				angles $X \pm 0.5$ $X.X \pm 0.3$ $X^* \pm 1^*$ $X.XX \pm 0.1$	PLUGGABLE SOCKET,PCB DOWN,CLOSE RIGHT ANGLE
				scale	dwg no EWxx61x100J0G
				dr EVIN ZHONG 042314	sheet 1 of 1
				enrg EVIN ZHONG 042314	size A4
				chr HANKE FENG 042314	
				appd SHI JUN 042314	type CUSTOMER Drawing
sheet index	revision sheet	A	1		