



Chipsmall Limited consists of a professional team with an average of over 10 year of expertise in the distribution of electronic components. Based in Hongkong, we have already established firm and mutual-benefit business relationships with customers from,Europe,America and south Asia,supplying obsolete and hard-to-find components to meet their specific needs.

With the principle of “Quality Parts,Customers Priority,Honest Operation,and Considerate Service”,our business mainly focus on the distribution of electronic components. Line cards we deal with include Microchip,ALPS,ROHM,Xilinx,Pulse,ON,Everlight and Freescale. Main products comprise IC,Modules,Potentiometer,IC Socket,Relay,Connector.Our parts cover such applications as commercial,industrial, and automotives areas.

We are looking forward to setting up business relationship with you and hope to provide you with the best service and solution. Let us make a better world for our industry!



Contact us

Tel: +86-755-8981 8866 Fax: +86-755-8427 6832

Email & Skype: info@chipsmall.com Web: www.chipsmall.com

Address: A1208, Overseas Decoration Building, #122 Zhenhua RD., Futian, Shenzhen, China



EW-500

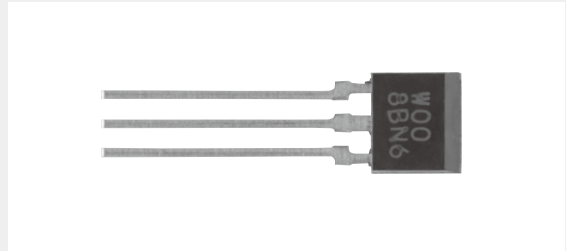
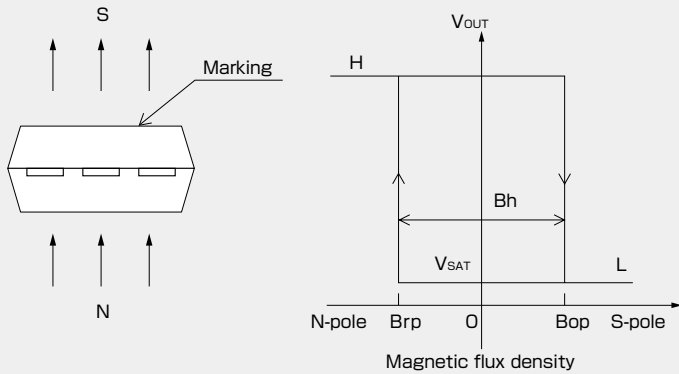
Shipped in bulk(500pcs/Bag)

EW-500 is composed of a Ultra-high sensitive InSb Hall element and a signal processing IC chip in a package.

Bipolar Hall Effect Latch	Supply Voltage 4.5~18V	Hall Element Continuous Excitation	Low Sensitivity Bop: 10mT	Output Open Collector	SIP
---------------------------	------------------------	------------------------------------	---------------------------	-----------------------	-----

Notice:It is requested to read and accept "IMPORTANT NOTICE" written on the back of the front cover of this catalogue.

●Operational Characteristics



●Absolute Maximum Ratings (Ta=25°C)

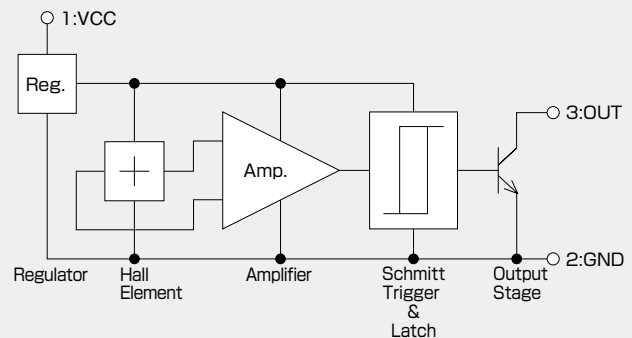
Item	Symbol	Min.	Max.	Unit
Supply Voltage	V _{CC}	-0.3	18 ^(*)	V
Output H Voltage	V _{O(off)}	-0.3	V _{CC}	V
Output L Current	I _{SINK}	0	15	mA
Storage Temperature Range	T _{STG}	-40	+125	°C

(*) Please refer to Supply Voltage Derating Curve.

●Recommended Operating Conditions

Item	Symbol	Min.	Typ.	Max.	Unit
Supply Voltage	V _{CC}	4.5	12	18	V
Operating Temperature Range	T _{opr}	-30	+25	+115	°C

●Functional Block Diagram



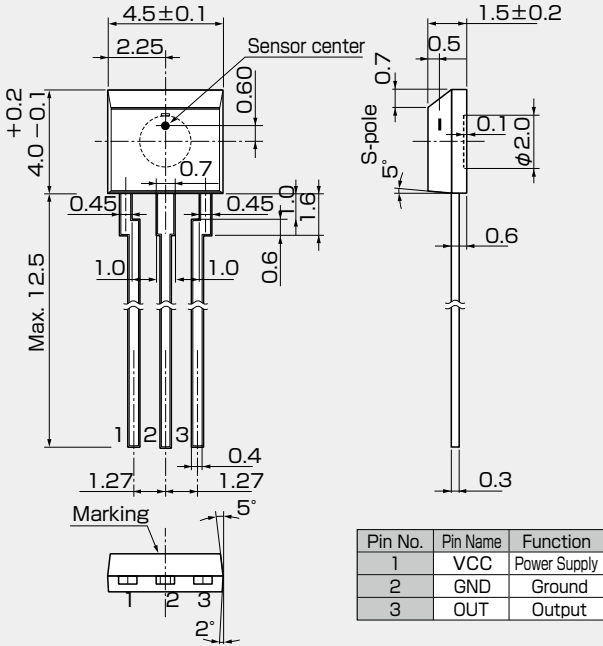
●Magnetic and Electrical Characteristics (Ta=25°C)

Item	Symbol	Conditions	Min.	Typ.	Max.	Unit
Operating Point	Bop	V _{CC} =12V	5	10	20	mT
Releasing Point	Brp	V _{CC} =12V	-20	-10	-5	mT
Hysteresis	Bh	V _{CC} =12V	10	20		mT
Output Saturation Voltage	V _{SAT}	V _{CC} =12V, OUT"L", I _{SINK} =10mA			0.4	V
Output Leakage Current	I _{LEAK}	V _{CC} =12V, OUT"H", V _{OUT} =12V			1	μA
Supply Current	I _{CC}	V _{CC} =12V, OUT"H"			8	mA

1 [mT] = 10 [Gauss]

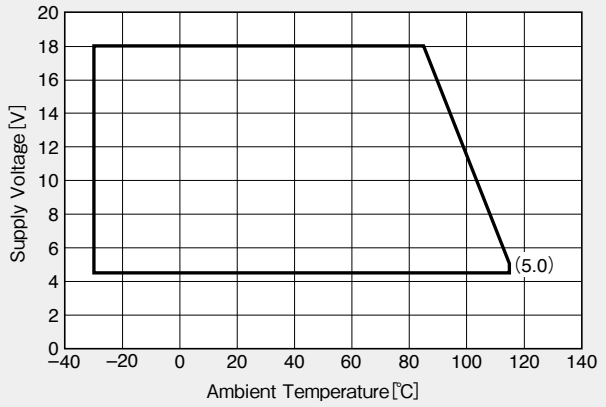
•Please be aware that our products are not intended for use in life support equipment, devices, or systems. Use of our products in such applications requires the advance written approval of our sales staff.
 Certain applications using semiconductor devices may involve potential risks of personal injury, property damage or loss of life. In order to minimize these risks, adequate design and operating safeguards should be provided by the customer to minimize inherent or procedural hazards. Inclusion of our products in such applications is understood to be fully at the risk of the customer using our devices or systems.

●Package (Unit:mm)

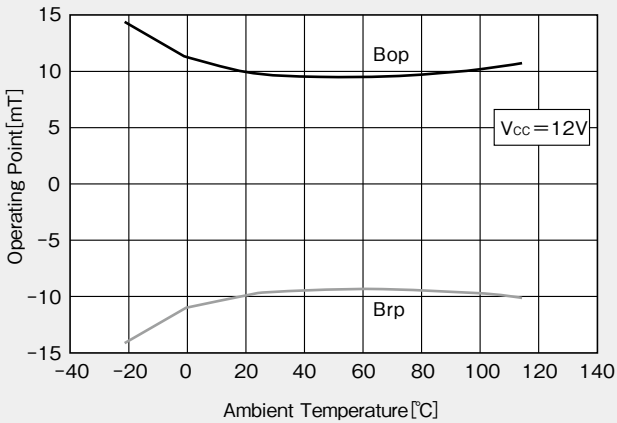


Note1) The sensor center is located within the $\phi 0.3$ mm circle.
 Note2) The sensor part is located 0.5mm(typ.) far from marking surface.

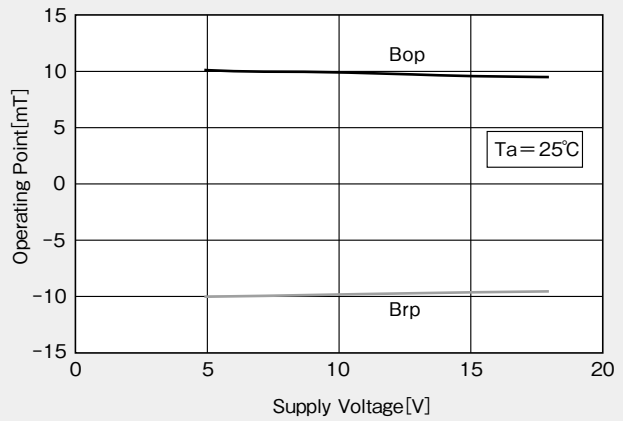
●Supply Voltage



●Temperature Dependence of Bop, Brp



●Supply Voltage Dependence of Bop, Brp



c

d

i

p

q