



Chipsmall Limited consists of a professional team with an average of over 10 year of expertise in the distribution of electronic components. Based in Hongkong, we have already established firm and mutual-benefit business relationships with customers from,Europe,America and south Asia,supplying obsolete and hard-to-find components to meet their specific needs.

With the principle of “Quality Parts,Customers Priority,Honest Operation,and Considerate Service”,our business mainly focus on the distribution of electronic components. Line cards we deal with include Microchip,ALPS,ROHM,Xilinx,Pulse,ON,Everlight and Freescale. Main products comprise IC,Modules,Potentiometer,IC Socket,Relay,Connector.Our parts cover such applications as commercial,industrial, and automotives areas.

We are looking forward to setting up business relationship with you and hope to provide you with the best service and solution. Let us make a better world for our industry!



## Contact us

Tel: +86-755-8981 8866 Fax: +86-755-8427 6832

Email & Skype: info@chipsmall.com Web: www.chipsmall.com

Address: A1208, Overseas Decoration Building, #122 Zhenhua RD., Futian, Shenzhen, China



Standard Faders for Audio Mixers  
Slide Potentiometers

Japan  
Malaysia

Type: **EWAP1/EWAP3/EWAQ1/EWAQ3**



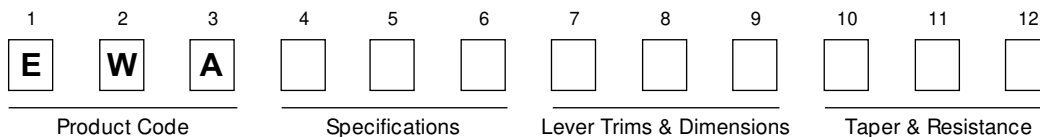
### ■ Features

- Excellent operational feel:  
Clear clicking action for heat controllers.  
Smooth sliding action for Electronic Musical Instruments.
- Low noise, long operating life, highly-accurate attenuation.
- Light operating force available.

### ■ Recommended Applications

- Fade control for popular types of audio mixers, musical keyboards
- Heat control or mode switching for automobile air conditioners
- Measurement Instruments

### ■ Explanation of Part Numbers

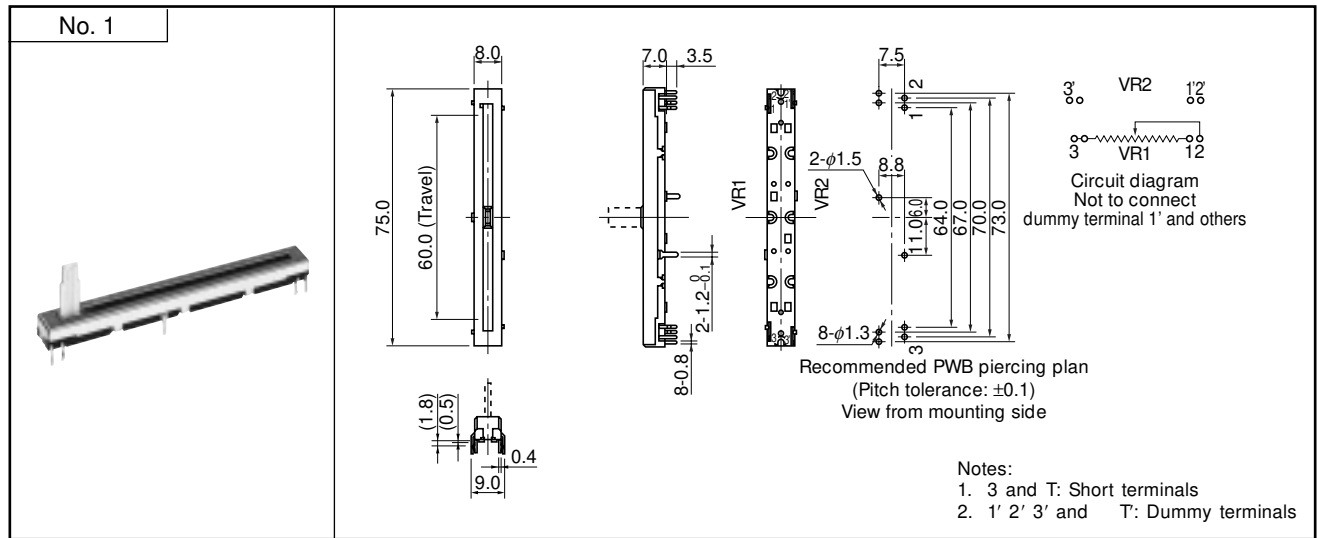


### ■ Specifications

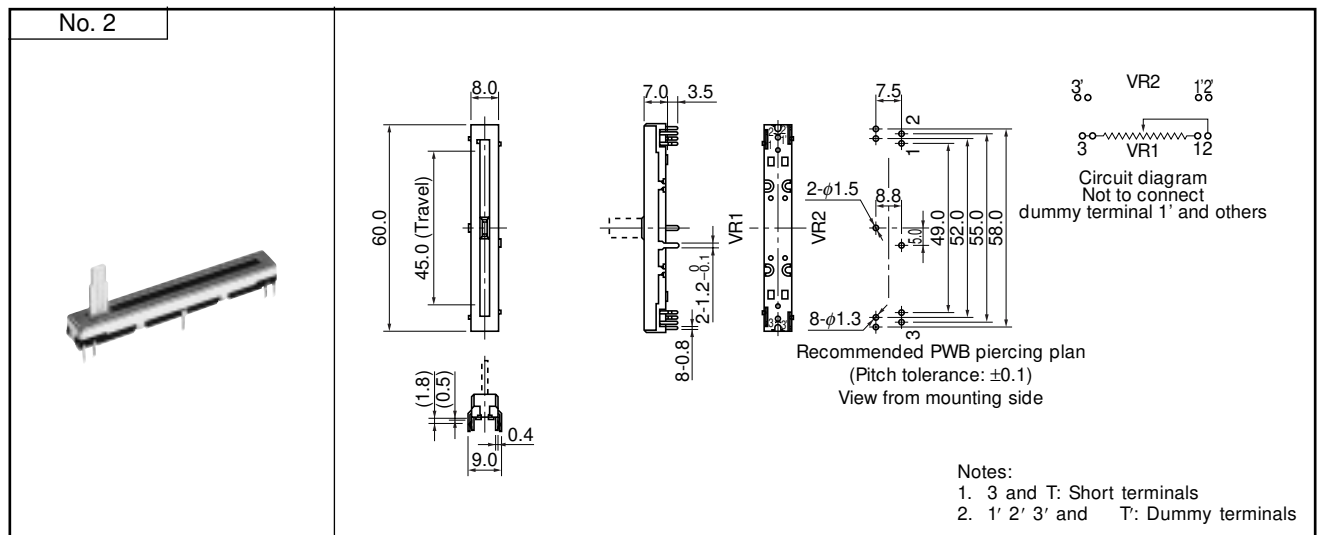
	Taper			
	60.0 mm Type	Taper B	Others	
Power Rating	60.0 mm Type	0.12 W	0.06 W	
	45.0 mm Type	0.10 W	0.05 W	
Resistance	10 kΩ, 20 kΩ, 50 kΩ	Single±20 %	+40 % -20 %	
		Dual±20 %	—	
Taper	A, B, D, Y (Custom tapers also available)			
Maximum Attenuation	Single type: 100 dB min.(Except taper B) Dual type: 70 dB min.(Except taper B)			
Insulation Resistance	100 MΩ min. at 200 Vdc			
Dielectric Withstand Voltage	300 Vac for 1 minute			
Operating Force	0.1 N to 1.5 N			
Operating Life	30000 cycles min.			
Minimum Quantity/Packing Unit	EWAP1	50 pcs. (Tray Pack)		
	EWAP3			
	EWAQ1	50 pcs. (Tray Pack)		Lever length < 20.0 mm
	EWAQ3	25 pcs. (Tray Pack)		Lever length > 21.0 mm
Quantity/Carton	EWAP1	500 pcs.		
	EWAP3			
	EWAQ1	500 pcs.		Lever length < 20.0 mm
	EWAQ3	250 pcs.		Lever length > 21.0 mm

■ Dimensions in mm (not to scale)

- 60.0 mm Travel, Single .....EWAQ1
- Dual .....EWAQ3



- 45.0 mm Travel, Single .....EWAP1
- Dual .....EWAP3



Notes: Refer to the drawing below for terminal alignment of dual slide potentiometers and single, dc version.

### Terminal Numbers of Single, DC Version

