



Chipsmall Limited consists of a professional team with an average of over 10 year of expertise in the distribution of electronic components. Based in Hongkong, we have already established firm and mutual-benefit business relationships with customers from,Europe,America and south Asia,supplying obsolete and hard-to-find components to meet their specific needs.

With the principle of “Quality Parts,Customers Priority,Honest Operation,and Considerate Service”,our business mainly focus on the distribution of electronic components. Line cards we deal with include Microchip,ALPS,ROHM,Xilinx,Pulse,ON,Everlight and Freescale. Main products comprise IC,Modules,Potentiometer,IC Socket,Relay,Connector.Our parts cover such applications as commercial,industrial, and automotives areas.

We are looking forward to setting up business relationship with you and hope to provide you with the best service and solution. Let us make a better world for our industry!



## Contact us

Tel: +86-755-8981 8866 Fax: +86-755-8427 6832

Email & Skype: info@chipsmall.com Web: www.chipsmall.com

Address: A1208, Overseas Decoration Building, #122 Zhenhua RD., Futian, Shenzhen, China

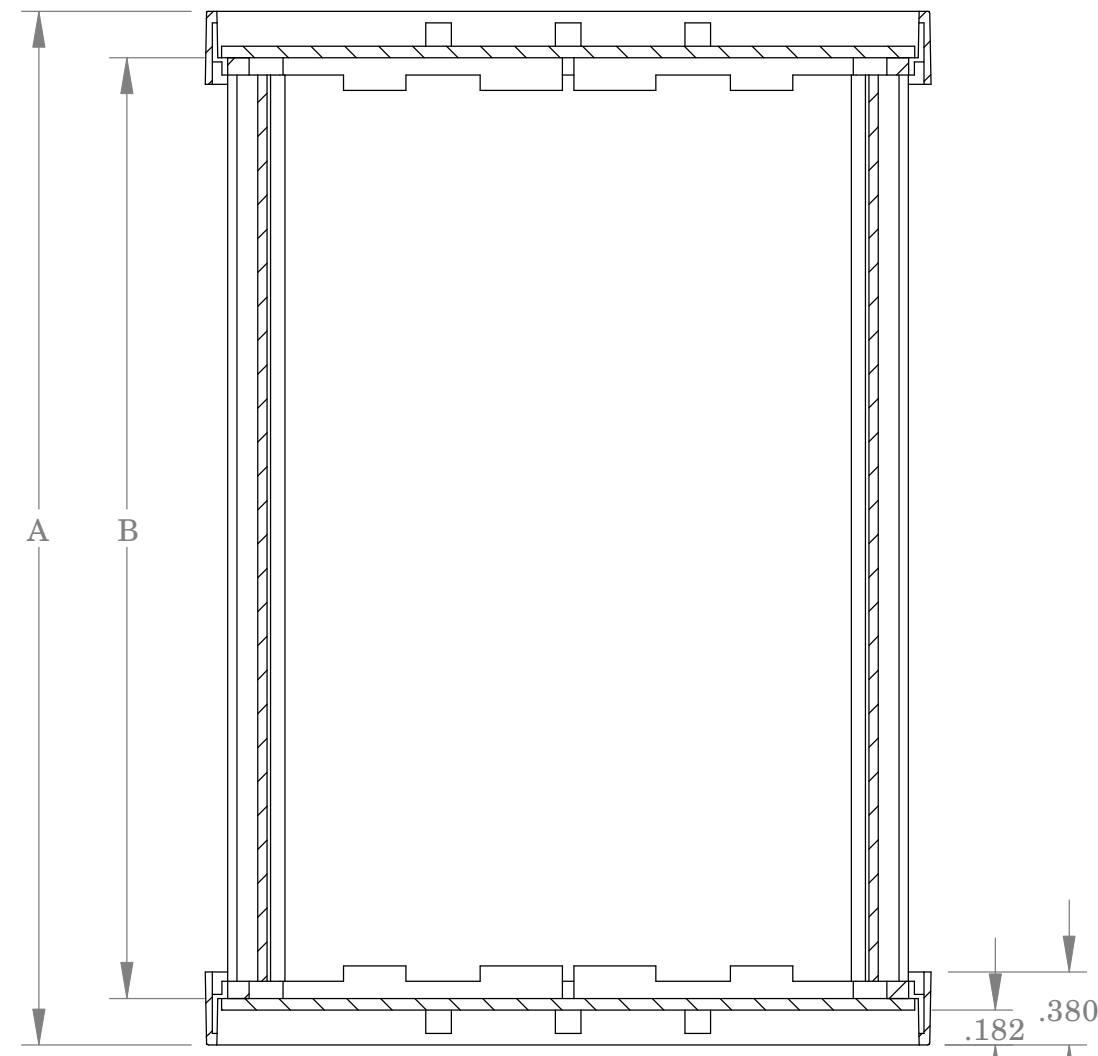
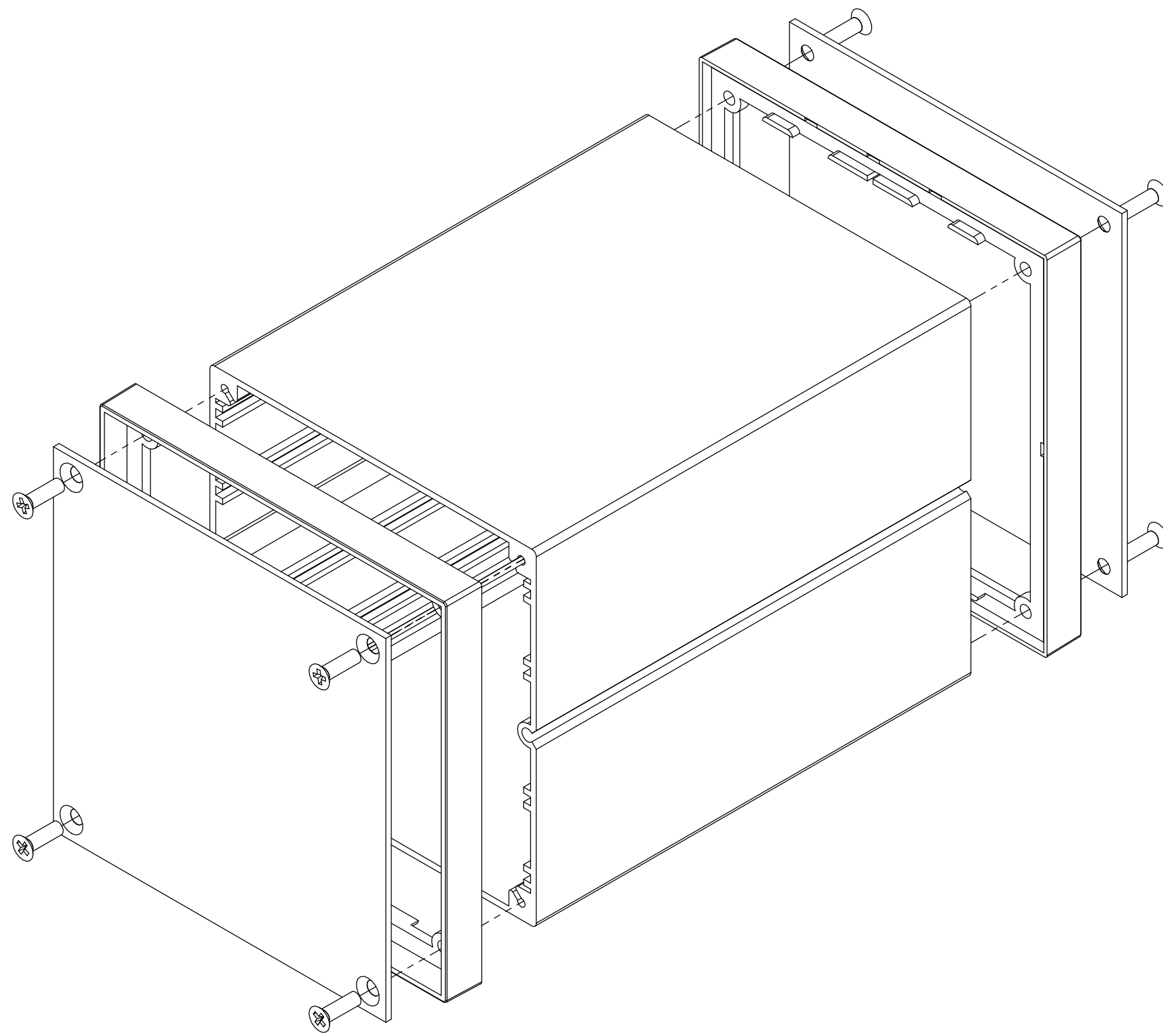


PART NAME

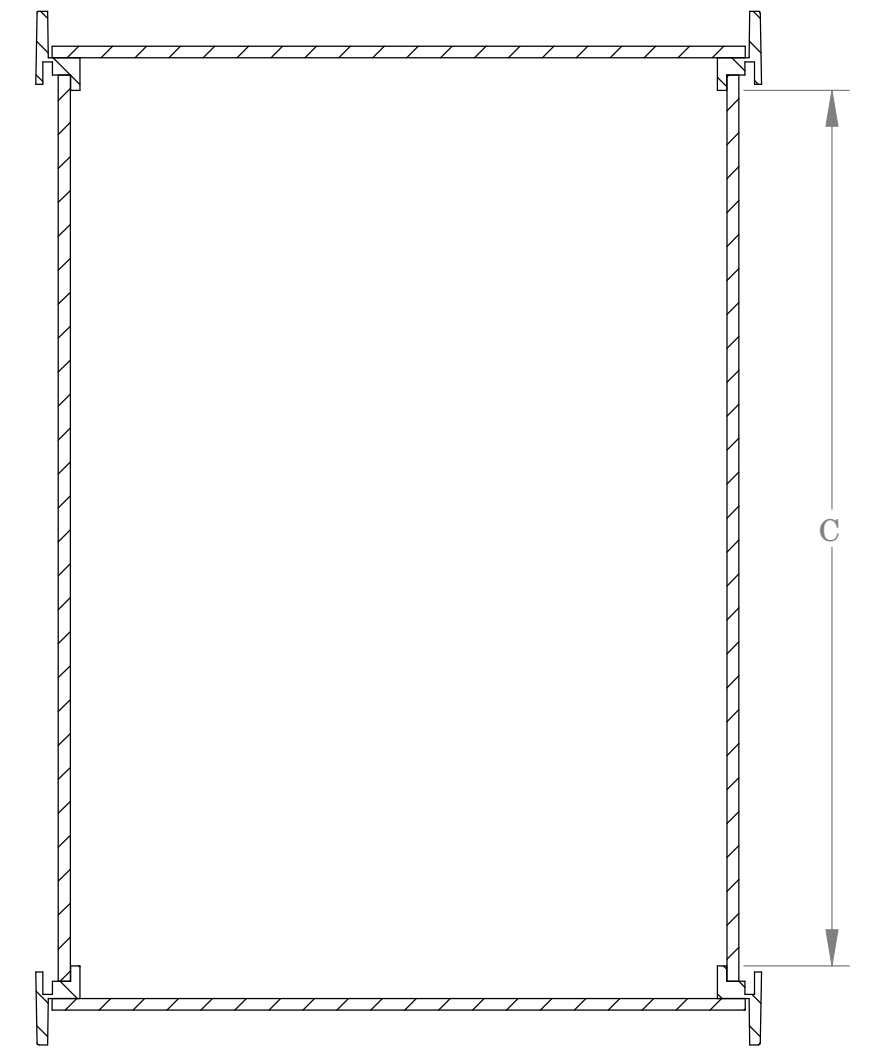
EXTRUDED ALUMINUM BOX

PART No.

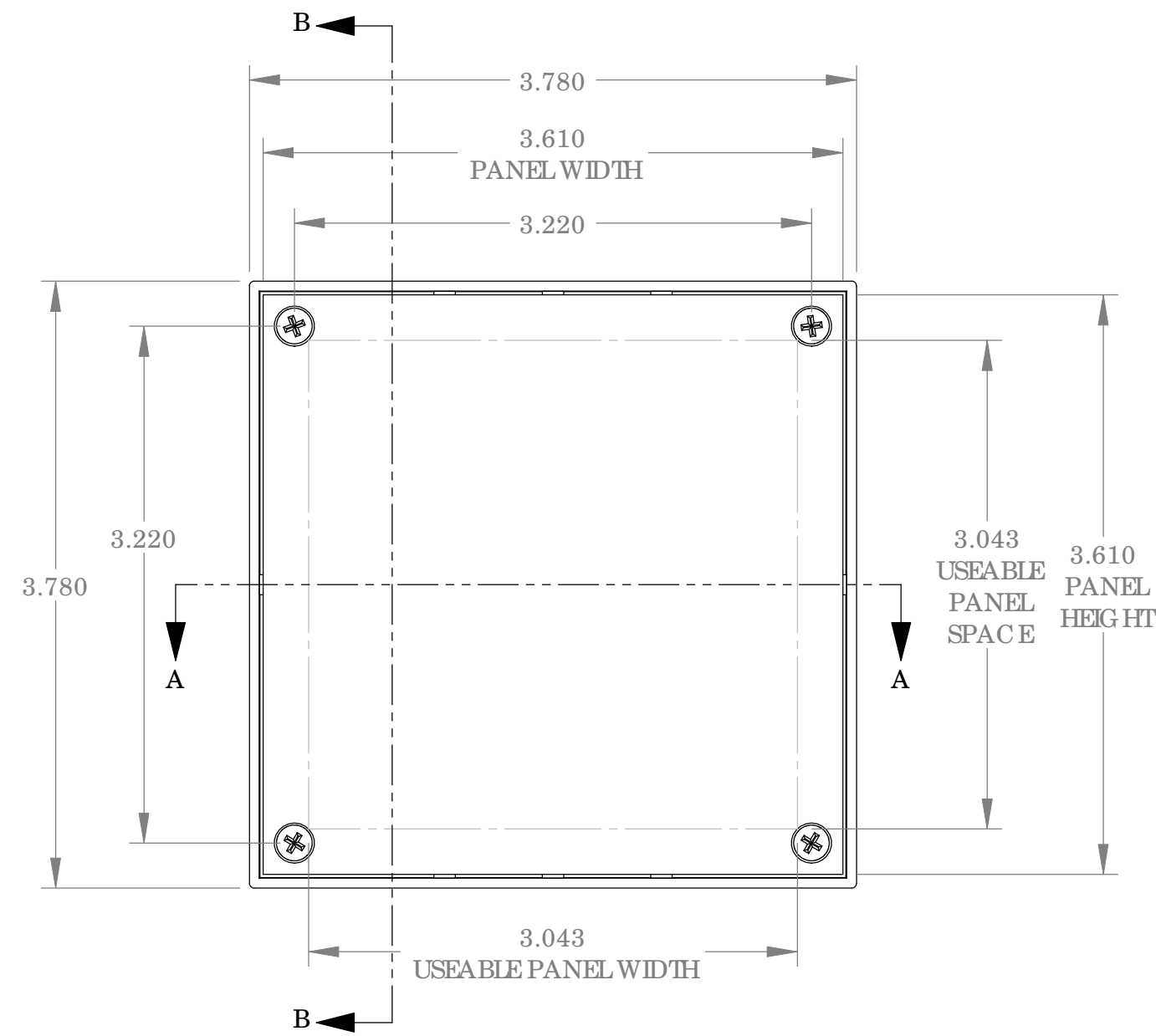
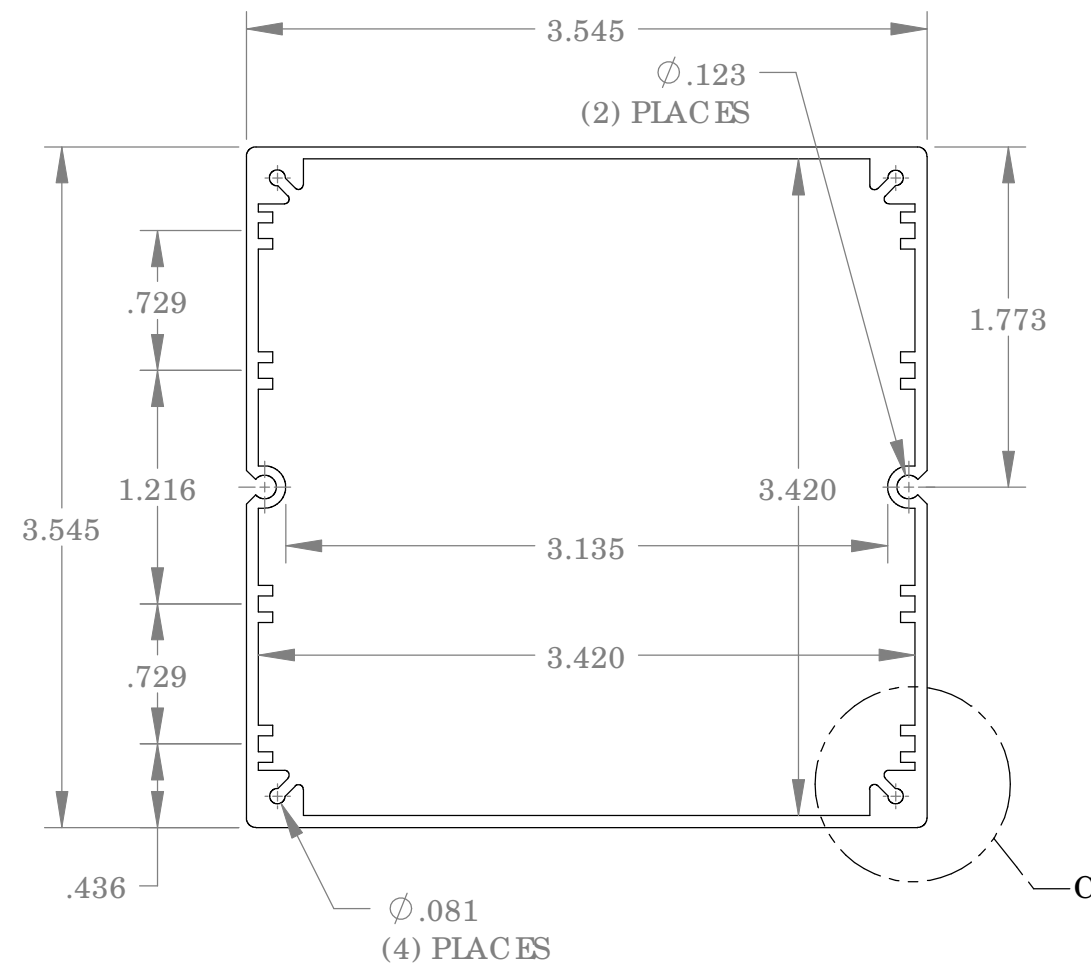
EX-4541 & EX-4542 & EX-4543



SECTION A-A



SECTION B-B

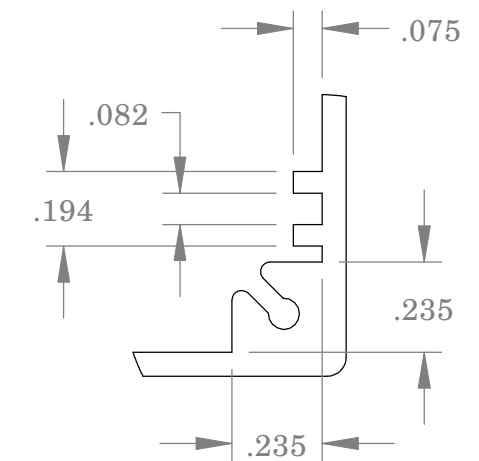


**MATERIAL:**  
 BODY - ALUMINUM  
 BEZEL - UL94V-0 ABS  
 PANEL - .060 THK ALUMINUM

**FINISH:**  
 BODY - SILVER COATING  
 BEZEL - BLACK  
 PANEL - NATURAL

EIGHT (8) M3 x 10mm FLATHEAD SCREWS SUPPLIED TO ATTACH END PANELS AND BEZELS TO BODY (ALTERNATE SCREW # 4 x 5/8 FLATHEAD THREAD CUTTING SCREWS CAN BE SUBSTITUTED)  
 RECOMMEND INSERTION TO RQUE 6-8 in-lb s.

ALL DIMENSIONS HAVE ±.015 TOLERANCE UNLESS OTHERWISE SPECIFIED



DETAIL C

PART No.	EXTERNAL		INTERNAL CLEARANCE	
	A	B	C	
EX-4541	5.38	4.90	4.56	
EX-4542	6.96	6.48	6.14	
EX-4543	9.32	8.84	8.50	