



Chipsmall Limited consists of a professional team with an average of over 10 year of expertise in the distribution of electronic components. Based in Hongkong, we have already established firm and mutual-benefit business relationships with customers from,Europe,America and south Asia,supplying obsolete and hard-to-find components to meet their specific needs.

With the principle of “Quality Parts,Customers Priority,Honest Operation,and Considerate Service”,our business mainly focus on the distribution of electronic components. Line cards we deal with include Microchip,ALPS,ROHM,Xilinx,Pulse,ON,Everlight and Freescale. Main products comprise IC,Modules,Potentiometer,IC Socket,Relay,Connector.Our parts cover such applications as commercial,industrial, and automotives areas.

We are looking forward to setting up business relationship with you and hope to provide you with the best service and solution. Let us make a better world for our industry!



Contact us

Tel: +86-755-8981 8866 Fax: +86-755-8427 6832

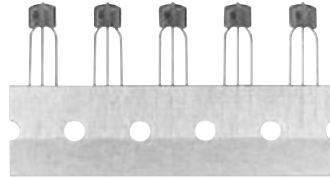
Email & Skype: info@chipsmall.com Web: www.chipsmall.com

Address: A1208, Overseas Decoration Building, #122 Zhenhua RD., Futian, Shenzhen, China



EMI Filters

Series: **EXCEMT**



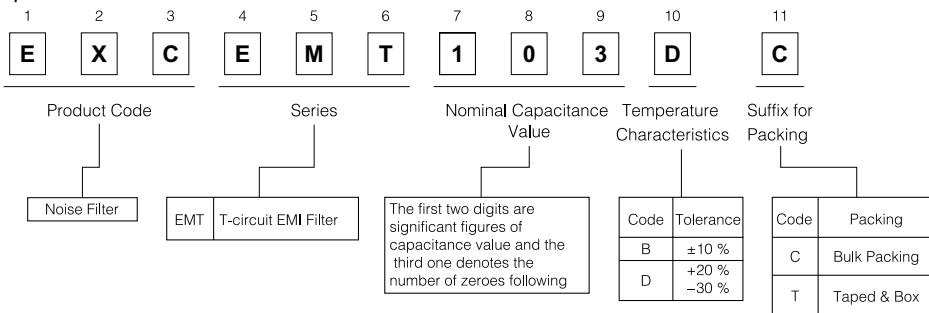
■ Features

- Panasonic EMI filters are small in size and taped type is available for automatic insertion machines.
- Filters are connected as a T network and have excellent noise filtering characteristics for high frequency.
- Preformed leads provide better solderability for through-hole P.W.B.
- Approved under the ISO 9001 system.

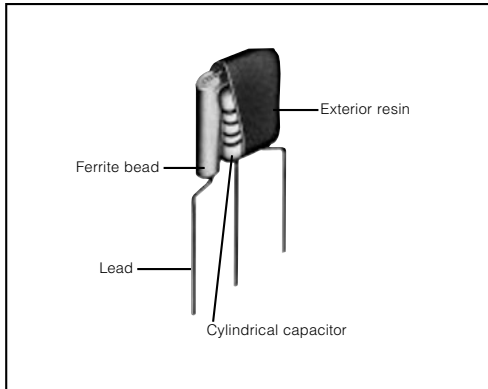
■ Recommended Applications

- Digital equipment such as Personal computers, Word processors, Printers, HDD, PPC, and Communication equipment
- Digital audio and Video equipment
- Power supply equipment such as AC adapter and Switching power supply
- Electronic automotive equipment such as Engine controls, Panels and Audio systems
- Electric musical instruments and other digital devices

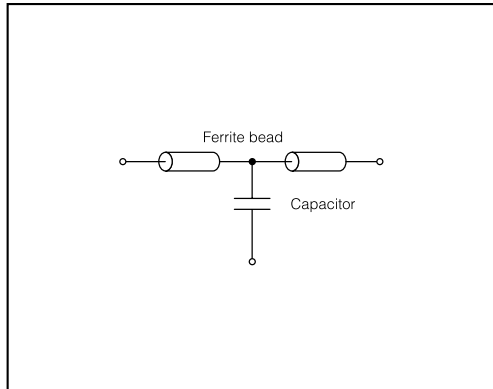
■ Explanation of Part Numbers



Construction



Schematic



Ratings

Category Temperature Range (Operating Temp. Range): -25 °C to +85 °C

Part Number	Rated Voltage (V DC)	Capacitance ⁽¹⁾ (pF)	Tolerance (%)	Temperature Characteristics ⁽²⁾	Rated Current (A DC)	25 dB Attenuation ⁽³⁾ Frequency (MHz)	15 dB Attenuation ⁽³⁾ Frequency (MHz)
EXCEMT220B□	50	22	±20	YB	5	800 to 1000	600 to 1000
EXCEMT470B□	50	47	±20	YB	5	450 to 700	400 to 1000
EXCEMT101B□	50	100	±20	YB	5	350 to 550	250 to 900
EXCEMT221B□	50	220	±20	YB	5	250 to 400	150 to 500
EXCEMT271B□	50	270	±20	YB	5	250 to 400	150 to 500
EXCEMT471B□	50	470	±20	YB	5	150 to 350	70 to 500
EXCEMT102B□	50	1000	±20	YB	5	100 to 250	50 to 400
EXCEMT222D□	16	2200	±20	YD	5	50 to 200	30 to 400
EXCEMT332D□	16	3300	±20	YD	5	40 to 160	25 to 400
EXCEMT103D□	16	10000	±30	YD	5	25 to 120	15 to 400

↑ Lead Cut Type: C, Taped Type: T

(1) Measurement Temperature: +20 °C, Measurement Frequency: 1 kHz

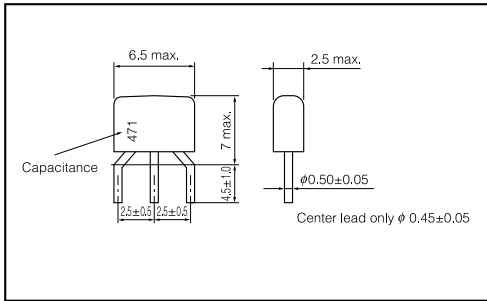
(2) Temperature Characteristics YB: Maximum capacitance change is ±10 % over the temperature range of -25 °C to +85 °C in reference to +20 °C

YD: Maximum capacitance change is +20, -30 % over the temperature range of -25 °C to +85 °C in reference to +20 °C

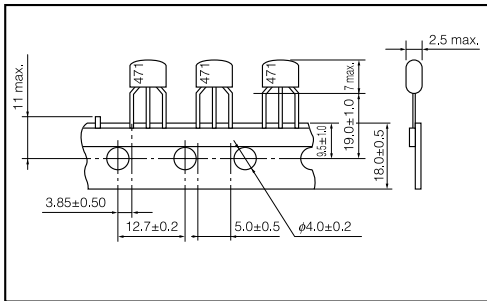
(3) Measurement Temperature: +20 °C

Note: Please inquire about the particular capacitance value, on a range of 22 to 10000 pF.

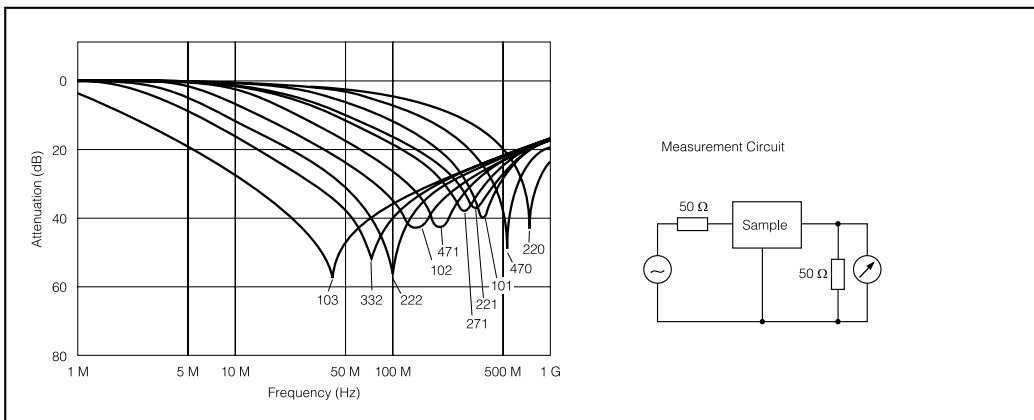
■ Dimensions in mm (not to scale)



■ Standard Lead Taping in mm (not to scale)



■ Typical Attenuation Characteristics



■ Packing Methods

Part Number	Standard Quantity	Style	Weight (mg/pcs.)
EXCEMT□□□□C	200 pcs./Bag	Bulk	216
EXCEMT□□□□T	2000 pcs./Box	Flat box	291



Safety Precautions

- The filter may fail in a short-circuit mode (or open-circuit mode) when subjected to severe conditions of electrical and/or environmental stresses beyond their specified rating, resulting in burnout or glowing in the worst case. Study operation of the circuit.
- Soldering Flux: Use rosin type or nonhalogenous type flux.
- Cleaning Solvent: Use alcohol type. Inquire for other type of cleaning solvent.
- Avoid application of static electricity to the filter.
- The filter is deteriorated in the circuit where surge or other abnormal voltage is apt to occur. Study operation of the circuit.
- Excessive mechanical stress may damage the components. Take care in handling.
- Store under temperature -5°C to $+40^{\circ}\text{C}$ and relative humidity 40 % to 60 %. Avoid rapid changes of temperature and humidity.
- Use the components within one year after our delivery.
- This catalog shows the quality and performance of unit component. For quality assurance, please confirm your specific requirements with us. Before design-in, be sure to evaluate and verify the product by mounting it in your product.