



Chipsmall Limited consists of a professional team with an average of over 10 year of expertise in the distribution of electronic components. Based in Hongkong, we have already established firm and mutual-benefit business relationships with customers from,Europe,America and south Asia,supplying obsolete and hard-to-find components to meet their specific needs.

With the principle of “Quality Parts,Customers Priority,Honest Operation,and Considerate Service”,our business mainly focus on the distribution of electronic components. Line cards we deal with include Microchip,ALPS,ROHM,Xilinx,Pulse,ON,Everlight and Freescale. Main products comprise IC,Modules,Potentiometer,IC Socket,Relay,Connector.Our parts cover such applications as commercial,industrial, and automotives areas.

We are looking forward to setting up business relationship with you and hope to provide you with the best service and solution. Let us make a better world for our industry!



## Contact us

Tel: +86-755-8981 8866 Fax: +86-755-8427 6832

Email & Skype: info@chipsmall.com Web: www.chipsmall.com

Address: A1208, Overseas Decoration Building, #122 Zhenhua RD., Futian, Shenzhen, China





PART NAME

## EXTRUDED ALUMINUM IP65 PCB ENCLOSURES

PART No.

EXN-23354 (SEE TABULATION FOR COMBINATIONS)

REVISION DATE

10-23-15

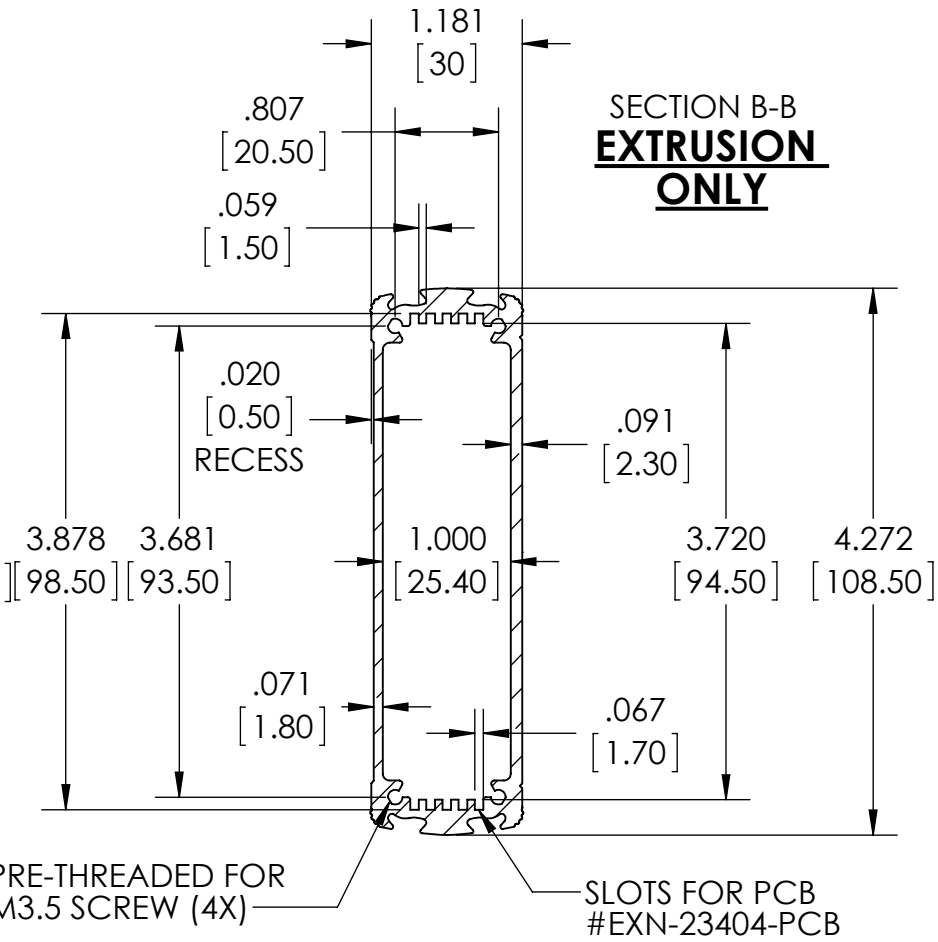
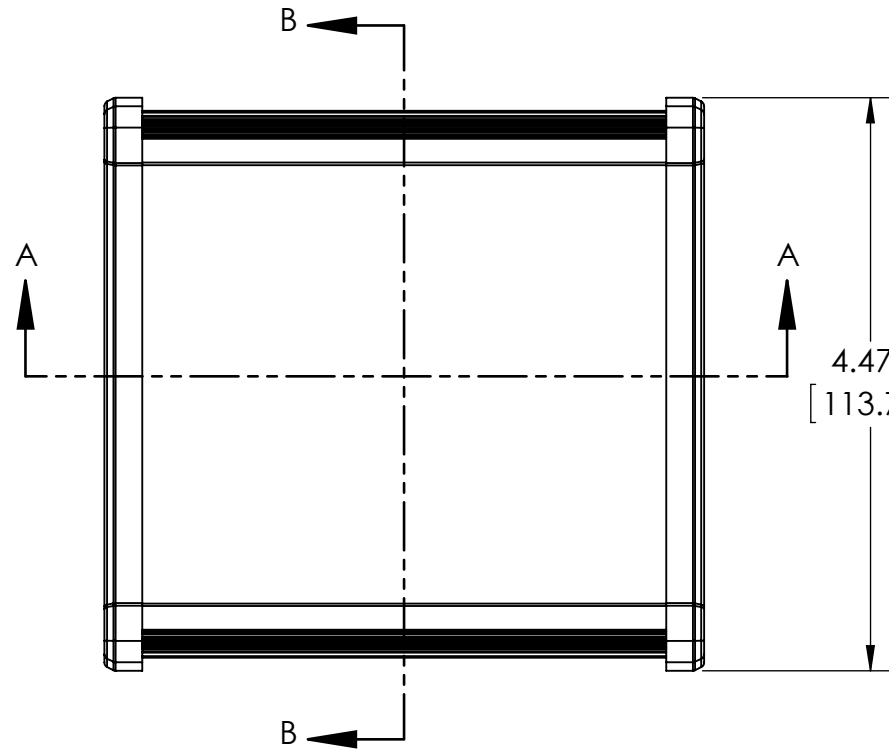
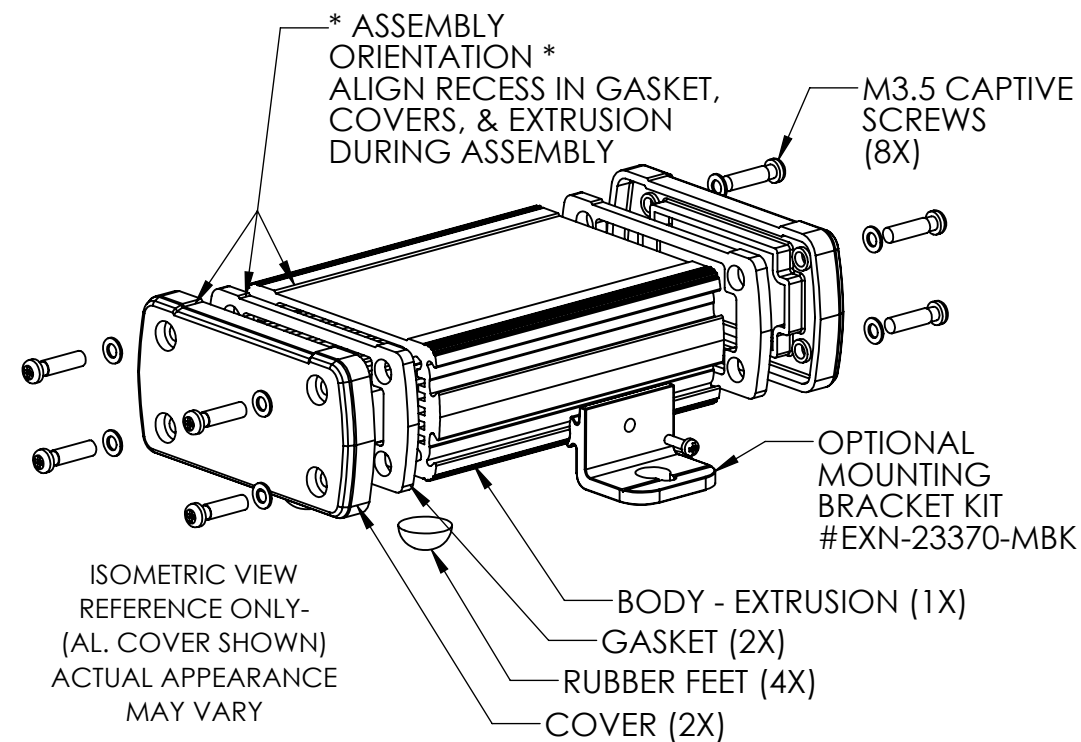
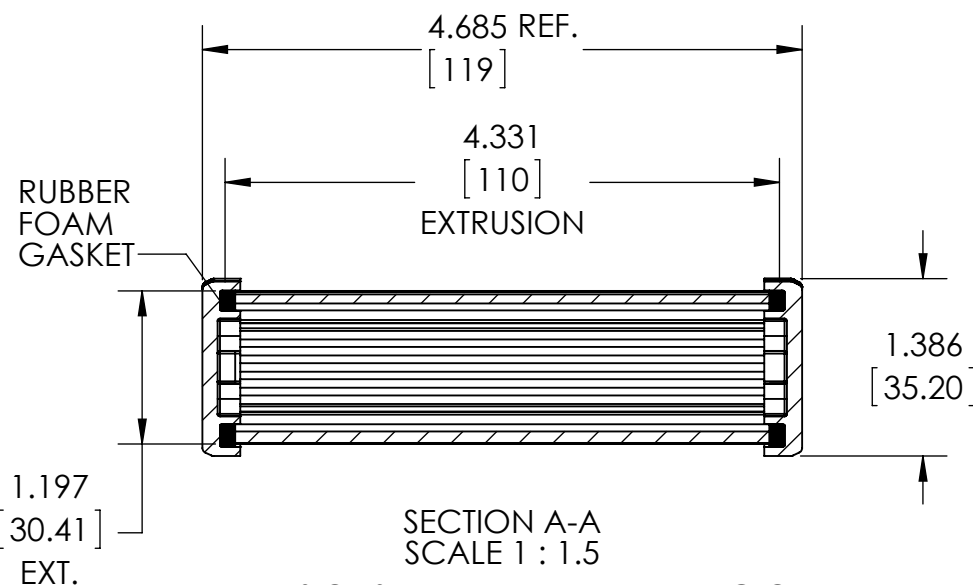
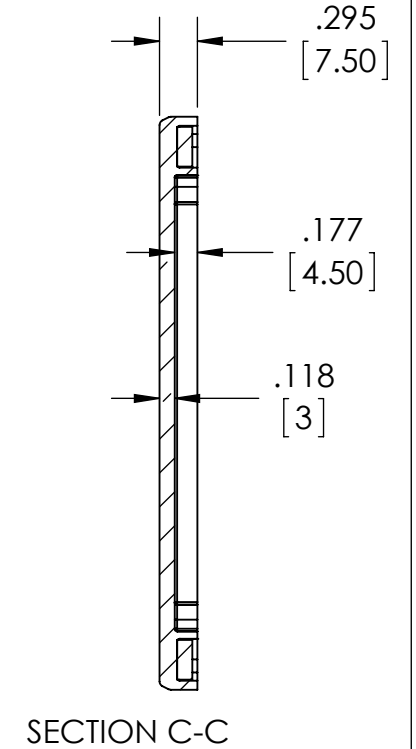
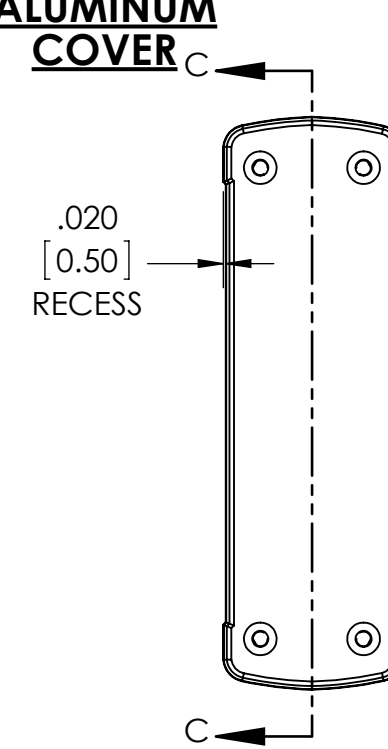
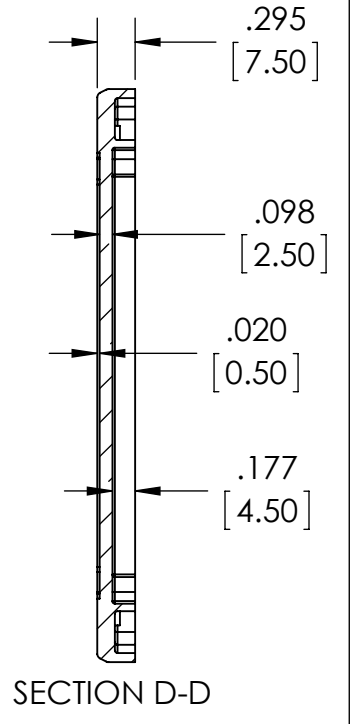
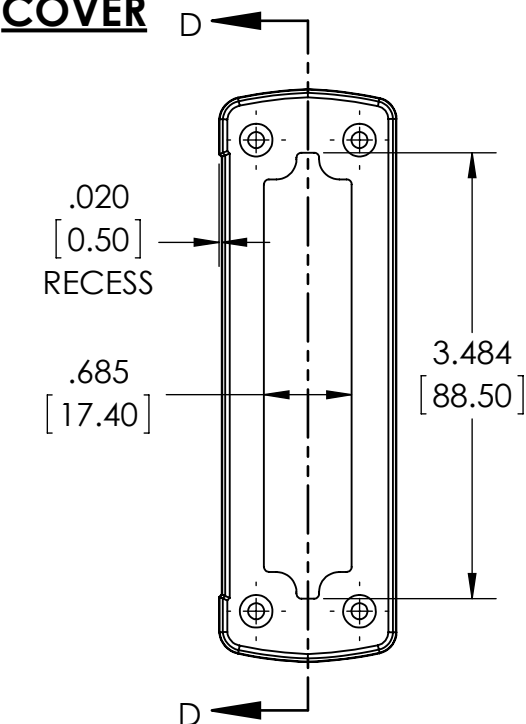
PART NUMBER	ALUM. COVER	PLASTIC COVER	BODY COLOR
EXN-23354-BK	BLACK	-	BLACK
EXN-23354-BKP	-	BLACK	BLACK
EXN-23354-BL	BLACK	-	BLUE
EXN-23354-BLP	-	TRANSLUCENT BLUE	BLUE
EXN-23354-GD	BLACK	-	GOLD
EXN-23354-GDP	-	CLEAR	GOLD
EXN-23354-RD	BLACK	-	RED
EXN-23354-RDP	-	IR RED	RED
EXN-23354-SV	BLACK	-	SILVER
EXN-23354-SVP	-	CLEAR	SILVER

MATERIAL: ALUMINUM EXTRUSION BODY PROVIDED  
ALUMINUM COVER (2X) AND GASKETS OR  
POLYCARBONATE COVER (2X) AND GASKETS - NOT ASSEMBLED

DIMENSIONS ARE INCH[MM]

**DRAWING FOR REFERENCE**

WE RESERVE THE RIGHT TO MAKE CHANGES TO OUR  
STANDARD PRODUCTS. PLEASE CONSULT WITH BUD INDUSTRIES  
PRIOR TO USING THIS DRAWING FOR DESIGN PURPOSE.

**DIE CAST ALUMINUM COVER****PLASTIC COVER**

DIMENSIONS MAY VARY DEPENDING ON  
THE COMPRESSION OF THE GASKETS