



Chipsmall Limited consists of a professional team with an average of over 10 year of expertise in the distribution of electronic components. Based in Hongkong, we have already established firm and mutual-benefit business relationships with customers from,Europe,America and south Asia,supplying obsolete and hard-to-find components to meet their specific needs.

With the principle of “Quality Parts,Customers Priority,Honest Operation,and Considerate Service”,our business mainly focus on the distribution of electronic components. Line cards we deal with include Microchip,ALPS,ROHM,Xilinx,Pulse,ON,Everlight and Freescale. Main products comprise IC,Modules,Potentiometer,IC Socket,Relay,Connector.Our parts cover such applications as commercial,industrial, and automotives areas.

We are looking forward to setting up business relationship with you and hope to provide you with the best service and solution. Let us make a better world for our industry!



Contact us

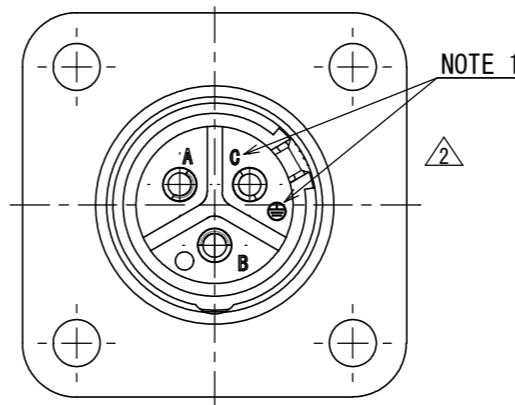
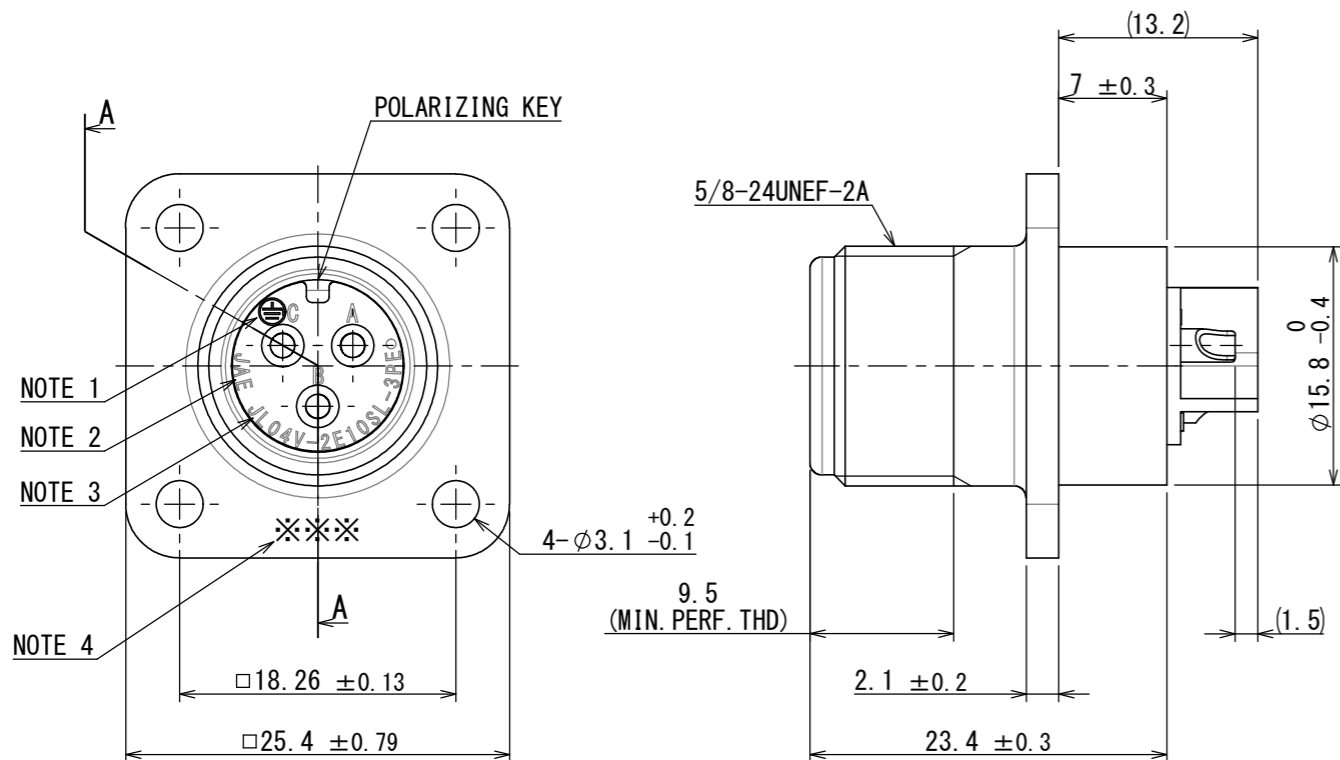
Tel: +86-755-8981 8866 Fax: +86-755-8427 6832

Email & Skype: info@chipsmall.com Web: www.chipsmall.com

Address: A1208, Overseas Decoration Building, #122 Zhenhua RD., Futian, Shenzhen, China



版数 VER.	年月日 DATE	CN NO.	変更内容 DESCRIPTION	製図 DR.	担当 CHK.	査閲 APPD.	承認 APPD.
2	09/OCT/2013	007767	CONFIGURATION CHANGE OF EARTH PIN	—	H. NAKAJIMA	H. EBIHARA	T. OKAMURA



DESIGNATION
命名法 **JL04V-2E10SL-3PE-B-R**

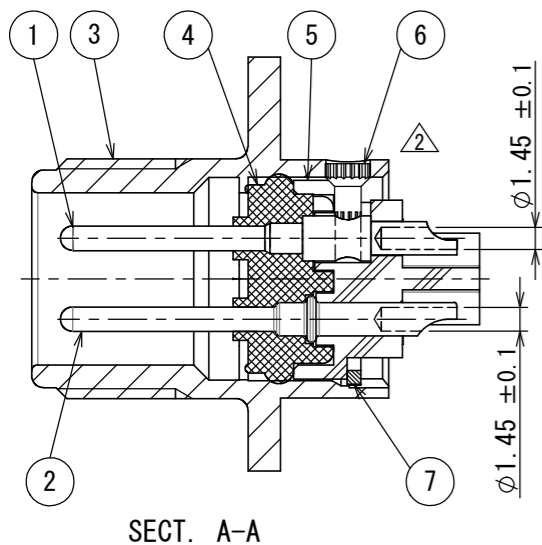
SERIES シリーズ名
RECEPTACLE レセプタクル
CLASS 単体防水構造
SHELL SIZE シェルサイズ
CONTACT ARRANGEMENT インサート名
PIN CONTACT ピンコンタクト
WITH PROTECTIVE EARTH CONTACT 保護回路接続構造有
COLOR OF SHELL: BLACK SYSTEM INTERFERENCE COLOR 外殻部品めっき色相 B: 黒色系干渉色
SUFFIX 特殊記号

NOTE 1. CONTACT POSITION NUMBER IS MARKED IN THE AREA SHOWN. EARTH MARK (⊕) IS MARKED NEAR BY CONTACT No. "C".
 2. COMPANY LOGO "JAE" APPEARS IN THE AREA SHOWN.
 3. PART NUMBER IS MARKED IN THE AREA SHOWN. "B-R" IS NOT MARKED.
 4. PRODUCTION LOT NUMBER ARE MARKED AS INDICATED. ※※※

注1. 図示の位置に端子番号を表示する。又、保護回路接続 (C端子) は⊕で表す。
 2. 図示の位置に社名を表示する。【JAE】
 3. 図示の位置に品名を表示する。但し、品名末尾の "B-R" は表示しない。【JL04V-2E10SL-3PE】
 4. 図示の位置に製造ロットNo. を表示する。 ※※※

MANUFACTURER MONTH (1~9, X, Y, Z)
(JAN. ~SEP., OCT., NOV., DEC.)
 MANUFACTURER YEAR ('04, '05, '06, ...)

製造月 (1~9月, X: 10月, Y: 11月, Z: 12月)
 製造年 ('04, '05, '06, ...)



SPECIFICATION

NUMBER OF CONTACT : 3 × #16
 RATED VOLTAGE : 200VAC POLLUTION DEGREE: 3
 OVER VOLTAGE CATEGORY: III
 RATED CURRENT : 13A MAX. / ONE CONTACT.
 DIELECTRIC WITHSTANDING VOLTAGE : 2000VAC (1 MINUTE)
 INSULATION RESISTANCE : 1000MΩ MIN. (AT 500VDC)
 APPLICABLE WIRE : 0.5mm² MAX.
 AIR LEAKAGE : NO LEAKAGE OF AIR AT 2.9 × 10⁴ Pa APPLIED TO MATING SIDE FOR 1 MIN.

仕様

コンタクト : #16コンタクト 3本
 定格電圧 : 200VAC (汚染度: 3/過電圧範疇: III)
 定格電流 : 13A以下/1芯
 耐電圧 : 2000VAC (1分間)
 絶縁抵抗 : 1000MΩ以上 (500VDCにて)
 適用電線 : 0.5mm²以下
 気密性 : 2.9 × 10⁴ Paの圧力にて漏れなきこと。(1分間、嵌合部より)

符号 NO.	名称 DESCRIPTION	個数 QTY.	材料 MATERIAL	仕上 FINISH	備考 REMARKS
7	RETAINING RING	1	COPPER ALLOY	ZINC PLATING	COLOR: BLACK SYSTEM INTERFERENCE COLOR
6	EARTH PIN	1	COPPER ALLOY	NICKEL PLATING	
5	REAR INSULATOR	1	SYNTHETIC RESIN	—	COLOR : BLACK
4	FRONT INSULATOR	1	SILICONE RUBBER	—	COLOR : BLACK
3	SHELL	1	ALUMINUM ALLOY	ZINC PLATING	COLOR: BLACK SYSTEM INTERFERENCE COLOR
2	CONTACT (LINE)	2	COPPER ALLOY	SILVER PLATING	CONTACT No. : A, B
1	CONTACT (EARTH)	1	COPPER ALLOY	SILVER PLATING	CONTACT No. : C

特別管理品目
SPECIAL CONTROL ITEM
TUV

仕様書 (SPECIFICATION) JACS-5079 T95-4	第1版 (ORIGINAL DATE) 15/DEC/2005	尺度 (SCALE) 2:1	シリーズ (SERIES) JL04V	日本航空電子工業株式会社 JAPAN AVIATION ELECTRONICS INDUSTRY, LTD.	図面番号 (DRAWING NO.) SJ105355	版数 (VER.) 2
一般公差 (GENERAL TOLERANCE) 寸法 (DIMENSION) × ± 0.8 × × ± 0.4 × × × ± 0.1 × × × × ±	角度 (ANGLES) ×° ± ×° ×' ±	製図 DR. —	名称 (TITLE) JL04V-2E10SL-3PE-B-R	担当 CHK. T. SUZUKI	質量 (MASS) —	承認 APPD. A. ONOGAWA
製造 DR. —	査閲 APPD. E. MATSUMOTO	承認 APPD. A. ONOGAWA	品質 (QUALITY) —	承認 APPD. A. ONOGAWA	品質 (QUALITY) —	承認 APPD. A. ONOGAWA